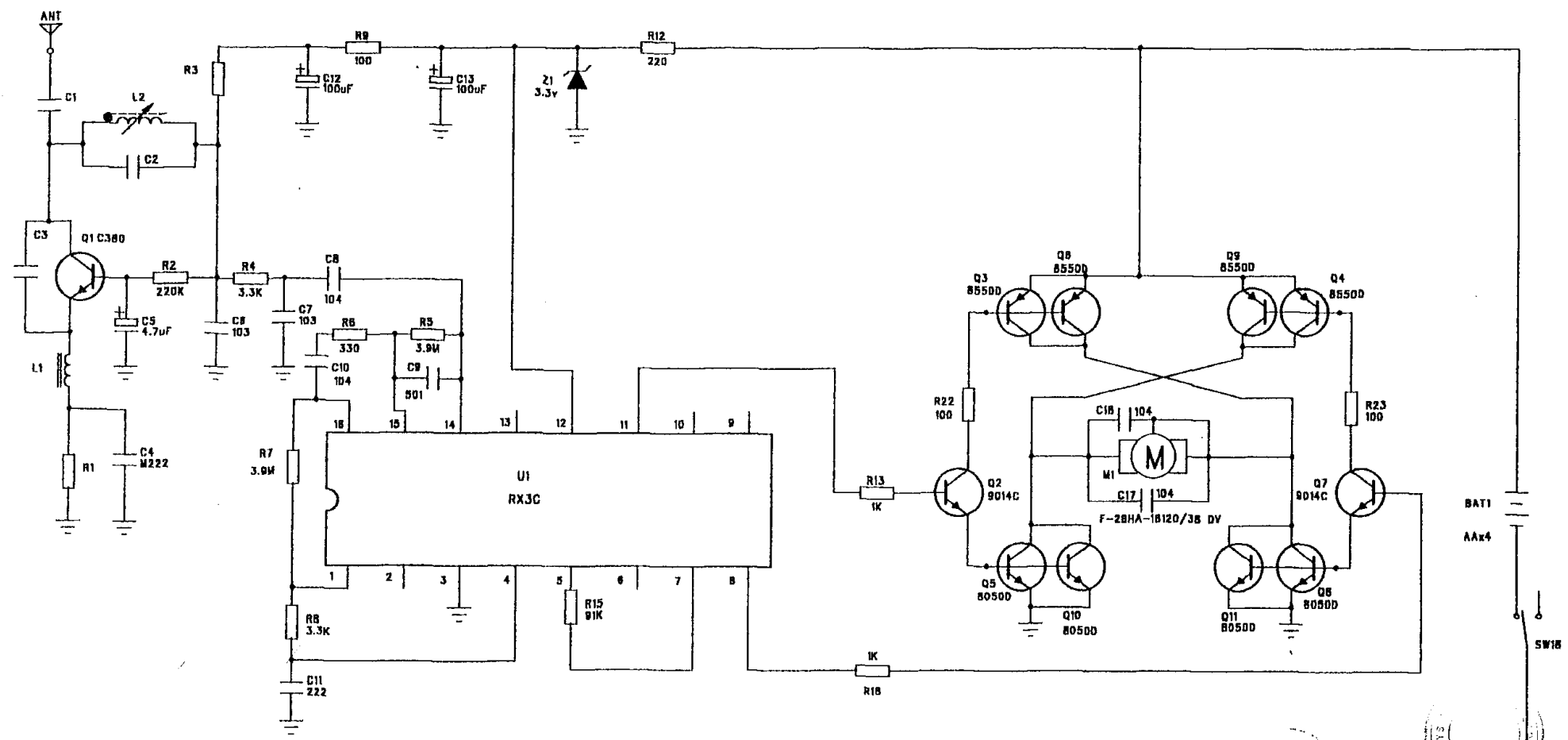


REV	DETAIL OF CHANGE	DATE	APPROVED BY
EF			4/7

ED82081-RX-FEP-B.sch-1 - Mon Dec 17 17:21:37 2001

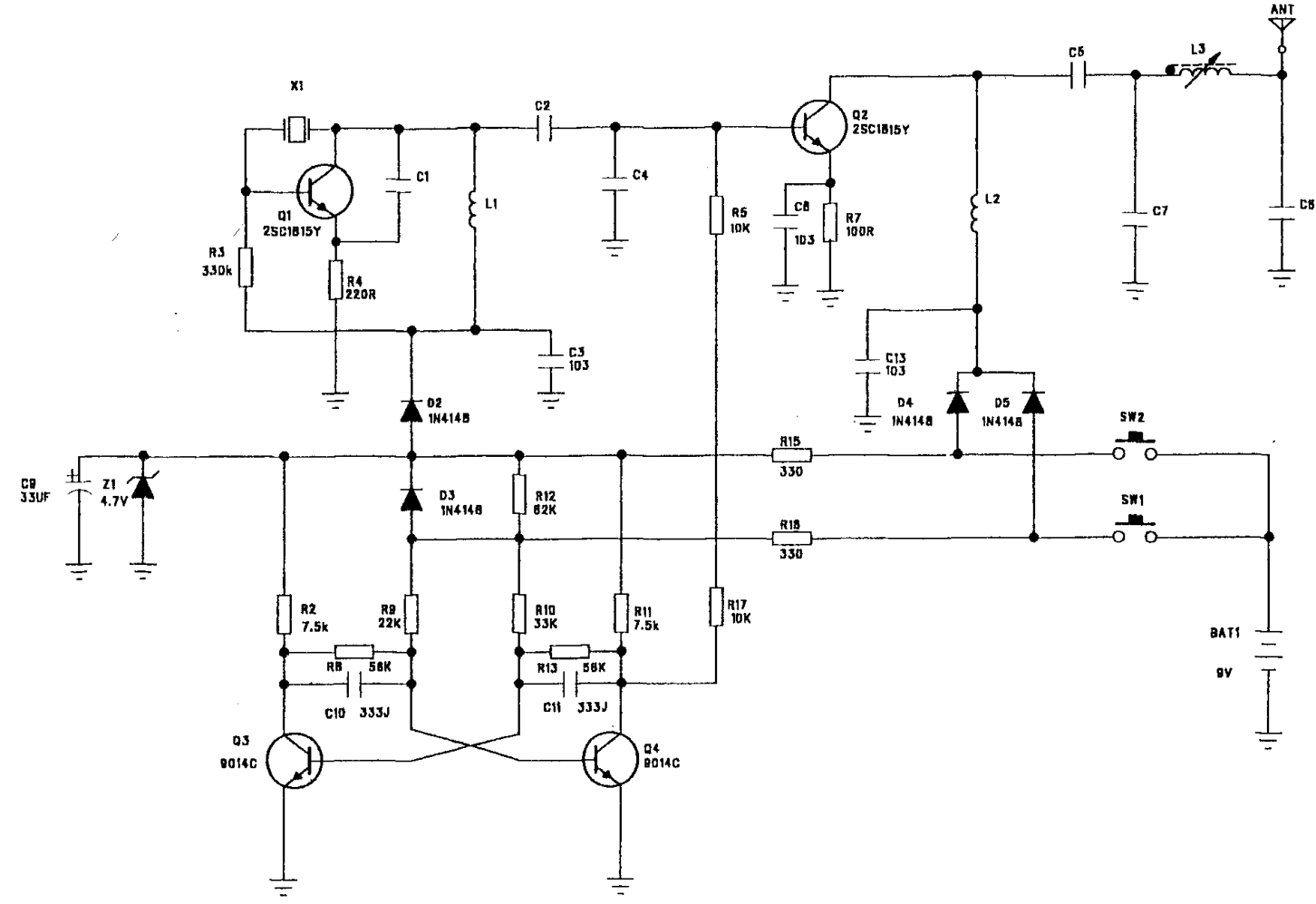


	C1	C2	C3	R1	L1	L2	R3
27.145MHz	8P	18P	47P	B20	5.6uH	11.5T	3.3K
40.880MHz	5P	18P	27P	B20	3.3uH	8.5T	4.7K
49.860MHz	3P	10P	27P	B20	3.3uH	8.5T	4.7K

 Silverlit Toys Manufacturing Ltd. 28th Floor, 38 Russell Street, Causeway Bay, Hong Kong				DWG. NAME	SCHEMATIC CIRCUIT
				DWG. NO.	FB2081-504
ITEM NO.	B2081	ITEM NAME	R/C Tricycle (RX)		
				DRAWN/DATE	CWF/DEC.16/01
				CHK/DATE	
SIZE	A4	PAGE	1 OF 1	APP/DATE	

REV	DETAIL OF CHANGE	DATE	APPROVED BY
C			

82081-TX-EP3-03.sch-1 - Mon Dec 10 17:35:35 2001



	C1.C2.C5	C4	C6	C7	L1	L2	L3	X1
27.145MHz	47P	47P	3P	68P	2.2uH	2.2uH	21T	27.145MHz
40.680MHz	18P	39P	15P	47P	2.2uH	1uH	9T	40.680MHz
49.860MHz	18P	39P	8P	33P	1uH	1uH	9T	49.860MHz

Silverlit Toys Manufacturing Ltd.
26th Floor, 38 Russell Street, Causeway Bay, Hong Kong

DWG. NAME: SCHEMATIC CIRCUIT

DWG. NO.: FB2081-505

ITEM NO. 82081		ITEM NAME R/C Tricycle (TX)	
		DRAWN/DATE	CWF/DEC.07/01
		CHK/DATE	
SCALE	PAGE 1	OF 1	APP/DATE

