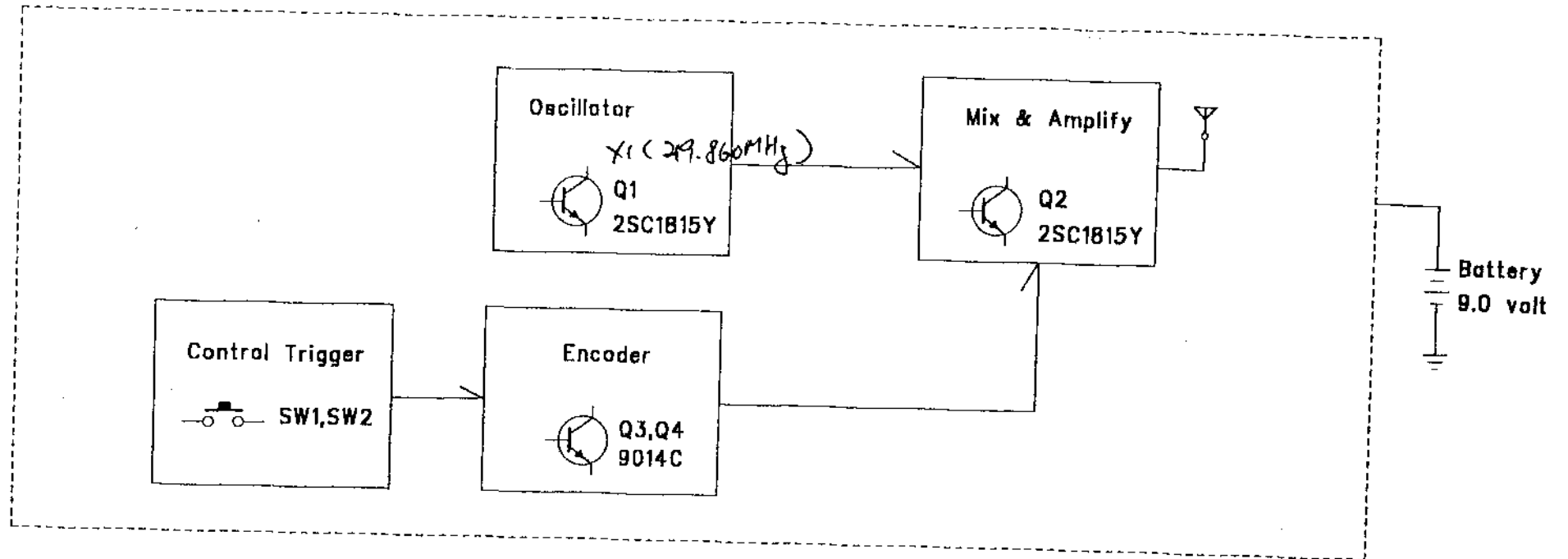


REV	DETAIL OF CHANGE	DATE	APPROVED BY
B			<i>[Signature]</i>

Project no: 82081
 Project Name: R/C Tricycle
 Date: DEC.16/01
 Version: 2
 Transmit frequency: 49.860MHZ



Technical description :

- Encoding signal will be generated by Q3,Q4 when pull the trigger, and it will mixed & amplified with carrier frequency by Q2,
- Modulating signal will be transmitted through antenna network.

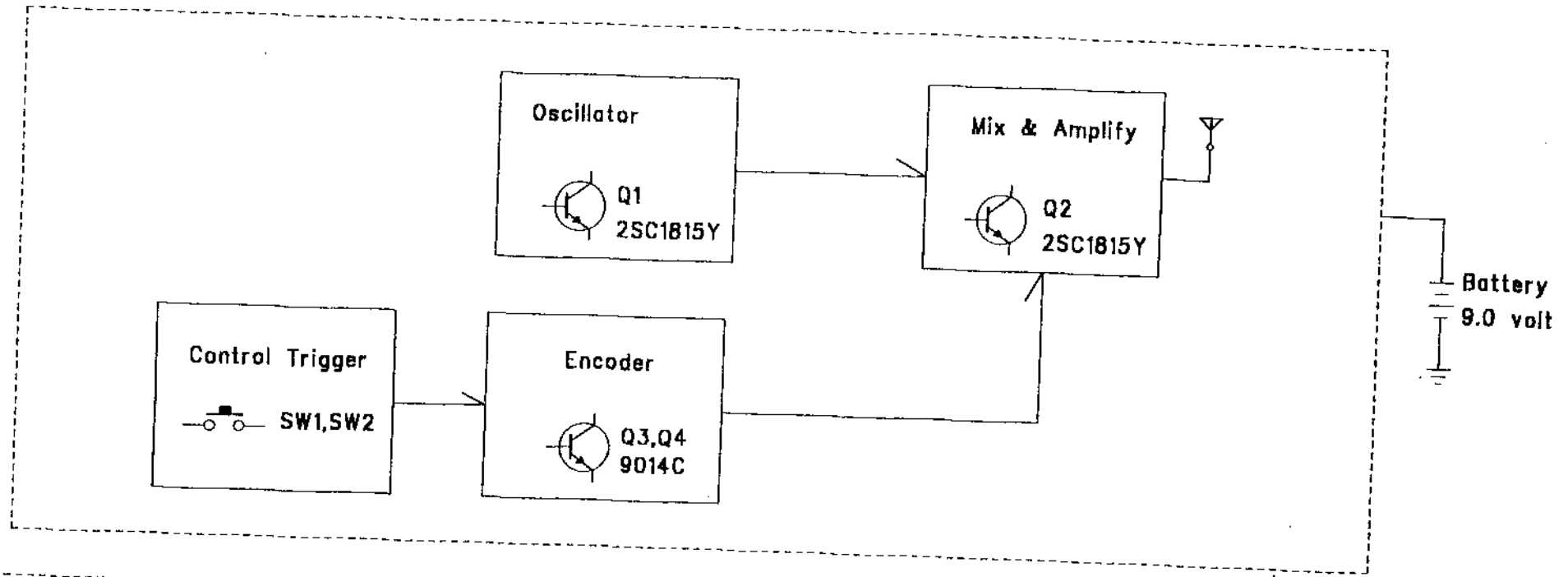


 <small>Silverlit Toys Manufactory Ltd. 28th Floor, 38 Russell Street, Causeway Bay, Hong Kong</small>		DWG. NAME	Block diagram
		DWG. NO.	
ITEM NO.	82081	ITEM NAME	R/C Tricycle (TX)
		DRAWN/DATE	
		CHK/DATE	
SCALE		PAGE	1 OF 1
		APP/DATE	

2081TX-Block-49A.sch-1 - Mon Dec 17 17:21:17 2001

Project no: 82081
 Project Name: R/C Tricycle
 Date: DEC.16/01
 Version: 2
 Transmit frequency: 27.145MHZ

REV	DETAIL OF CHANGE	DATE	APPROVED BY
B			<i>[Signature]</i>



Technical description :

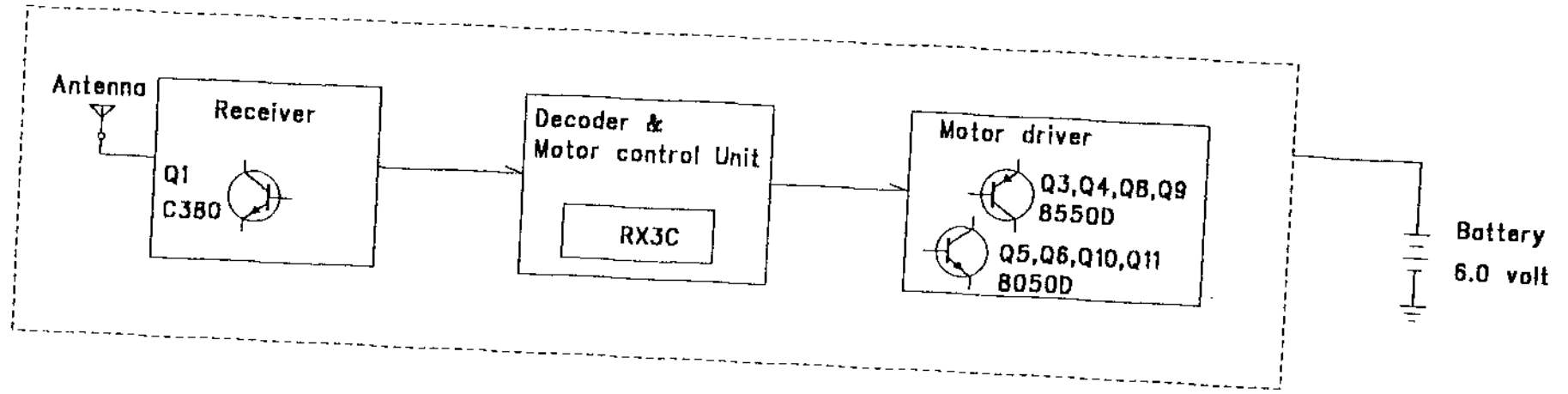
- Encoding signal will be generated by Q3,Q4 when pull the trigger, and it will mixed & amplified with carrier frequency by Q2,
- Modulating signal will be transmitted through antenna network.

 <small>Silverlit Toys Manufactory Ltd. 28th Floor, 38 Russell Street, Causeway Bay, Hong Kong</small>		DWG. NAME	Block diagram
		DWG. NO.	
ITEM NO.	82081	ITEM NAME	R/C Tricycle (TX)
		DRAWN/DATE	
		CHK/DATE	
SCALE		PAGE	1 OF 1
		APP/DATE	

22081TX-Block-27A.sch-1 - Mon Dec 17 17:20:50 2001

REV	DETAIL OF CHANGE	DATE	APPROVED BY
B			

Project no: 82081
 Project Name: R/C Tricycle
 Date: DEC.16/01
 Version: 1
 Transmit frequency: 49.860MHZ



Technical description
 -Modulating signal will be picked up and decoded by RX3, then the control signal will driver the motor.

 <small>Silverlit Toys Manufacturing Ltd. 26th Floor, 38 Russell Street, Causeway Bay, Hong Kong</small>		DWG. NAME	Block diagram
		DWG. NO.	
ITEM NO.	82081	ITEM NAME	R/C Tricycle (RX)
		DRAWN/DATE	
		CHK/DATE	
SCALE		PAGE	1 OF 1
		APP/DATE	

2081RX-Block-49A.sch-1 - Mon Dec 17 17:20:12 2001