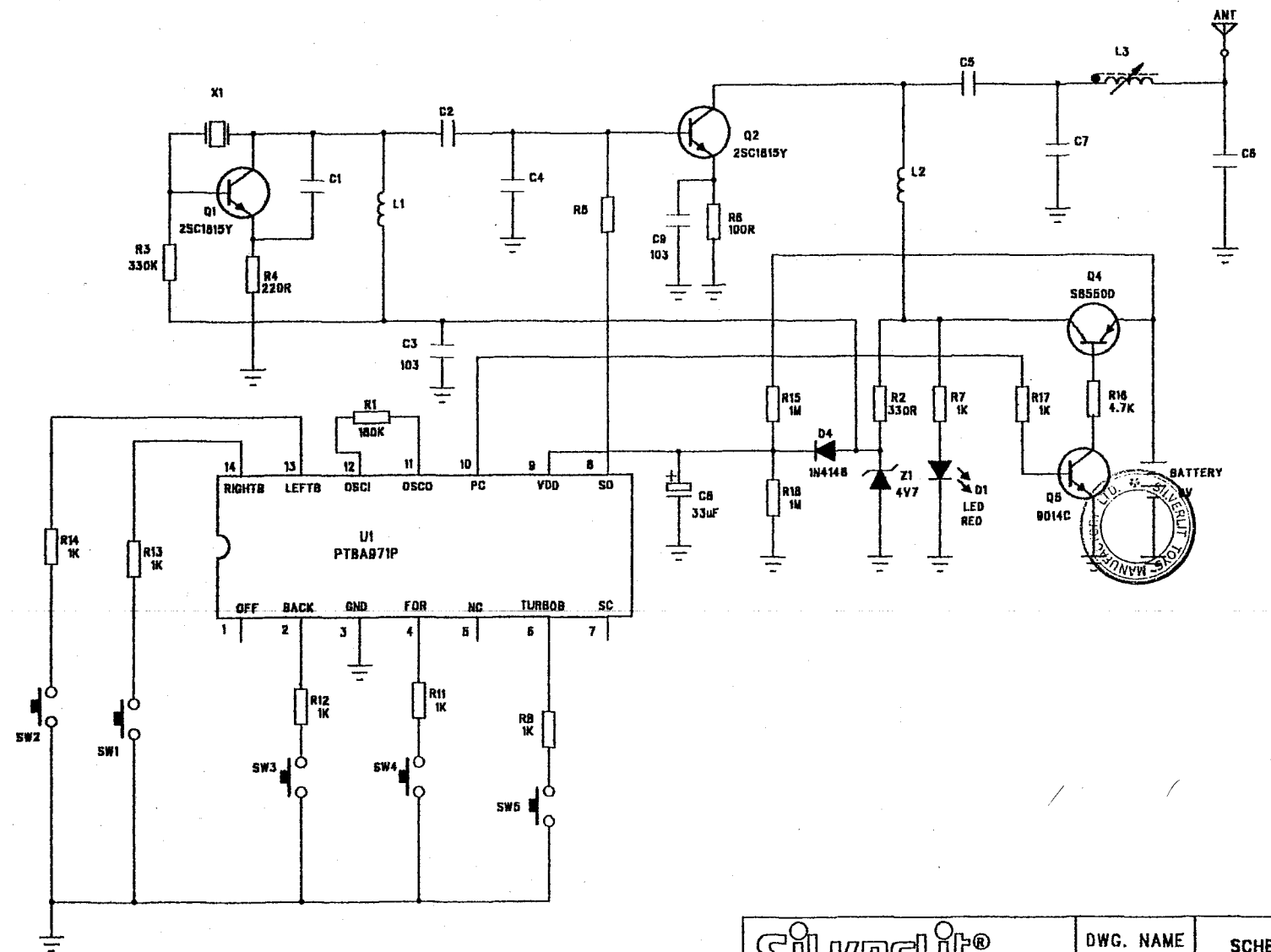
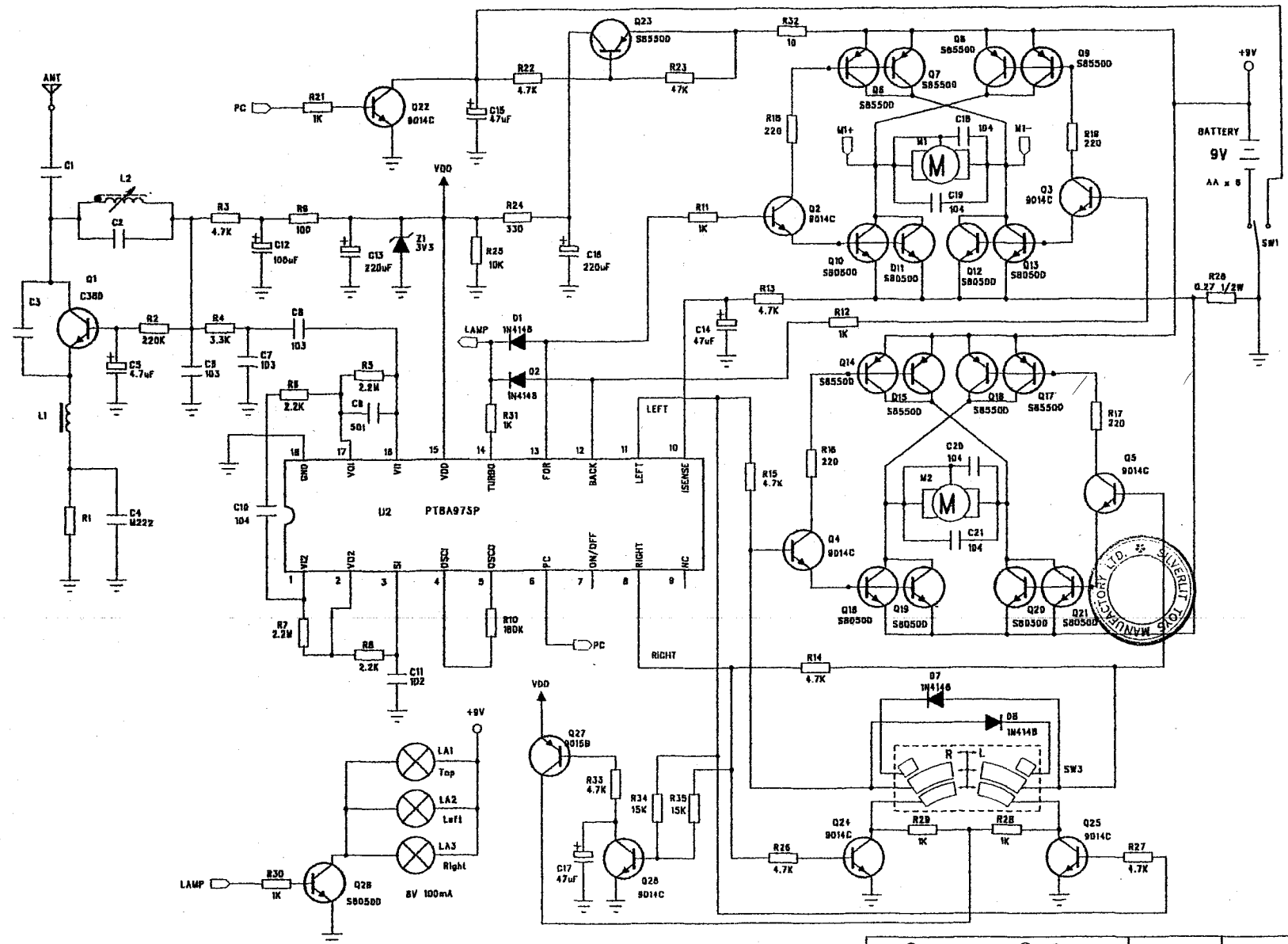


REV	DETAIL OF CHANGE	DATE	APPROVED BY
B			



	C1.C2.C4.C5	C6	C7	L1	L2	L3	X1	R5
27.145MHz	47P	10P	68P	2.2uH	2.2uH	21T	27.145MHz	10K
40.680MHz	18P	10P	68P	2.2uH	1uH	9T	40.680MHz	6.8K
49.860MHz	18P	5P	47P	1uH	1uH	9T	49.860MHz	10K

 Silverlit Toys Manufacturing Ltd. 25th Floor, 38 Russell Street, Causeway Bay, Hong Kong			DWG. NAME	SCHEMATIC CIRCUIT
			DWG. NO.	F82071-502
ITEM NO.	82071	ITEM NAME	Twisting Vehicle (TX)	
			DRAWN/DATE	Sam/Dec-25-2001
			CHK/DATE	
SCALE		PAGE	1 OF 1	APP/DATE



	C1	C2	C3	R1	L1	L2
27.145MHz	8P	18P	39P	820	5.6uH	11.5T
40.880MHz	5P	18P	27P	820	3.3uH	6.5T
49.880MHz	3P	10P	27P	820	3.3uH	6.5T

**Silverlit®**  
 Silverlit Toys Manufacturing Ltd.  
 26th Floor, 38 Russell Street, Causeway Bay, Hong Kong

DWG. NAME	SCHEMATIC CIRCUIT	
DWG. NO.	FB2071-501	
ITEM NO.	82071	ITEM NAME
		Twisting Vehicle (RX)
		DRAWN/DATE
		Sam/Dec-25-2001
		CHK/DATE
SCALE	PAGE	1 OF 1
		APP/DATE