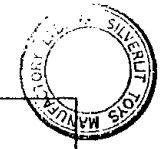
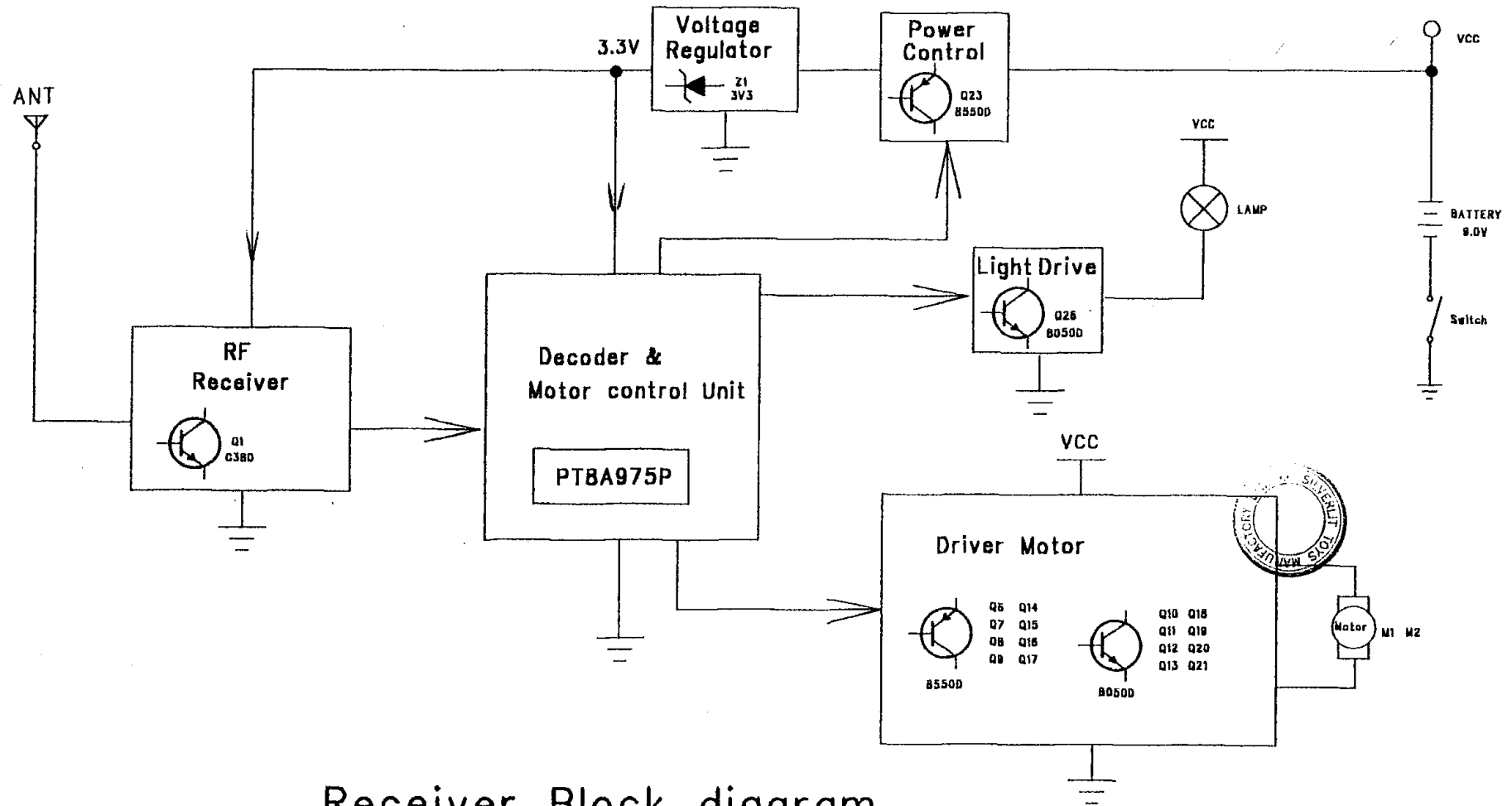


Transmitter Block diagram

Technical description	encoding signal will be generated by IC-PT8A971P when pressing a function key and move the joystyck, it will be mixed with carry frequency and amplified by Q2 Modulating signal will be transmitted through antenna network
-----------------------	--



Silverlit® Silverlit Toys Manufactory Ltd. 26th Floor, 36 Russell Street, Causeway Bay, Hong Kong		DWG. NAME	BLOCK DIAGRAM
		DWG. NO.	
ITEM NO.	82071	ITEM NAME	Twisting Vehicle
Transmit frequency :		DRAWN/DATE	Sam/Dec-25-2001
49.860MHz		CHK/DATE	
SCALE		PAGE	1 OF 1
		APP/DATE	



Receiver Block diagram

Technical description	Modulating signal will be picked up by RF receiver and decoded by PT8A975P, IC has the function of driving motor, M1 at front provide forward and backward M2 at waist provide turn right and left action
-----------------------	---

 <small>Silverlit Toys Manufactory Ltd. 28th Floor, 38 Russell Street, Causeway Bay, Hong Kong</small>		DWG. NAME	BLOCK DIAGRAM
		DWG. NO.	
ITEM NO.	82071	ITEM NAME	Twisting Vehicle
Receive frequency :		DRAWN/DATE	Sam/Dec-25-2001
		49.860MHz	CHK/DATE
SCALE		PAGE	1 OF 1
		APP/DATE	