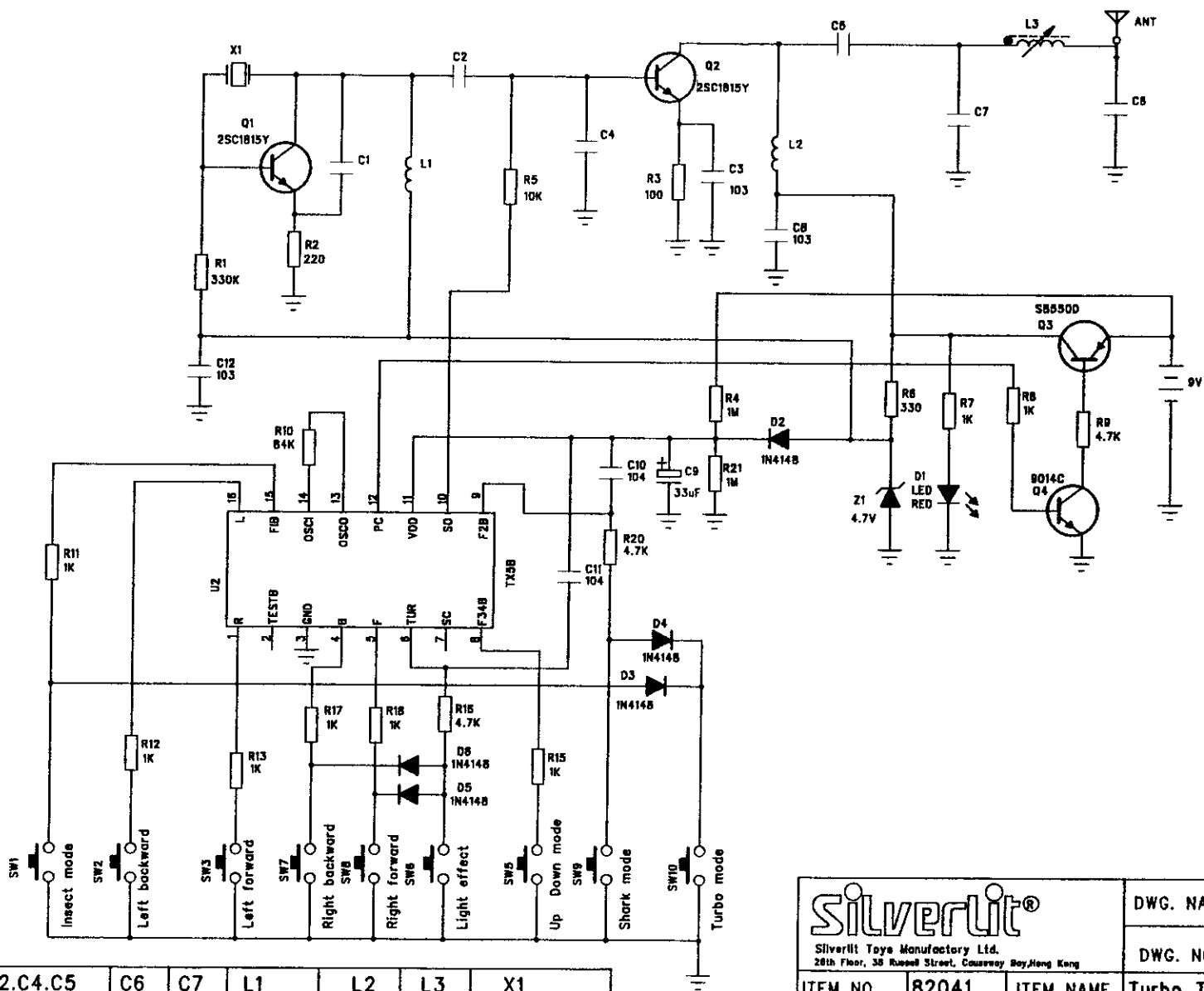


REV	DETAIL OF CHANGE	DATE	APPROVED BY
A			



	C1.C2.C4.C5	C6	C7	L1	L2	L3	X1
27.145MHz	47P	10P	68P	2.2uH	2.2uH	15T	27.145MHz
40.680MHz	18P	10P	68P	2.2uH	1uH	11T	40.680MHz
49.860MHz	18P	5P	47P	1uH	1uH	11T	49.860MHz

		DWG. NAME	SCHEMATIC CIRCUIT
		DWG. NO.	F82041-502
ITEM NO.	82041	ITEM NAME	Turbo Twister (TX)
		DRAWN/DATE	Som/JUL-20-2001
		CHK/DATE	
SIZE	A4	PAGE	1 OF 1
		APP/DATE	