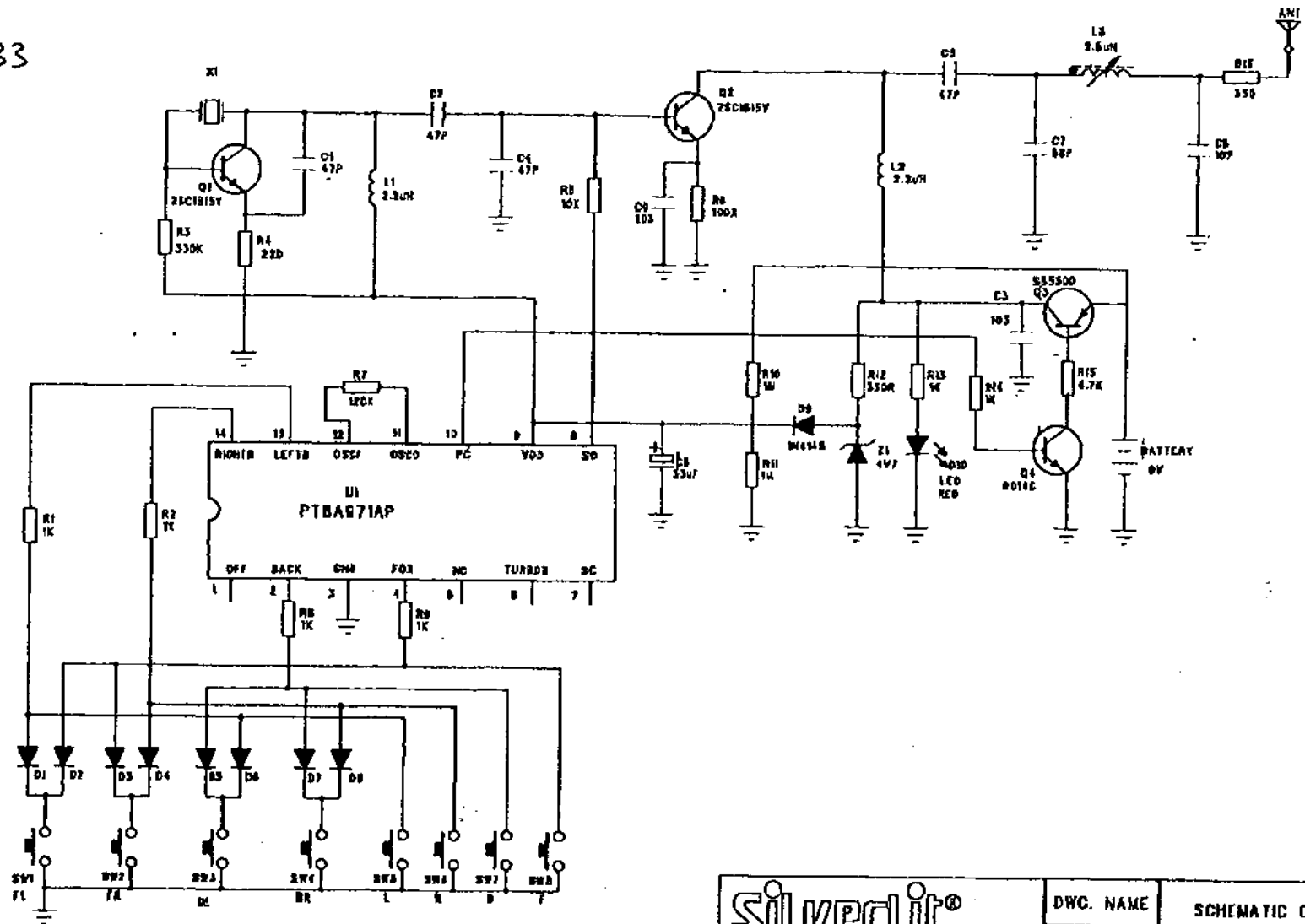


To: Ivan Wong (第6页)

Proj. 27429149

Re: Job# 0100533



	C1,C2,C4,C5	C6	C7	L1	L2	L3	X1
27.145MHz	47P	10P	68P	2.2uH	2.2uH	21T	27.145MHz
40.680MHz	18P	10P	68P	2.2uH	1uH	9T	40.680MHz
49.860MHz	18P	5P	47P	1uH	1uH	9T	49.860MHz

REV	DESCRIPTION	DATE	REVISION
B			

		DWG. NAME	SCHEMATIC CIRCUIT
		DWG. NO.	F82051-502
ITEM NO.	B2051	ITEM NAME	SCOOTER & REMOTE (TX)
		DRAWN/DATE	ZJZ/JAN-17-2001
		CHK/DATE	
SCALE		PAGE	1 OF 1
		APP/DATE	