

!!! Fax: 27429199 21738577

Date: May 25-2000

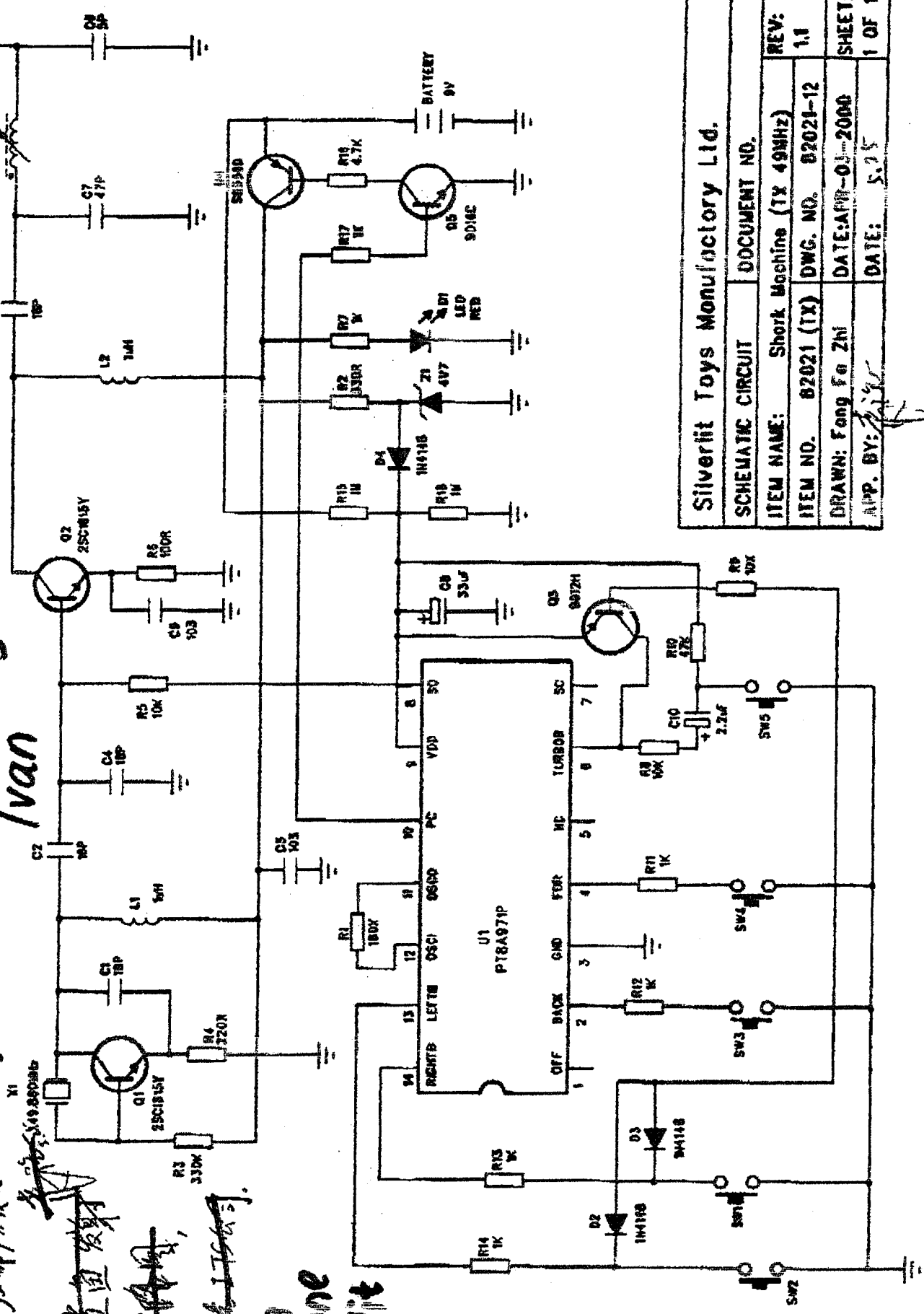


TO ITS. Mr Wong Ivan

~~To: Mr Wong~~
~~From: Mr Wong~~
~~Subject: 香港玩具公司~~
~~From: Mr Wong~~

提提提 ITS 公司

From Yvonne Silverlit



Silverlit Toys Manufactory Ltd.	
SCHEMATIC CIRCUIT	DOCUMENT NO.
ITEM NAME: Shark Machine (TX 49MHz)	REV: 1.1
ITEM NO. 02021 (TX)	DWG. NO. 02021-12
DRAWN: Fong Fo Zhi	DATE: APR-01-2000
APP. BY: <i>[Signature]</i>	DATE: 5.25
SHEET: 1 OF 1	