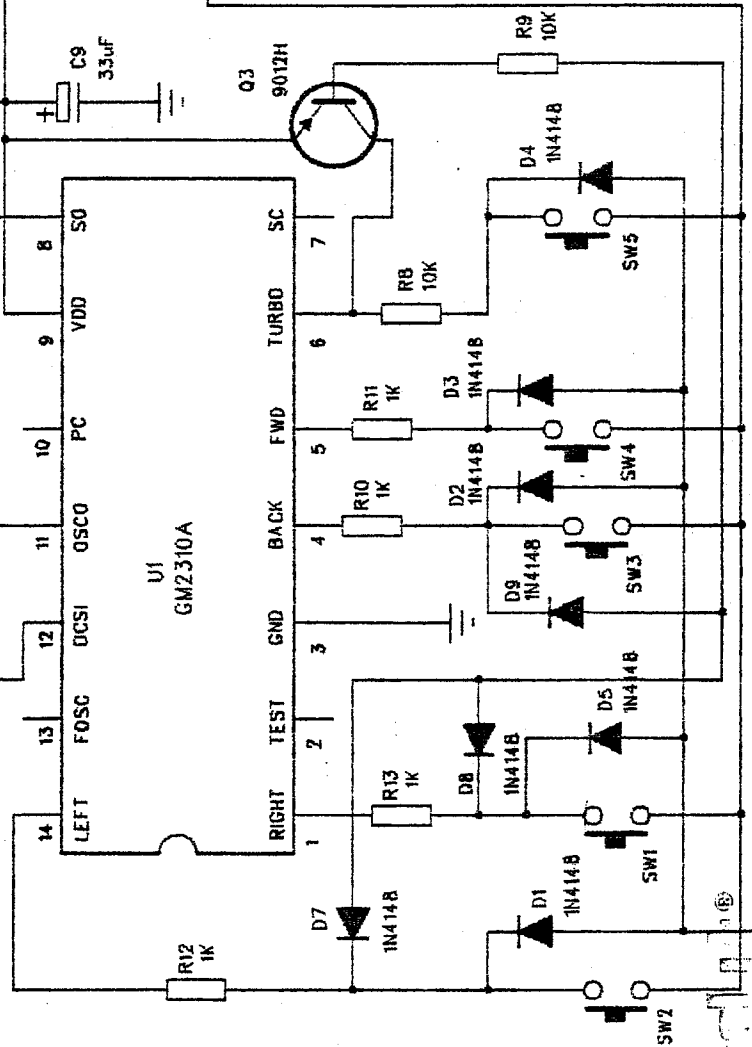


C1	27.145MHz	C2	18P	C3	103	C4	18P	C5	18P	C6	103	C7	5P	C8	47P	C9	33uF		
L1	1uH	L2	1uH	L3	1uH	R1	180K	R2	100R	R3	150K	R4	330R	R5	10K	R6	10K	R7	100R
Q1	2SC1815Y	Q2	2SC1815Y	Q3	9012H	Z1	3V3	D1	1N4148	D2	1N4148	D3	1N4148	D4	1N4148	D5	1N4148	D6	LED RED
X1	49.860MHz																		

Silverlit Toys Manufactory Ltd.

SCHEMATIC CIRCUIT		DOCUMENT NO.	
ITEM NAME: Transzformer			
ITEM NO.	82011 (TX)	DWG. NO.	82011-10
DRAWN:	Fang Fa Zhi	DATE:	MAR-02-2000
APP. BY:	<i>[Signature]</i>	DATE:	
REV: 1.0		SHEET: 1 OF 1	



1/7