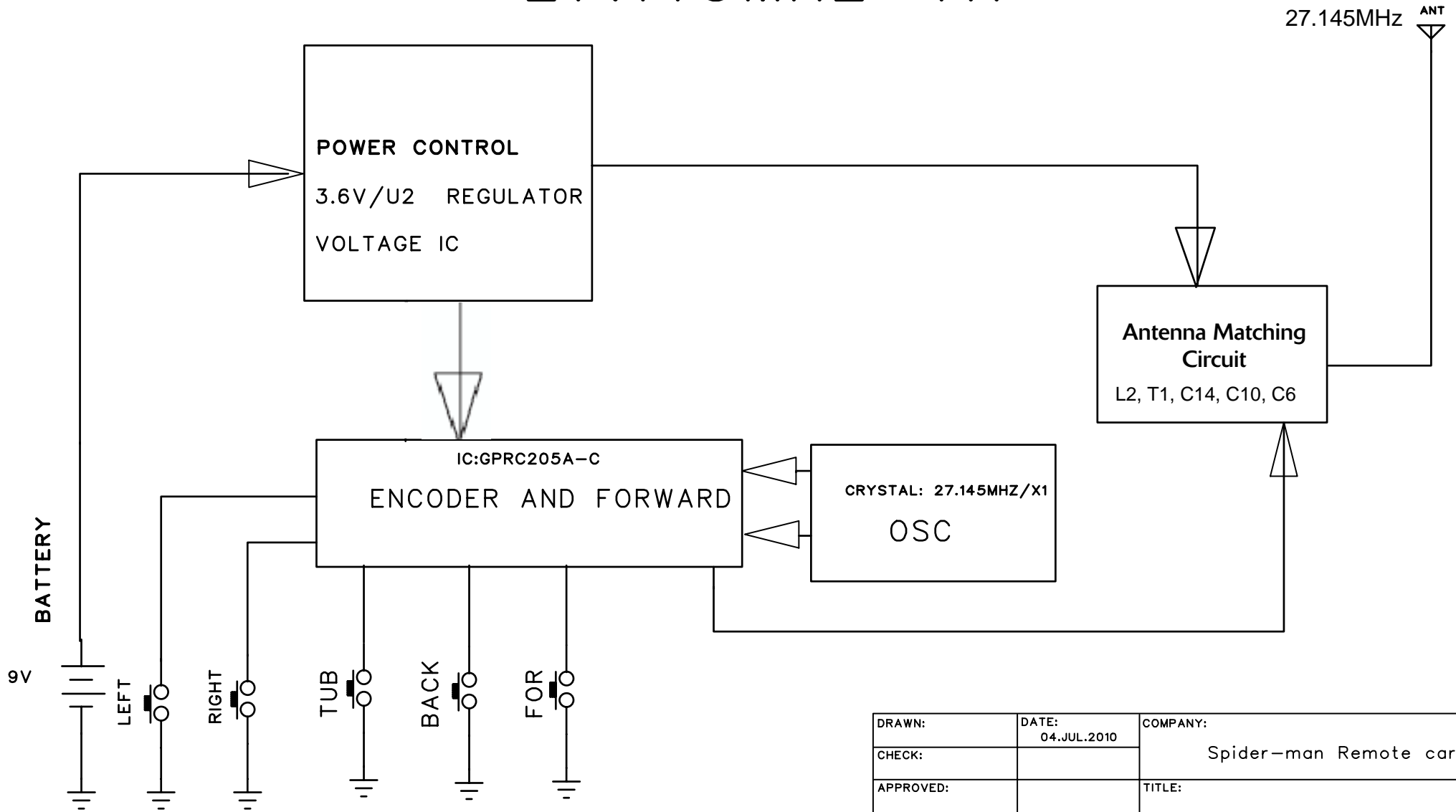


SPIDER-MAN REMOTE CAR

27.145MHZ-TX



DRAWN:	DATE: 04.JUL.2010	COMPANY: Spider-man Remote car
CHECK:		
APPROVED:		TITLE: TX 27MHZ
ENG:		
RELEASED:		REV: 0 DWG NO:

FIVE FUNCTIONS REMOTE CONTROL ENCODER/DECODER PAIRS

1. GENERAL DESCRIPTION

The GPRC205A, a RC encoder, is able to encode five lines of binary information into a serial bit-stream data. When any of the 5-line information is activated, built-in crystal oscillator and power amplifier will be enabled to deliver the encoded bit-stream data. After the 5-line information becomes inactive, the GPRC205A will transmit additional fifteen data frames to increase transmission reliability.

With GENERALPLUS state-of-the-art technology and strong support, GPRC205A is the simplest and most suitable product for your RC product.

2. FEATURES

- Operating voltage
 - 2.2V - 5.5V operation
- Built-in R-oscillator (a 5% resistor required)
- Low standby and operating current
 - $I_{STBY} < 1.0\mu A$, R-oscillator stops
 - $I_{OPERATE} < 15mA$, R-oscillator free run, crystal & PA on
- Built-in power on reset
- Built-in Crystal & PA
- 5-function I/O pins
- $2^5 = 32$ encoding
- Variable frame rates controlled by external resistor

3. BLOCK DIAGRAM

