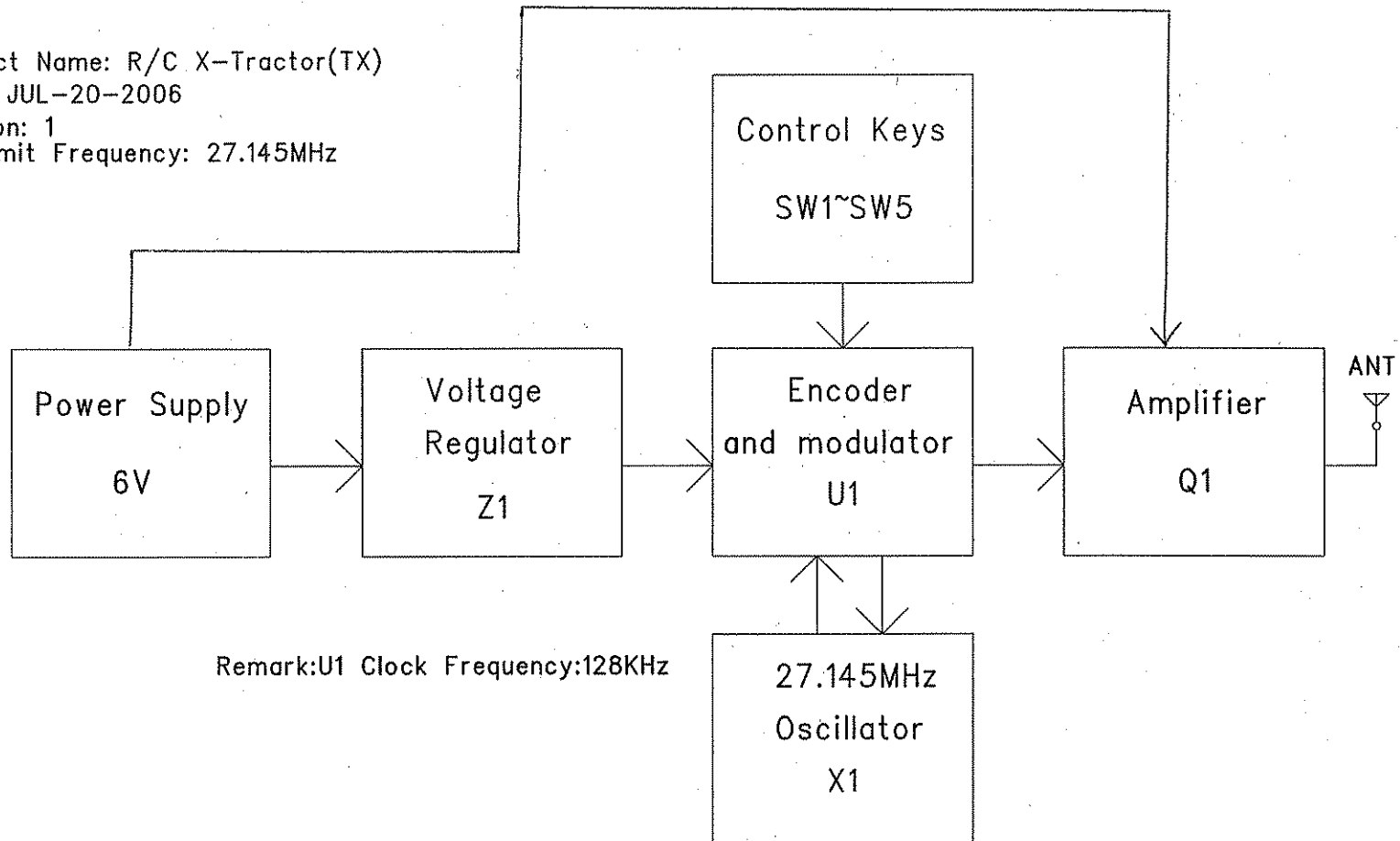


Project Name: R/C X-Tractor(TX)
 Date: JUL-20-2006
 Version: 1
 Transmit Frequency: 27.145MHz



Remark:U1 Clock Frequency:128KHz

Technical description :

- Encoding signal will be generated by U1 ,and it will be Amplified with carrier frequency by Q1,
- Modulating signal will be transmitted through antenna network.

Silverlit® <small>Silverlit Toys Manufactory Ltd. 1701-03, World Trade Centre, 280 Gloucester Road, Causeway Bay, Hong Kong.</small>		DWG. NAME	Block diagram
ITEM NAME	R/C X-Tractor(TX)		
27.145MHz		DRAWN/DATE	Agen/JUL20-2006
		CHK/DATE	Bin/JUL20-2006
PAGE	1 OF 1	APP/DATE	Owen/JUL20-2006