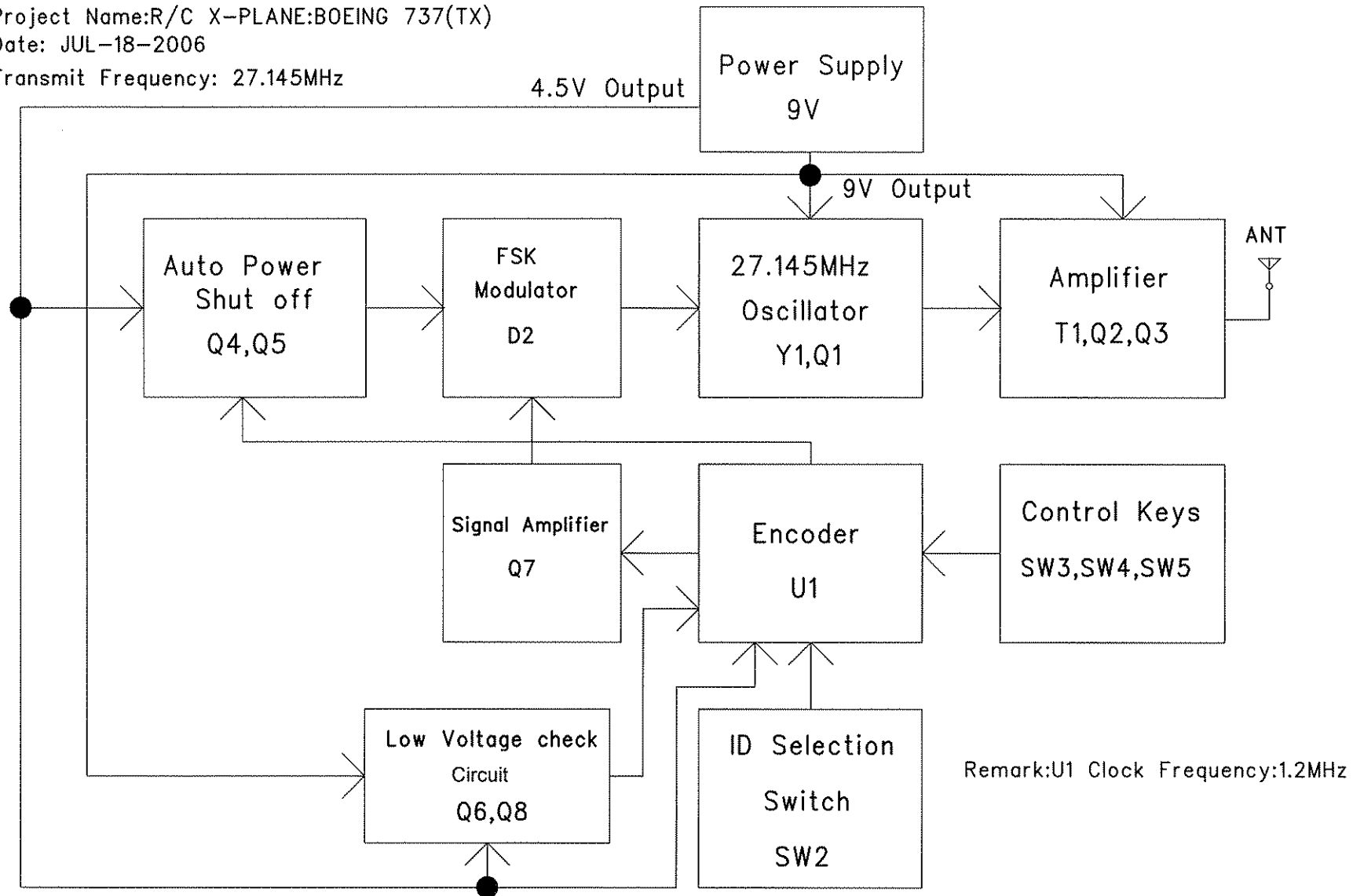



Project Name:R/C X-PLANE:BOEING 737(TX)  
 Date: JUL-18-2006  
 Transmit Frequency: 27.145MHz



Technical description :

- Encoding signal will be generated by U1 ,and it will be mixed & Amplified with carrier frequency by Q2,Q3,T1
- Modulating signal will be transmitted through antenna network.

 Silverlit Toys Manufacturing Ltd. 1701-03, World Trade Centre, 280 Gloucester Road, Causeway Bay, Hong Kong.		DWG. NAME	Block diagram
ITEM NAME		R/C X-PLANE:BOEING 737(TX)	
Block diagram(TX)		DRAWN/DATE	Agen/JUL18-2006
		CHK/DATE	Jake/JUL18-2006
PAGE	1 OF 1	APP/DATE	Owen/JUL18-2006