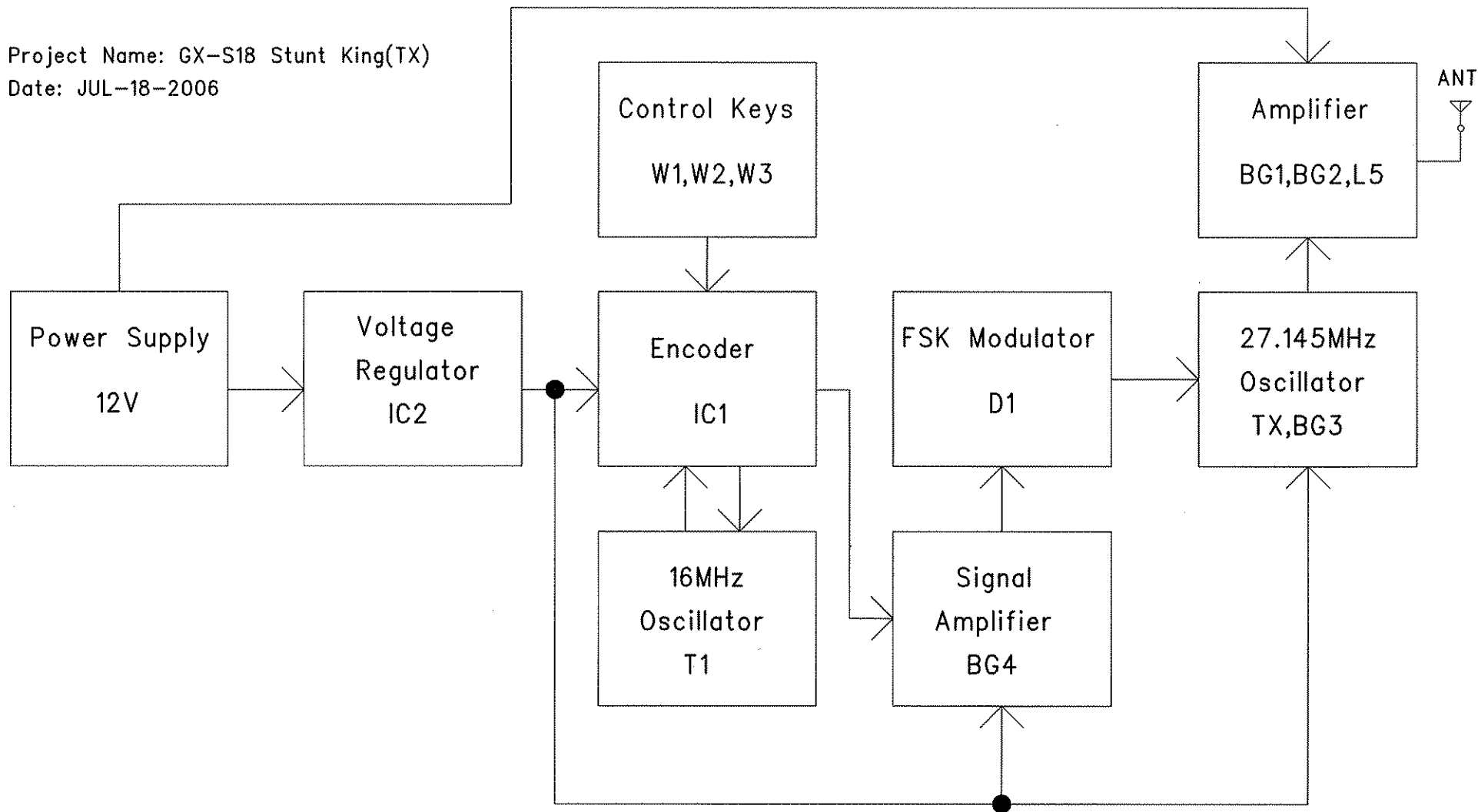



Project Name: GX-S18 Stunt King(TX)

Date: JUL-18-2006



Technical description :

- Encoding signal will be generated by IC1 ,and it will be Amplified with carrier frequency by BG1,BG2, L5
- Modulating signal will be transmitted through antenna network.

|  |        |                       |                  |
|--|--------|-----------------------|------------------|
| <br><small>Silverlit Toys Manufacturing Ltd.<br/>1701-03, World Trade Centre, 280 Gloucester Road,<br/>Causeway Bay, Hong Kong.</small> |        | DWG. NAME             | Block diagram    |
| ITEM NAME  |        | GX-S18 Stunt King(TX) |                  |
|  |        | DRAWN/DATE            | Agen/JUL-18-06   |
|  |        | CHK/DATE              | Nelson/JUL-18-06 |
| PAGE   | 1 OF 1 | APP/DATE              | Owen/JUL-18-06   |