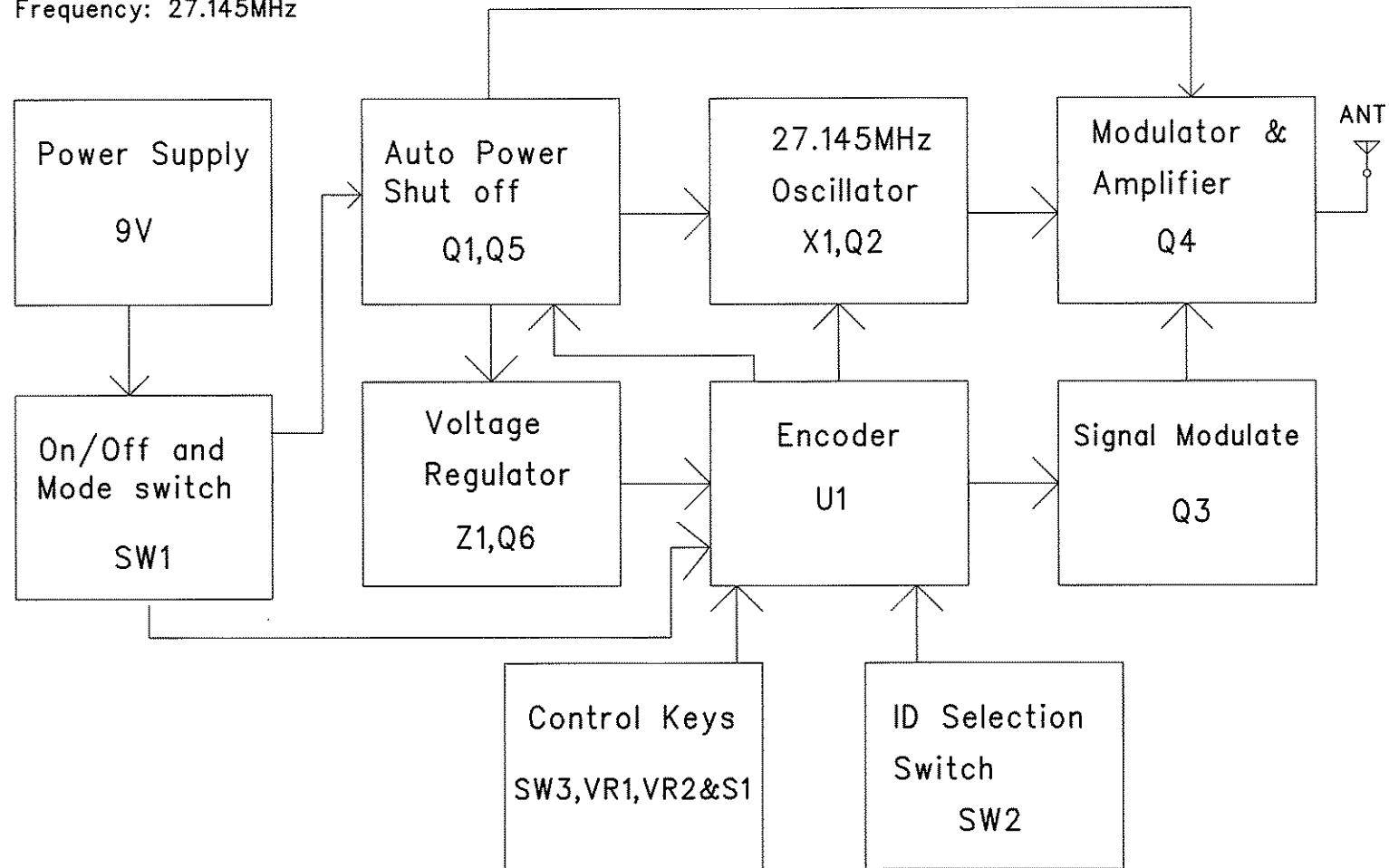



Project Name: Gyrotor(TX)
 Date: MAY-16-2006
 Version: 1
 Transmit Frequency: 27.145MHz



Technical description :

- Encoding signal will be generated by U1 ,and it will be mixed & amplified with carrier frequency by Q4,
- Modulating signal will be transmitted through antenna network.

 <small>Silverlit Toys Manufactory Ltd. 1701-03, World Trade Centre, 280 Gloucester Road, Causeway Bay, Hong Kong.</small>		DWG. NAME	Block diagram
ITEM NAME	Gyrotor(TX)		
Block diagram(TX)		DRAWN/DATE	Agen/MAY16-2006
		CHK/DATE	Bin/MAY16-2006
PAGE	1 OF 1	APP/DATE	Owen/MAY16-2006