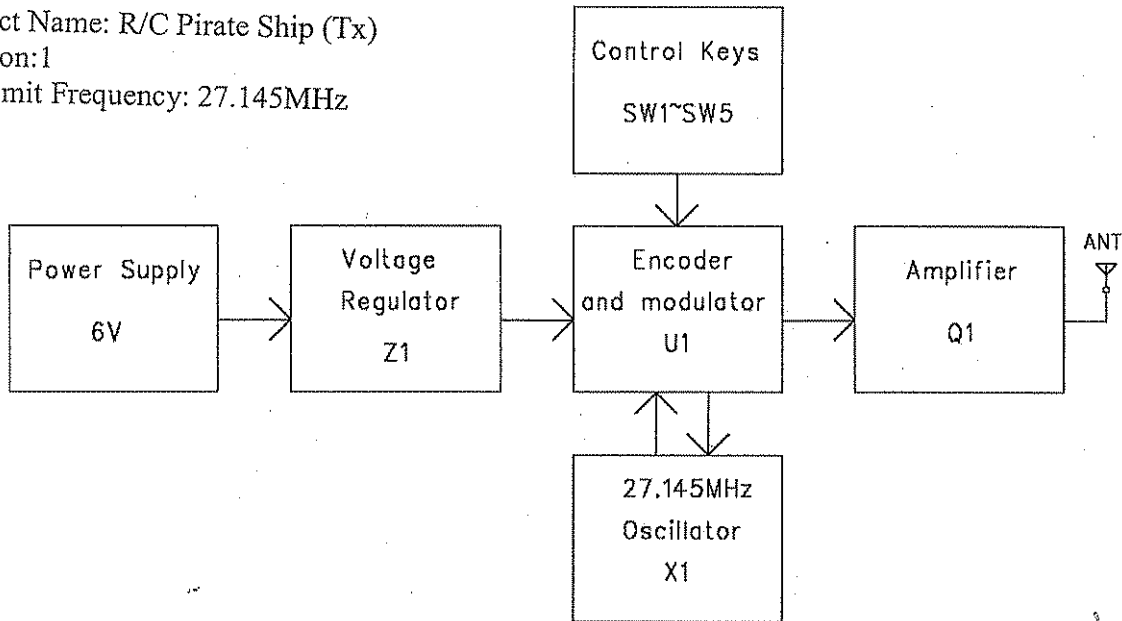



Project Name: R/C Pirate Ship (Tx)
 Version: 1
 Transmit Frequency: 27.145MHz



Technical description :

- Encoding signal will be generated by U1 ,and it will be Amplified with carrier frequency by Q1.
- Modulating signal will be transmitted through antenna network.

 <small>Silverlit Toys Manufacturing Ltd. 701-G2, 6th Floor, Centre, 290 Kowloon Road, Kowloon, Hong Kong</small>		DWG. NAME	Block diagram
		ITEM NAME	R/C Pirate Ship (Tx)
27.145MHz		DRAWN/DATE	Agan/MAY-11-06
		CHK/DATE	Nelson/MAY-11-06
PAGE	1 OF 1	APP/DATE	Dwan/MAY-11-06