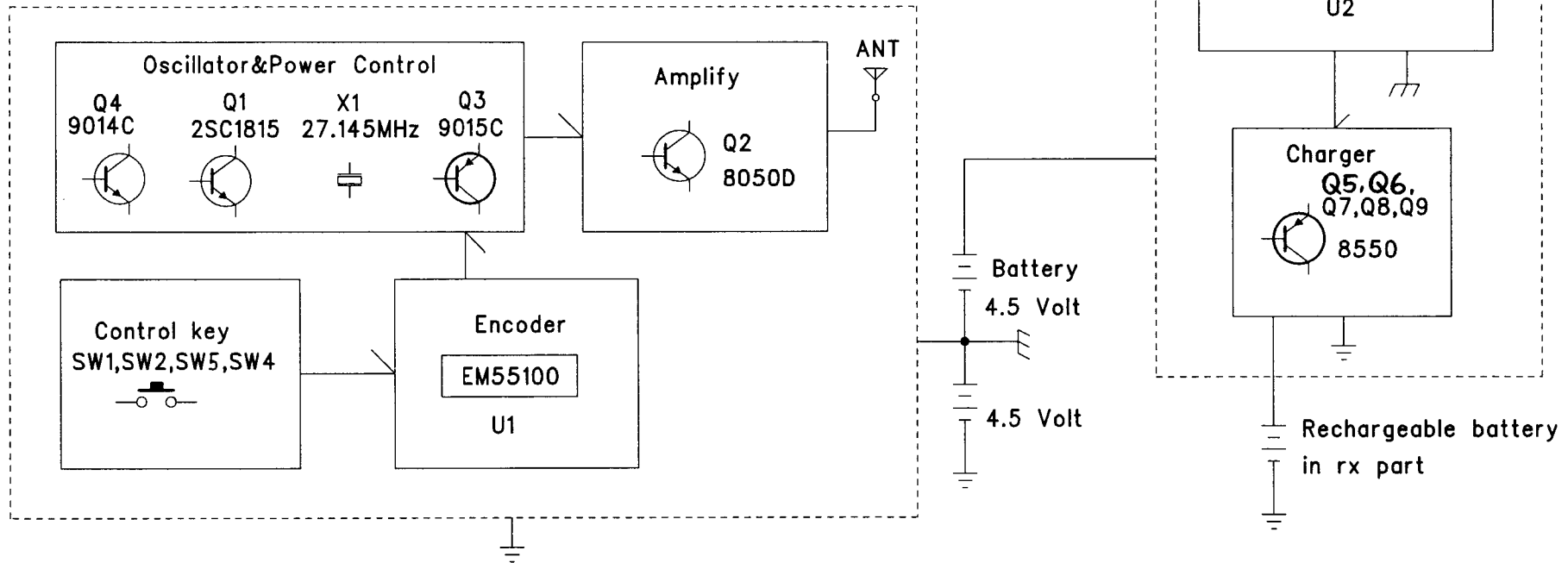



Project Name: X Flying Club-RC Airlifter(TX)
 Date: MAR-11-05
 Version: 2
 Transmit frequency: 27.145MHz



Technical description :

- Encoding signal will be generated by U1 ,a modulation signal will be generated by Q1 & Q3,and amplified by Q2.
- Modulating signal will be transmitted through antenna network.
- A rechargerable battery will be charged through Q7,Q8,Q9& automatic stopped while U2 counted time is up.

 <small>Silverlit Toys Manufactory Ltd. 1701-03, World Trade Centre, 280 Gloucester Road, Causeway Bay, Hong Kong.</small>		DWG. NAME	Block diagram
ITEM NAME		X Flying Club-RC Airlifter (TX)	
27.145MHz		DRAWN/DATE	Agan/MAR-11-05
		CHK/DATE	Stanley/MAR-11-05
PAGE	1 OF 1	APP/DATE	Owen/MAR-11-05