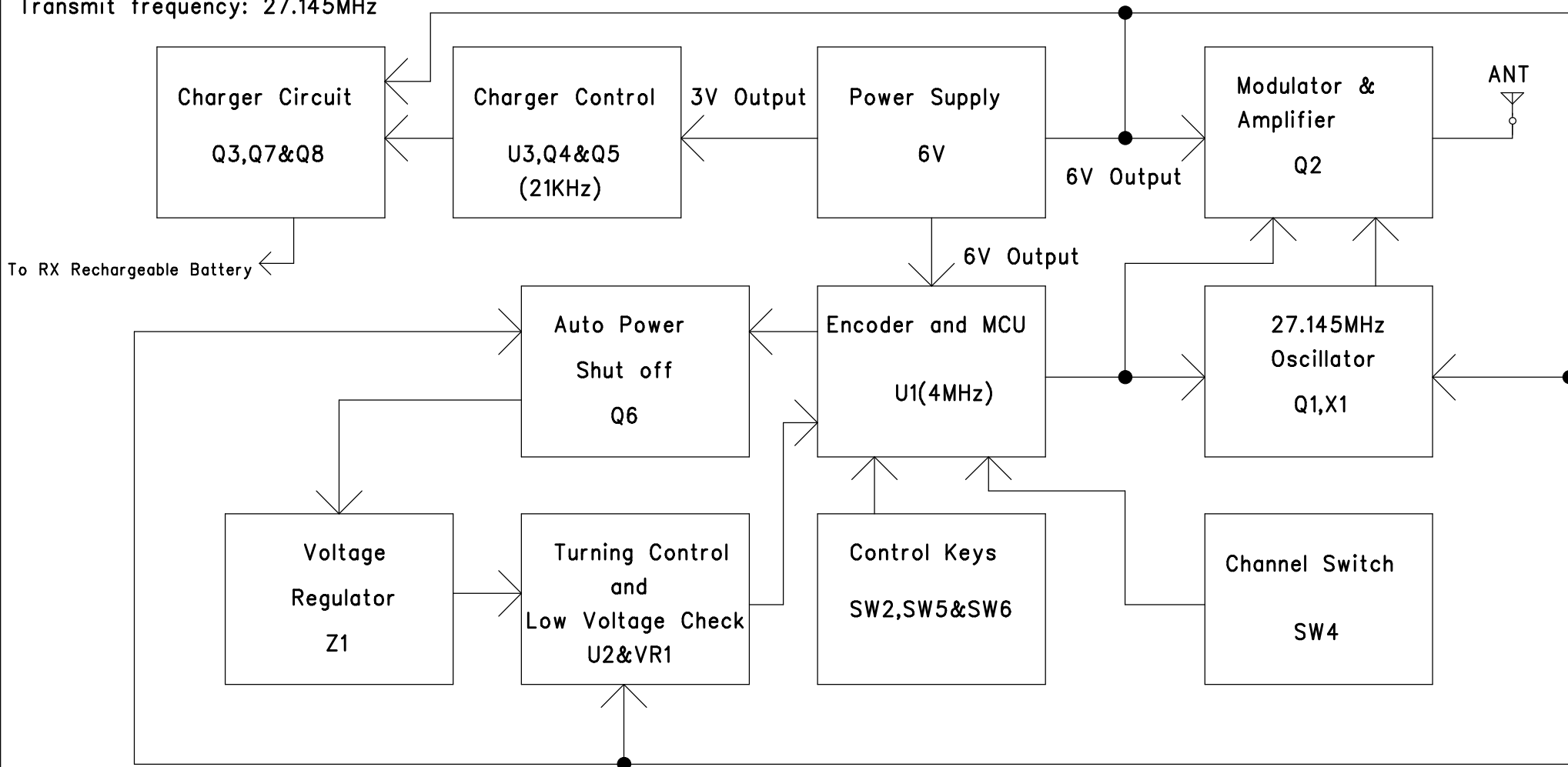


Project Name: X-TREK Pro Series: R/C Car and track set

Date: Sep05-2006

Transmit frequency: 27.145MHz



To RX Rechargeable Battery ←


Technical description :

- Encoding signal will be generated by U1 ,a modulation signal will be generated by Q1 ,Mix and amplified by Q2.
- Modulating signal will be transmitted through antenna network.
- A rechargeable battery will be charged through Q3,Q7&Q8 automatic stopped when rechargeable battery voltage reach presetted voltage.

Remark:

U1 Working Frequency:4MHz

U3 Working Frequency:21KHz

 Silverlit Toys Manufactory Ltd. 1701-03, World Trade Centre, 280 Gloucester Road, Causeway Bay, Hong Kong.		DWG. NAME	Block diagram
		ITEM NAME X-TREK Pro Series: R/C Car and track set	
<h1>27.145MHz</h1>		DRAWN/DATE	Agan/Sep05-2006
		CHK/DATE	Nelson/Sep05-2006
PAGE	1 OF 1	APP/DATE	Owen/Sep05-2006