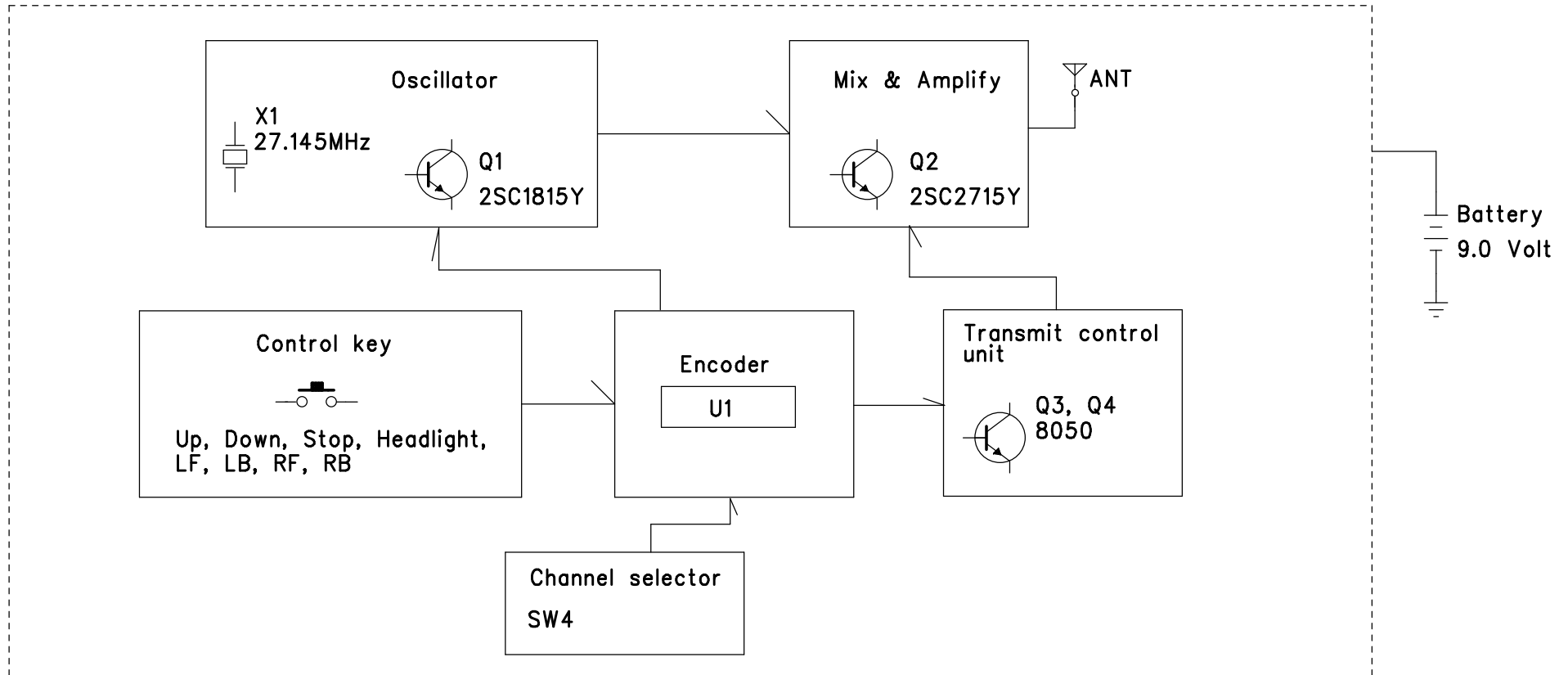


Project Name: SUB-SONIC XP(TX)

Date: 20 May,05


Version: 2

Transmit frequency: 27.145MHz



Technical description :

- SW4 and associated circuit act as channel selector.
- Q1, X1 and associated circuit act as 27.145MHz oscillator.
- Q2 and associated circuit act as amplifier.
- Q3, Q4 and associated circuit act as transmit controller.
- U1 and associated circuit act as encoder.
- Up, Down, Stop, Headlight, LF, LB, RF, RB and associated circuit act as control keys.

 <small>Silverlit Toys Manufacturing Ltd. 1701-03, World Trade Centre, 280 Gloucester Road, Causeway Bay, Hong Kong.</small>		DWG. NAME	Block diagram
ITEM NAME	SUB-SONIC XP(TX)		
27.145MHz		DRAWN/DATE	Agen/OCT-15-04
		CHK/DATE	Stanley/OCT-15-04
PAGE	1 OF 1	APP/DATE	Owen/OCT-15-04