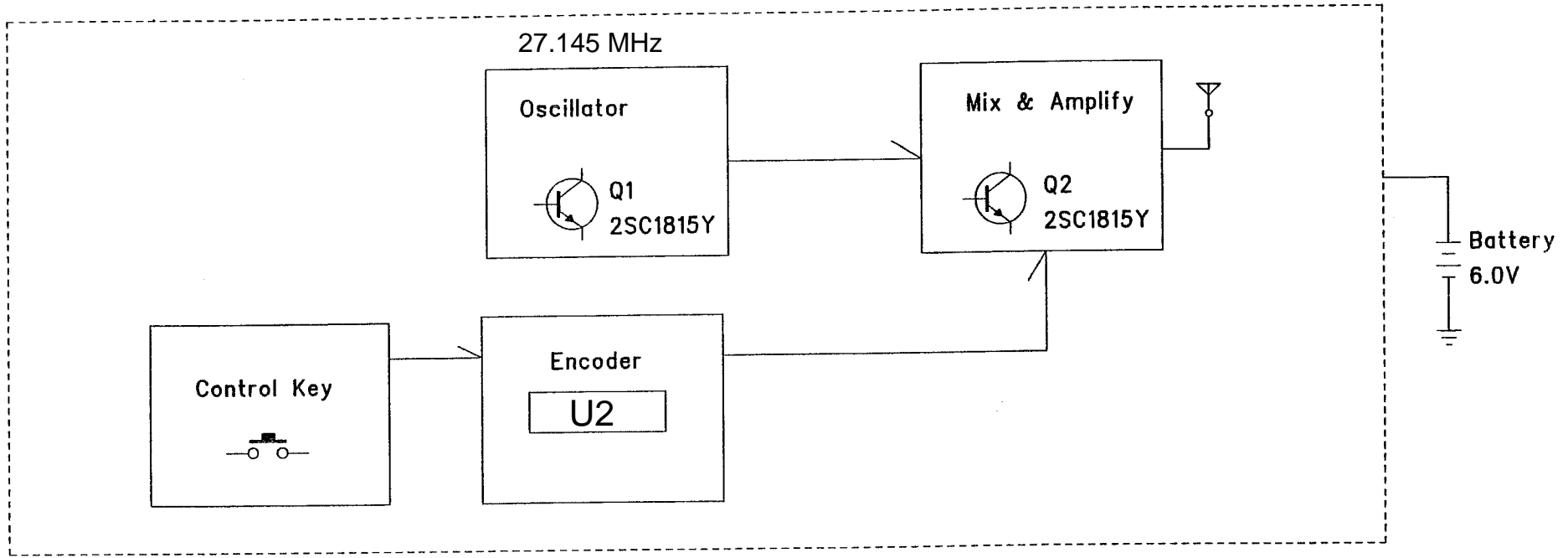


REV	DETAIL OF CHANGE	DATE	APPROVED BY
A			

Project Name: X-Motors series
 Date: Dec.20-03
 Version: 1
 Transmit frequency: 27.145MHZ



Technical description :

- Encoding signal will be generated by U1 while control key pressed, and it will be mixed & amplified with carrier frequency by Q2,
- Modulating signal will be transmitted through antenna network.

 Silverlit Toys Manufactory Ltd. 26th Floor, 36 Russel Street, Causeway Bay, Hong Kong		DWG. NAME	Block Diagram
		DWG. NO.	
ITEM NAME		X-Motors series: 27MHz (Gun shape tx)	
- Tour Bus - Cargo & Oil Truck - Truck		DRAWN/DATE	
		CHK/DATE	
SCALE	PAGE	1 OF 1	APP/DATE