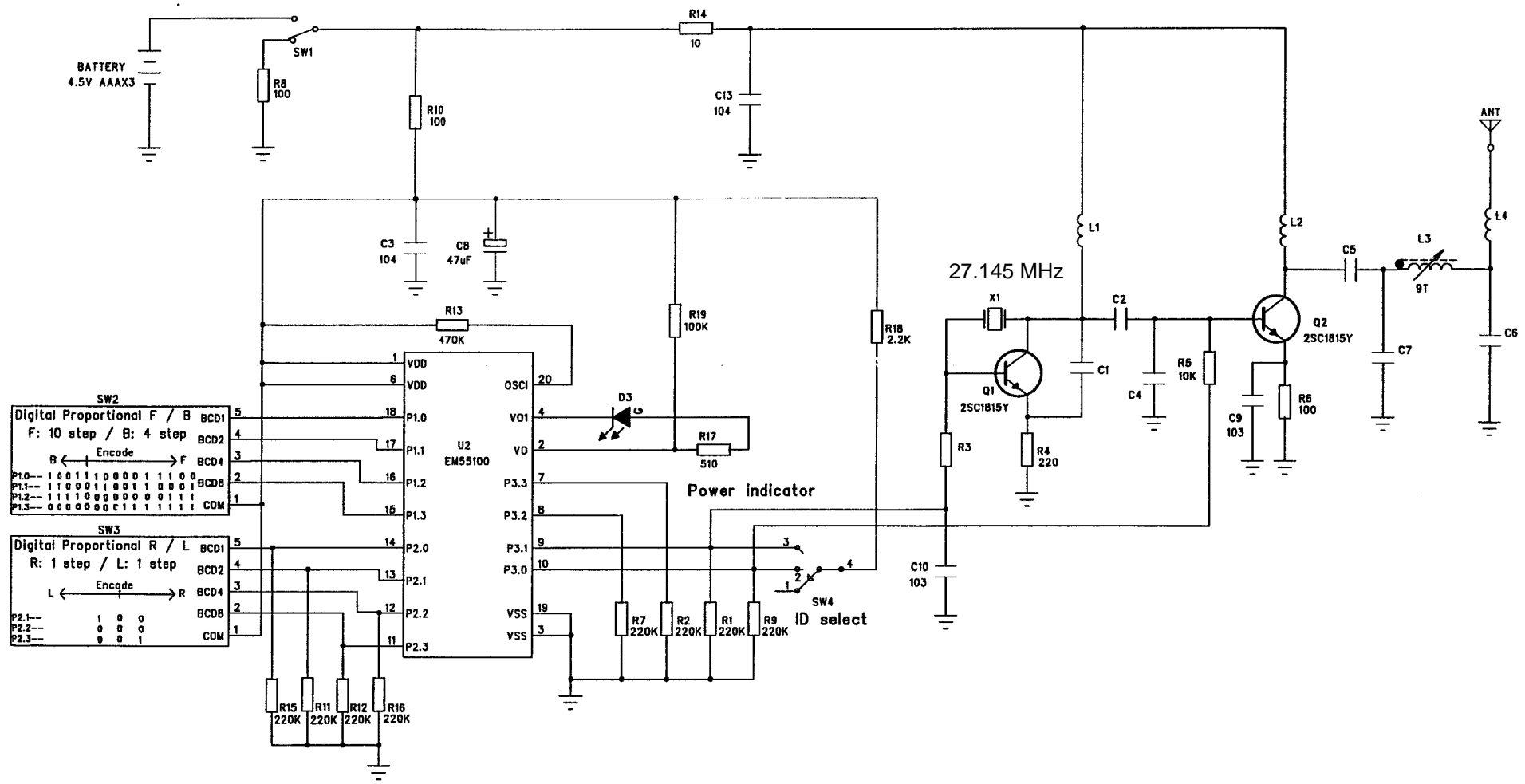


REV	DETAIL OF CHANGE	DATE	APPROVED BY
A			

X-motor TX-Mini shape.sch-1 - Fri Jan 30 17:12:30 2004



**SW2**  
Digital Proportional F / B  
F: 10 step / B: 4 step

BCD1	BCD2	BCD4	BCD8	CDM
P1.0	1 0 0 1 1 1 0 0 0 0 1 1 1 0 0			
P1.1	1 1 0 0 0 1 1 0 0 1 1 0 0 0 1			
P1.2	1 1 1 1 0 0 0 0 0 0 0 0 1 1 1 1			
P1.3	0 0 0 0 0 0 0 0 1 1 1 1 1 1 1 1			

**SW3**  
Digital Proportional R / L  
R: 1 step / L: 1 step

BCD1	BCD2	BCD4	BCD8	COM
P2.1	1 0 0 0			
P2.2	0 0 0 0			
P2.3	0 0 0 1			

	C1	C2C4C5	C6 C7	L1,L2	L4	R3	X1	
*	27MHZ	47P	47P	33P	2.2uH	5.6uH	100K	27.145MHZ
	49MHZ	18P	18P	1uH	2.2uH	220K	49.860MHZ	

 Silverlit Toys Manufacturing Ltd. 1701-03, World Trade Centre, 280 Gloucester Road, Causeway Bay, Hong Kong.		DWG. NAME	Schematic
		DWG. NO.	F83541-501
ITEM NO.	83541	ITEM NAME	X-Motors series - Mini size tx
- Tour Bus - Cargo & Oil Truck - Truck		DRAWN/DATE	GJG/DEC.18.03
		CHK/DATE	
SIZE	A4	PAGE	1 OF 1
APP/DATE			