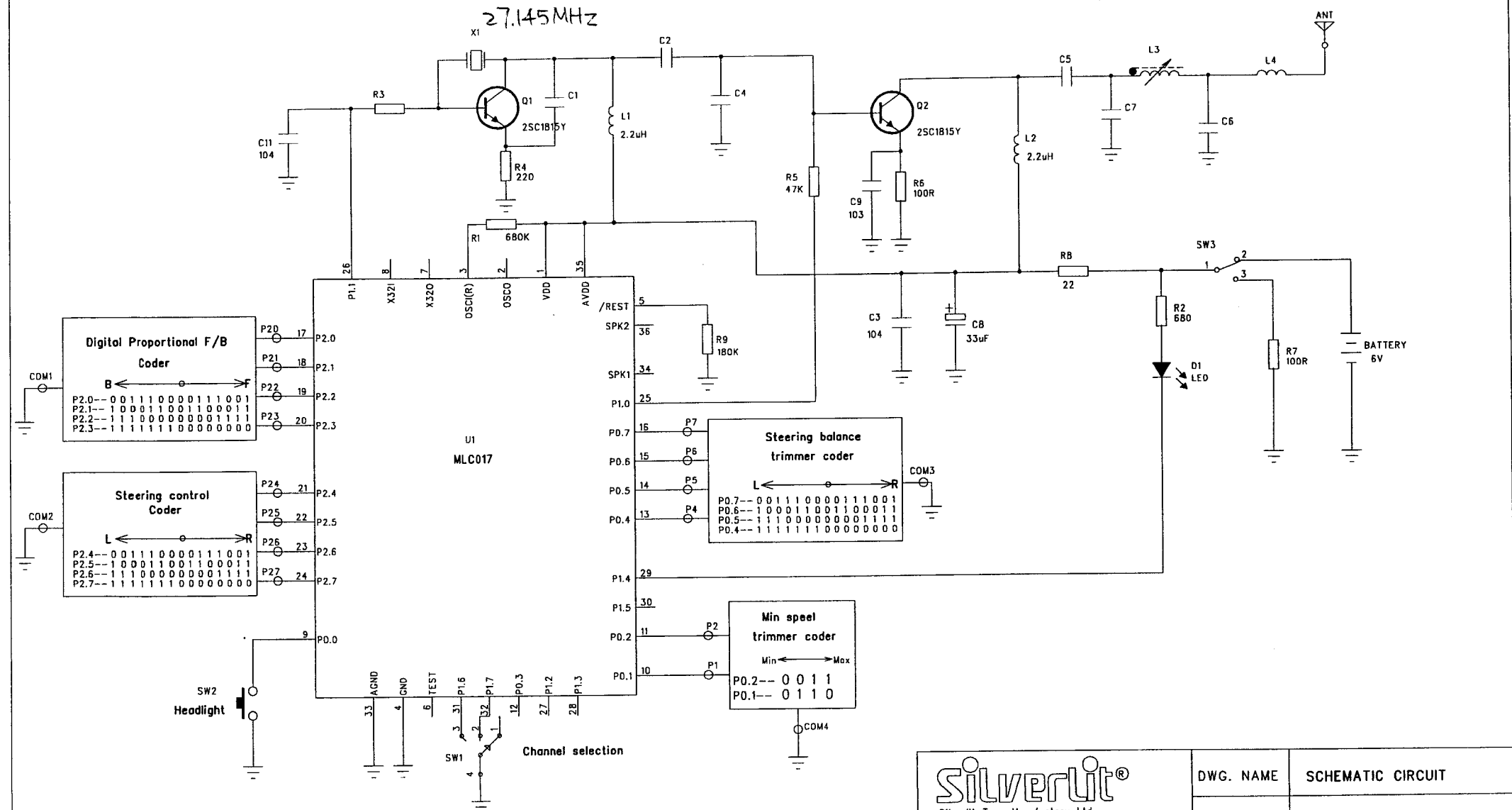


REV	DETAIL OF CHANGE	DATE	APPROVED BY
E-B			

FCC



*	L1	L2	L3	X1	C1,C2,C4,C5	C6	C7	R3	L4
	27MHZ	2.2uH	1.5uH	27.145MHZ	47P	30P	30P	150K	5.6uH
	40MHZ	1.5uH	1uH	40.680MHZ	18P	100P	15P	220K	1.5uH
	49MHZ	1uH	1uH	49.860MHZ	18P	47P	10P	220K	1uH

 Silverlit Toys Manufacturing Ltd. 1701-03, World Trade Centre, 280 Gloucester Road, Causeway Bay, Hong Kong.		DWG. NAME	SCHEMATIC CIRCUIT	
		DWG. NO.		
ITEM NO.	80045	ITEM NAME	XT X-Trek (DF-T2)	
		DRAWN/DATE	TJH/Nov.06-03	
		CHK/DATE		
SIZE		PAGE	1 OF 1	
		APP/DATE		