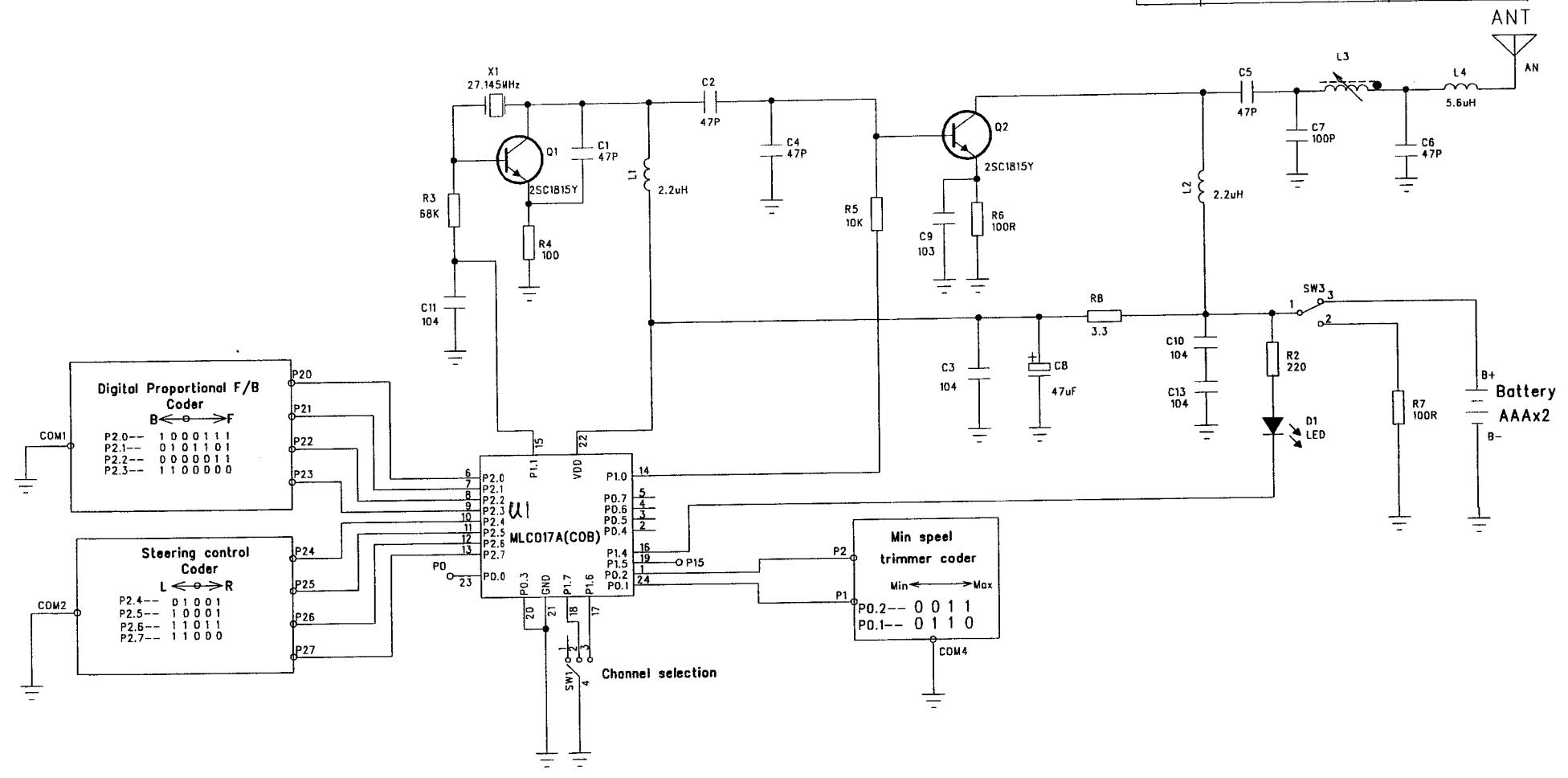


REV	DETAIL OF CHANGE	DATE	APPROVED BY
E-D			

FCC



	L1	L2	L3	X1	C1	C2,C4,C5,C6	C7	R3	L4
27MHZ	2.2uH	2.2uH	15T	27.145MHZ	47P	47P	100P	68K	5.6uH
40MHZ	1.5uH	1uH	9T	40.680MHZ	27P	18P	47P	220K	0
49MHZ	1uH	1uH	9T	49.860MHZ	22P	18P	47P	220K	0

 Silverlit Toys Manufacturing Ltd. 1701-03, World Trade Centre, 280 Gloucester Road, Causeway Bay, Hong Kong.		DWG. NAME	SCHMATIC CIRCUIT
		DWG. NO.	80017-501
ITEM NO.	80017	ITEM NAME	XT X-Trek (DF-T1)
		DRAWN/DATE	CWF/NOV.09-2003
		CHK/DATE	
SIZE		PAGE	1 OF 2
		APP/DATE	