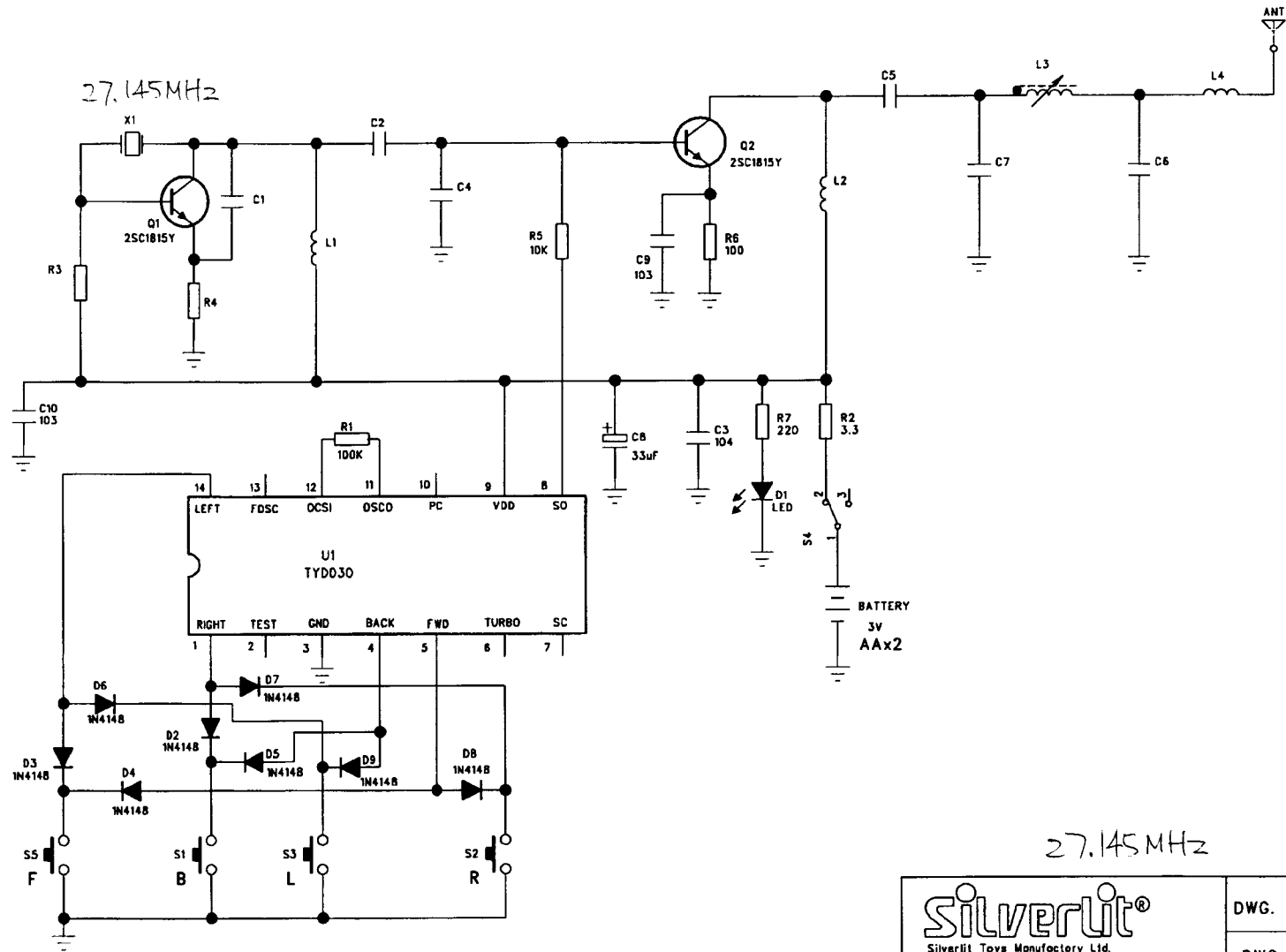


REV	DETAIL OF CHANGE	DATE	APPROVED BY
A			



27.145MHz

	C1.C2.C4.C5	C6	C7	L1	L2	L3	X1	R3	R4	L4
27.145MHz	47P	18P	68P	1.5uH	1.5uH	15T	27.145MHz	100K	100	5.6uH
40.680MHz	18P	10P	68P	1uH	1uH	9T	40.680MHz	330K	330	1.5uH
49.860MHz	18P	10P	47P	1uH	1uH	9T	49.860MHz	330K	330	1.5uH

 <small>Silverlit Toys Manufactory Ltd. 1701-03, World Trade Centre, 280 Gloucester Road, Causeway Bay, Hong Kong.</small>		DWG. NAME	SCHEMATIC CIRCUIT			
		DWG. NO.	Nil			
ITEM NO.	82291	ITEM NAME	X - Wave series			
		DRAWN/DATE	XZL/APR-02-2003			
		CHK/DATE	APR-02-2003			
SIZE		PAGE	1 OF 1		APP/DATE	APR-02-2003

ED82291-TX-A.sch-1 - Thu Apr 17 11:55:04 2003