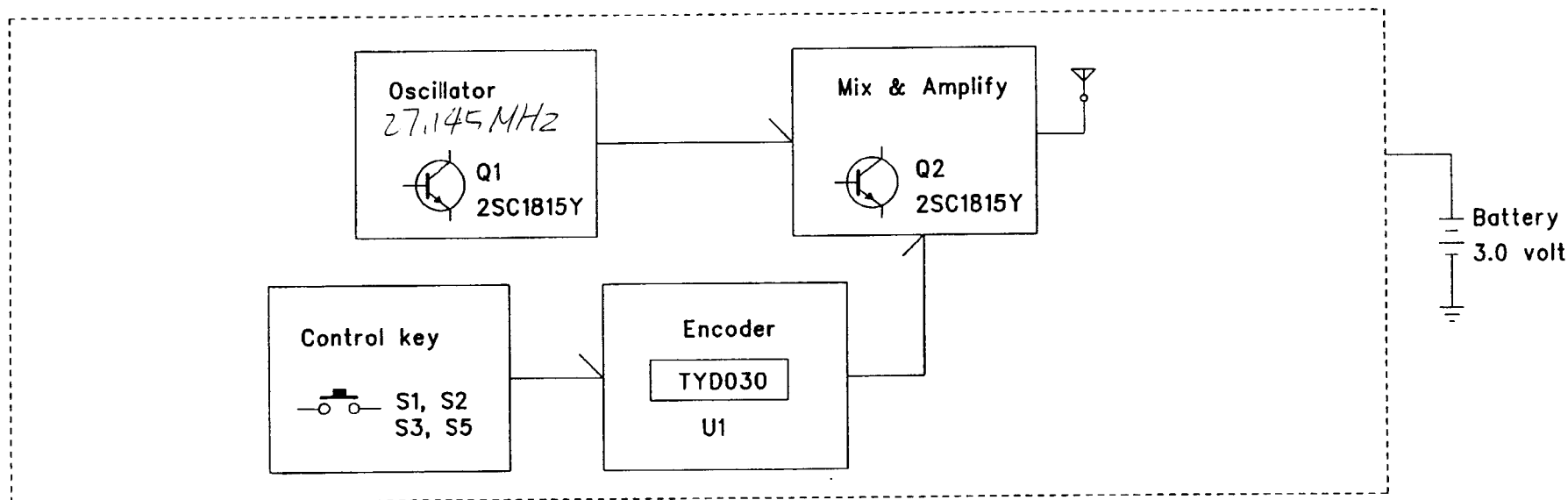


Project no: 82291
 Project Name: X wave series
 Date: APR.16-03
 Version: 1
 Transmitted frequency: 27.145MHZ

REV	DETAIL OF CHANGE	DATE	APPROVED BY
A			



Technical description :

- Encoding signal will be generated by U1 when control key pressed, and it will be mixed & amplified with carrier frequency by Q2,
- Modulating signal will be transmitted through antenna network.

 <small>Silverlit Toys Manufactory Ltd. 1701-03, World Trade Centre, 280 Gloucester Road, Causeway Bay, Hong Kong.</small>		DWG. NAME	Block diagram
		DWG. NO.	Block diagram
ITEM NO.	82291	ITEM NAME	X - Wave series (TX)
		DRAWN/DATE	CWF/APR.16-2003
		CHK/DATE	APR.16-2003
SCALE		PAGE	1 OF 1
		APP/DATE	APR.16-2003

82291TX-Block-27.sch-1 - Thu Apr 17 11:47:37 2003