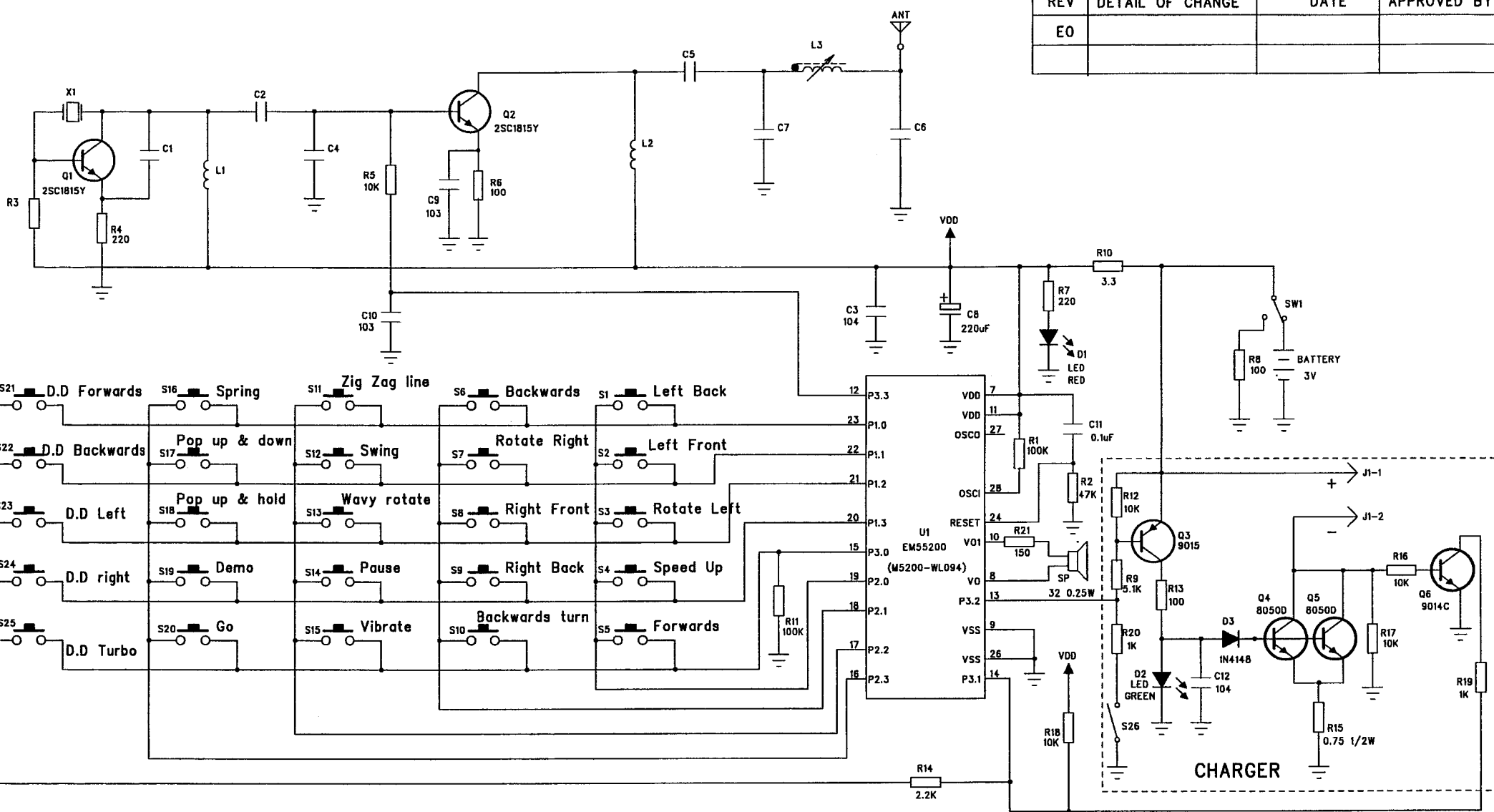


REV	DETAIL OF CHANGE	DATE	APPROVED BY
EO			



	C1.C2.C4.C5	C6	C7	L1	L2	L3	X1	R3
27.145MHz	47P	10P	68P	2.2uH	2.2uH	15T	27.145MHz	200K
40.680MHz	18P	10P	68P	2.2uH	1uH	9T	40.680MHz	390K
49.860MHz	18P	5P	47P	1uH	1uH	9T	49.860MHz	390K

**Silverlit®**  
 Silverlit Toys Manufacturing Ltd.  
 26th Floor, 38 Russell Street, Causeway Bay, Hong Kong

DWG. NAME		SCHEMATIC CIRCUIT	
DWG. NO.		F82191-502	
ITEM NO.	82191	ITEM NAME	Miniature R/C TurboZ (TX)
DRAWN/DATE		CWF/DEC.30-2002	
CHK/DATE		<i>David</i>	
SIZE	PAGE	1 OF 1	APP/DATE

D82191-TX-O.sch-1 - Sat Jan 04 10:16:12 2003