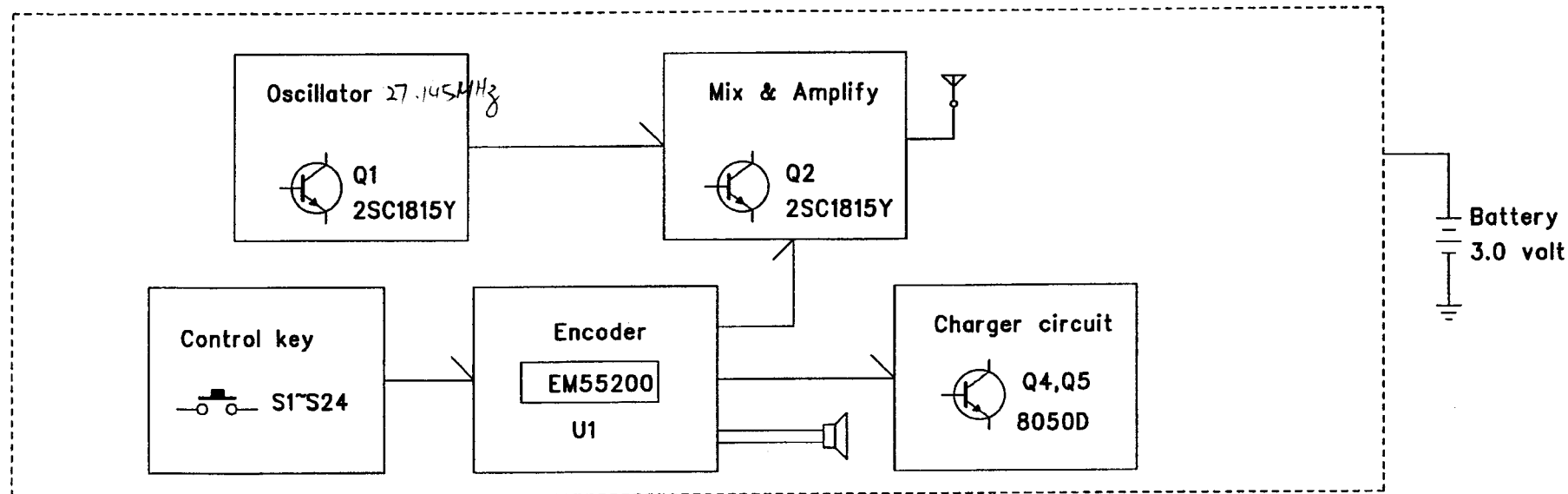


Project no: 82191  
 Project Name: X-PlatinumZ  
 Date: JAN.03-03  
 Version: 1  
 Transmit frequency: 27.145MHZ

REV	DETAIL OF CHANGE	DATE	APPROVED BY
A			



Technical description :

- Encoding signal will be generated by U1 when control key pressed, and it will be mixed & amplified with carrier frequency by Q2,
- Modulating signal will be transmitted through antenna network.

 <small>Silverlit Toys Manufactory Ltd.          26th Floor, 38 Russell Street, Causeway Bay, Hong Kong</small>		DWG. NAME	Block diagram
		DWG. NO.	
ITEM NO.	82121	ITEM NAME	X-PlatinumZ (TX)
		DRAWN/DATE	CWF/JAN.03-2003
		CHK/DATE	<i>X</i> 1/4
SCALE		PAGE	1 OF 1
		APP/DATE	

2191TX-Block-27A.sch-1 - Sat Jan 04 10:15:35 2003