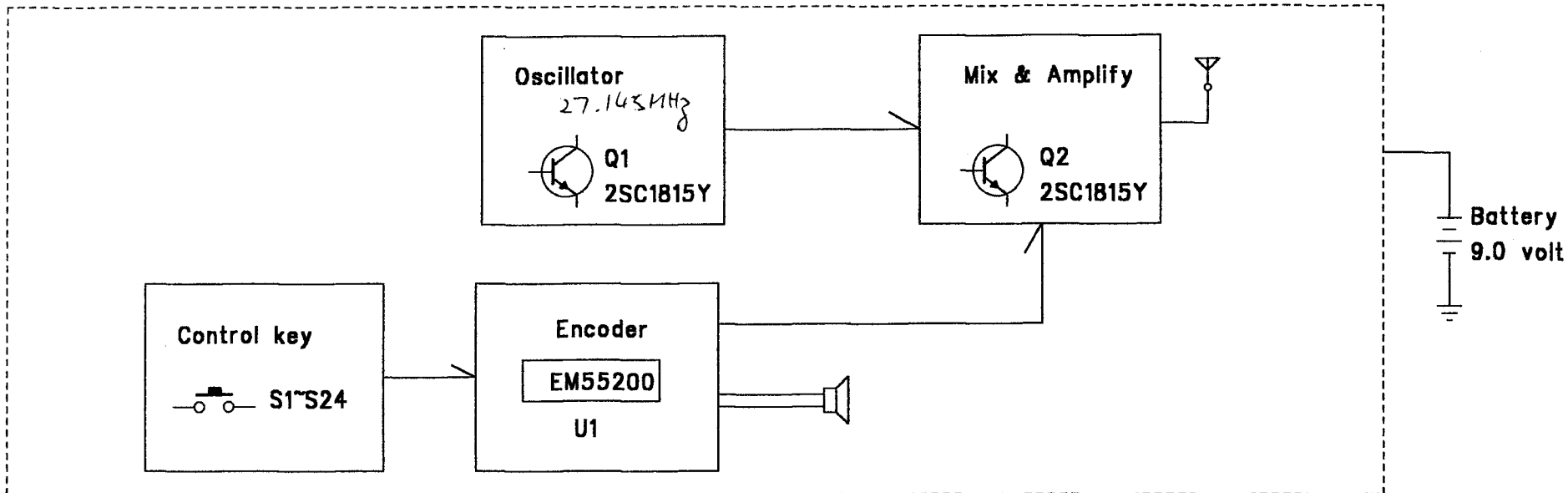


Project no: 82121
 Project Name: Platinum-Z
 Date: JDEC.02-02
 Version: 1
 Transmit frequency: 27.145MHZ

REV	DETAIL OF CHANGE	DATE	APPROVED BY
A			



Technical description :

- Encoding signal will be generated by U1 when control key pressed. and it will be mixed & amplified with carrier frequency by Q2.
- Modulating signal will be transmitted through antenna network.

 <small>Silverlit Toys Manufactory Ltd. 28th Floor, 38 Russell Street, Causeway Bay, Hong Kong</small>		DWG. NAME	Block diagram
		DWG. NO.	
ITEM NO.	82121	ITEM NAME	Platinum-Z (TX)
		DRAWN/DATE	
		CHK/DATE	
SCALE		PAGE	1 OF 1
		APP/DATE	

2121TX-Block-27-michael.sch-1 - Mon Jan 06 12:04:24 2003