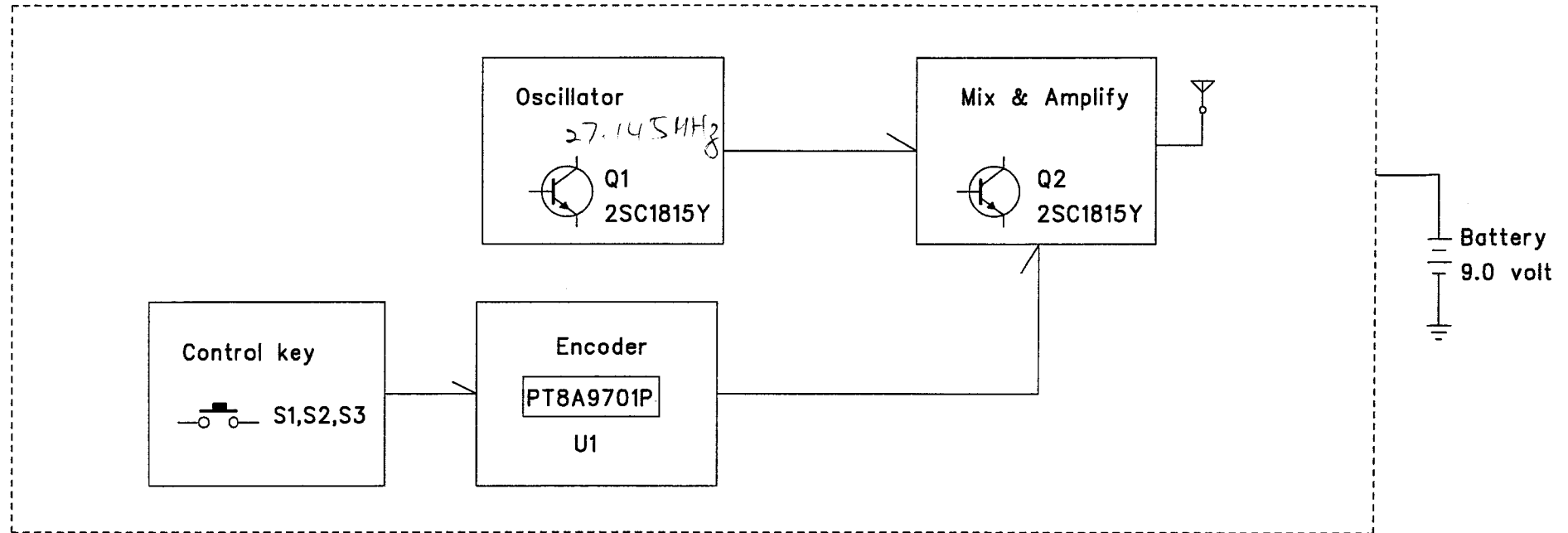


REV	DETAIL OF CHANGE	DATE	APPROVED BY
A			

Project no: 82101
 Project Name: R/C Amphibous vehicle (TX)
 Date: DEC.02-02
 Version: 1
 Transmit frequency: 27.145MHZ



Technical description :

- Encoding signal will be generated by U1 when control key pressed, and it will be mixed & amplified with carrier frequency by Q2,
- Modulating signal will be transmitted through antenna network.

 <small>Silverlit Toys Manufactory Ltd. 28th Floor, 38 Russel Street, Causeway Bay, Hong Kong</small>		DWG. NAME	Block diagram
		DWG. NO.	
ITEM NO.	82101	ITEM NAME	R/C Amphibous vehicle (TX)
		DRAWN/DATE	
		CHK/DATE	
SCALE		PAGE	1 OF 1
		APP/DATE	