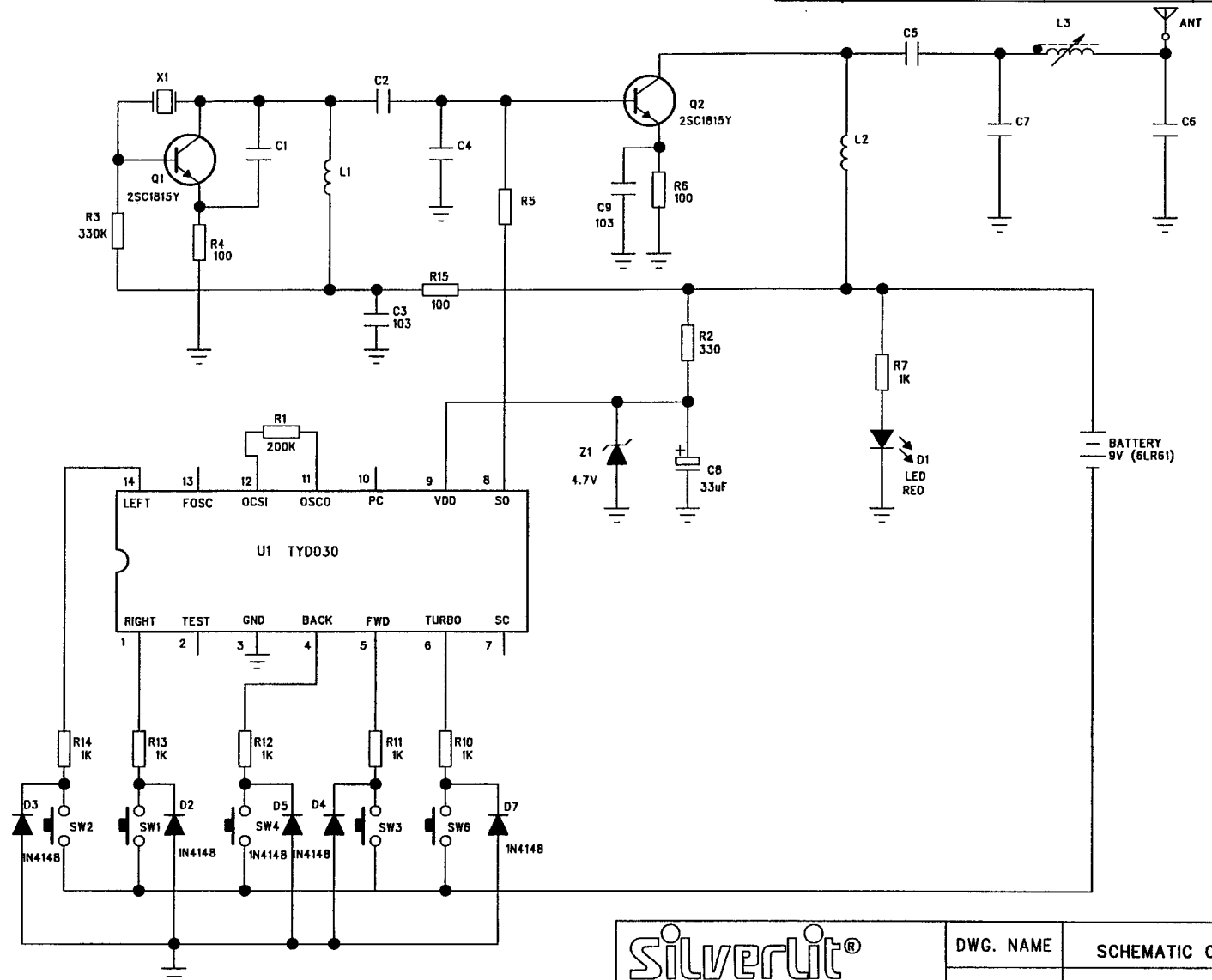


REV	DETAIL OF CHANGE	DATE	APPROVED BY
A			



	C1.C2.C4.C5	C6	C7	L1	L2	L3	X1	R5
27.145MHz	47P	10P	68P	2.2uH	2.2uH	21T	27.145MHz	10K
40.680MHz	18P	10P	68P	2.2uH	1uH	9T	40.680MHz	6.8K
49.860MHz	18P	10P	47P	1uH	1uH	9T	49.860MHz	10K

**Silverlit®**  
Silverlit Toys Manufacturing Ltd.  
26th Floor, 38 Russell Street, Causeway Bay, Hong Kong

DWG. NAME		SCHEMATIC CIRCUIT	
DWG. NO.		F82111-502	
ITEM NO.	82111	ITEM NAME	R/C Radical Racer (TX)
DRAWN/DATE		CWF/OCT.30-2002	
CHK/DATE			
SIZE		PAGE	1 OF 1
APP/DATE			