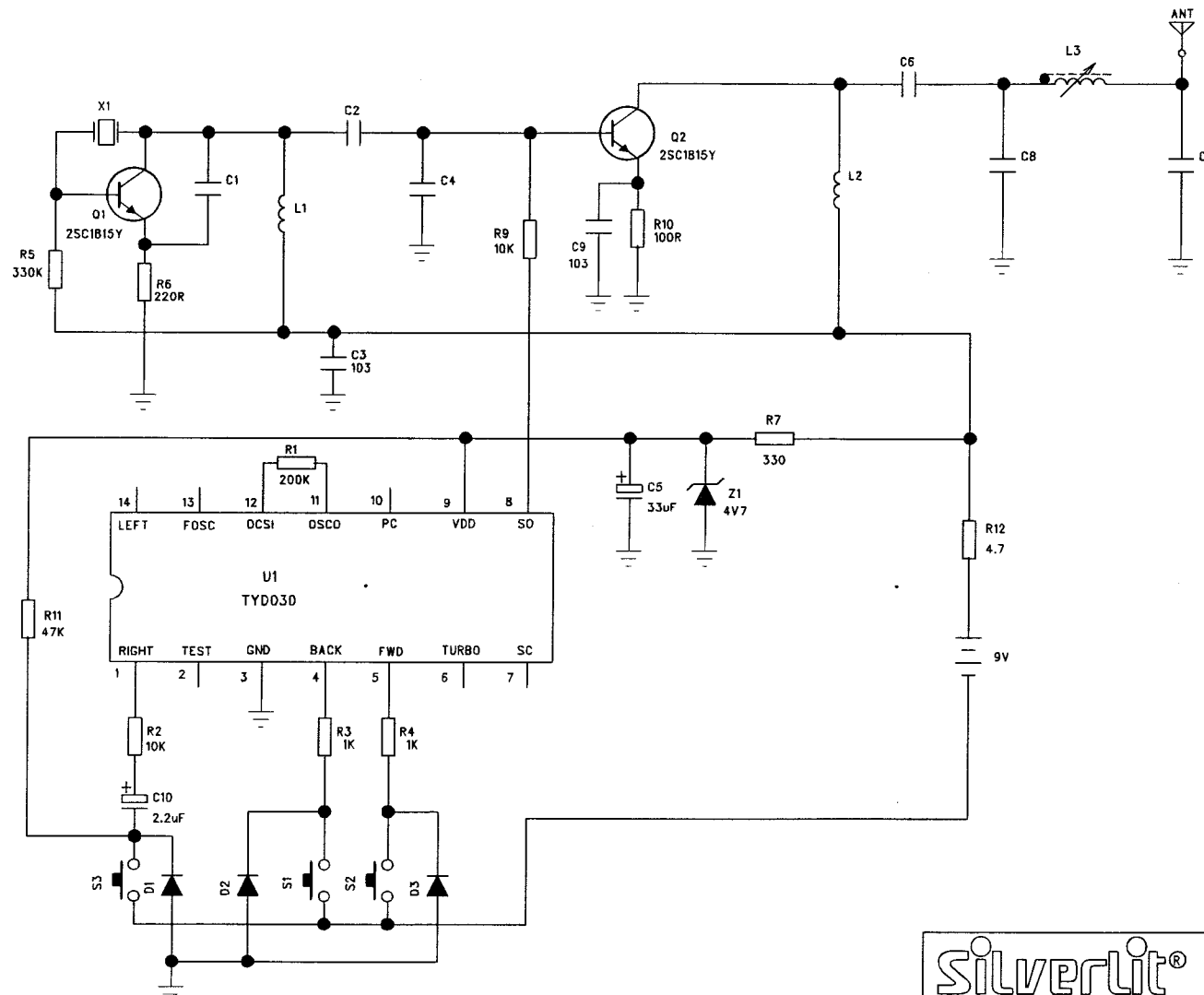


REV	DETAIL OF CHANGE	DATE	APPROVED BY
B			



	C1.C2.C4.C6	C7	C8	L1	L2	L3	X1
27.145MHz	47P	10P	68P	2.2uH	2.2uH	21T	27.145MHz
40.680MHz	18P	10P	68P	2.2uH	1uH	9T	40.680MHz
49.860MHz	18P	5P	47P	1uH	1uH	9T	49.860MHz

 Silverlit Toys Manufacturing Ltd. 28th Floor, 38 Russell Street, Causeway Bay, Hong Kong		DWG. NAME	SCHEMATIC CIRCUIT
		DWG. NO.	F82131-508
ITEM NO.	82131	ITEM NAME	R/C Mini TurboZ (Tx)
		DRAWN/DATE	CWF/Jul.28-2002
		CHK/DATE	
SIZE		PAGE	1 OF 1
		APP/DATE	