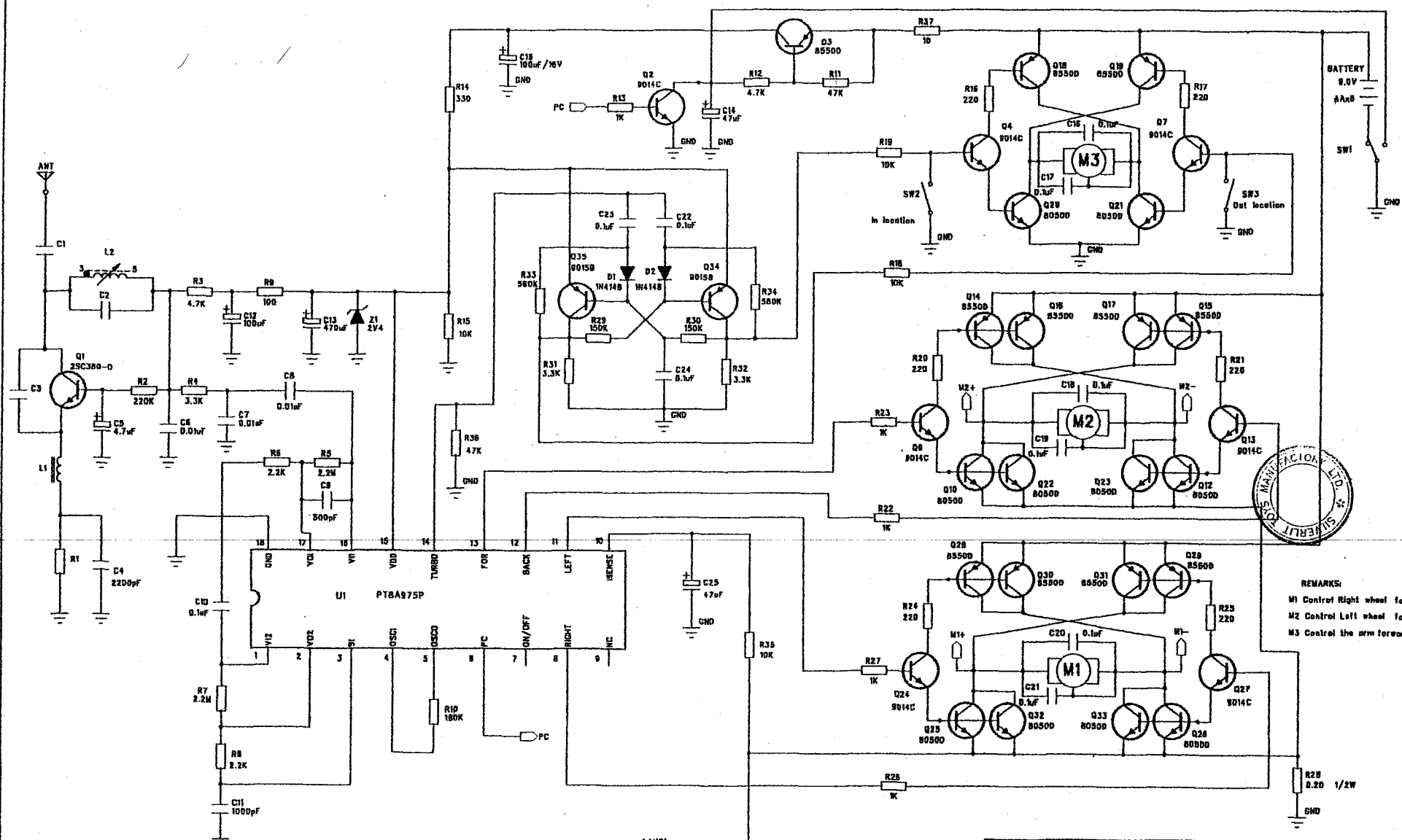
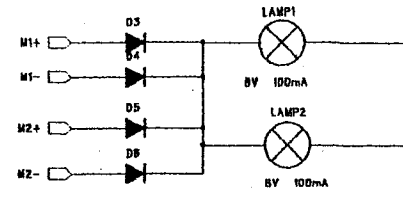


REV	DETAIL OF CHANGE	DATE	APPROVED BY
B			



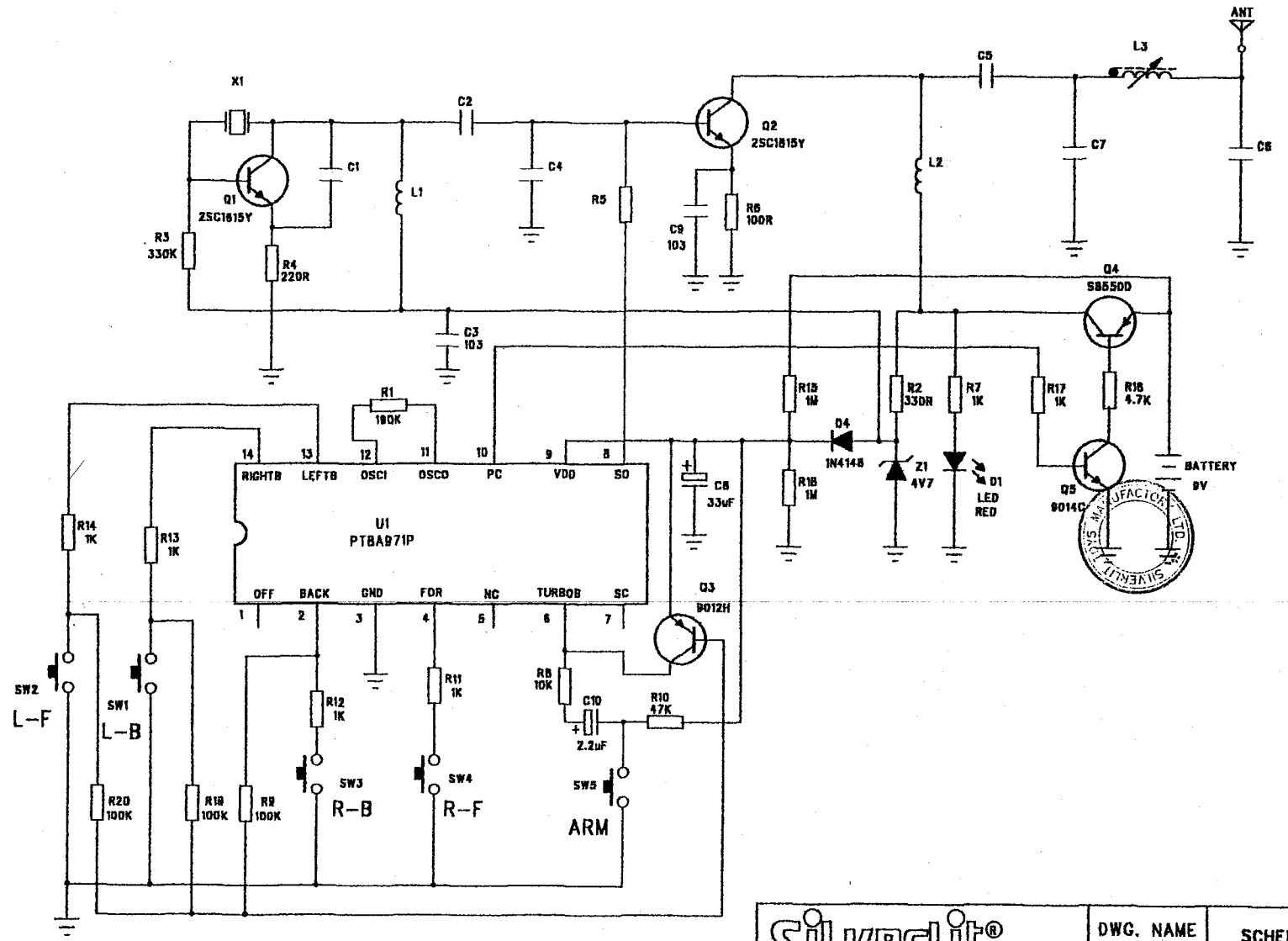
REMARKS:
M1 Control Right wheel forward and backward
M2 Control Left wheel forward and backward
M3 Control the arm forward and backward

	C1	C2	C3	R1	L1	L2
27.145MHz	8P	18P	38P	820	5.6uH	11.5T
40.680MHz	5P	18P	27P	820	3.3uH	6.5T
49.860MHz	3P	10P	27P	820	3.3uH	6.5T



 Silverlit Toys Manufacturing Ltd. 24th floor, 38 Russell Street, Causeway Bay, Hong Kong		DWG. NAME	SCHEMATIC CIRCUIT
		DWG. NO.	FB2091-501
ITEM NO.	B2091	ITEM NAME	Arm Vehicle
		DRAWN/DATE	Sqm/Dec-25-2001
		CHK/DATE	
SIZE		PAGE	1 OF 1
		APP/DATE	

REV	DETAIL OF CHANGE	DATE	APPROVED BY
B			



	C1.C2.C4.C5	C6	C7	L1	L2	L3	X1	R5
27.145MHz	47P	10P	68P	2.2uH	2.2uH	21T	27.145MHz	10K
40.680MHz	18P	10P	68P	2.2uH	1uH	9T	40.680MHz	6.8K
49.860MHz	18P	5P	47P	1uH	1uH	9T	49.860MHz	10K

 Silverlit Toys Manufacturing Ltd. 28th Floor, 38 Russell Street, Causeway Bay, Hong Kong		DWG. NAME	SCHMATIC CIRCUIT
		DWG. NO.	F82091-502
ITEM NO.	82091	ITEM NAME	Arm Vehicle
		DRAWN/DATE	Sam/Dec-25-2001
		CHK/DATE	
SCALE		PAGE	1 OF 1
		APP/DATE	