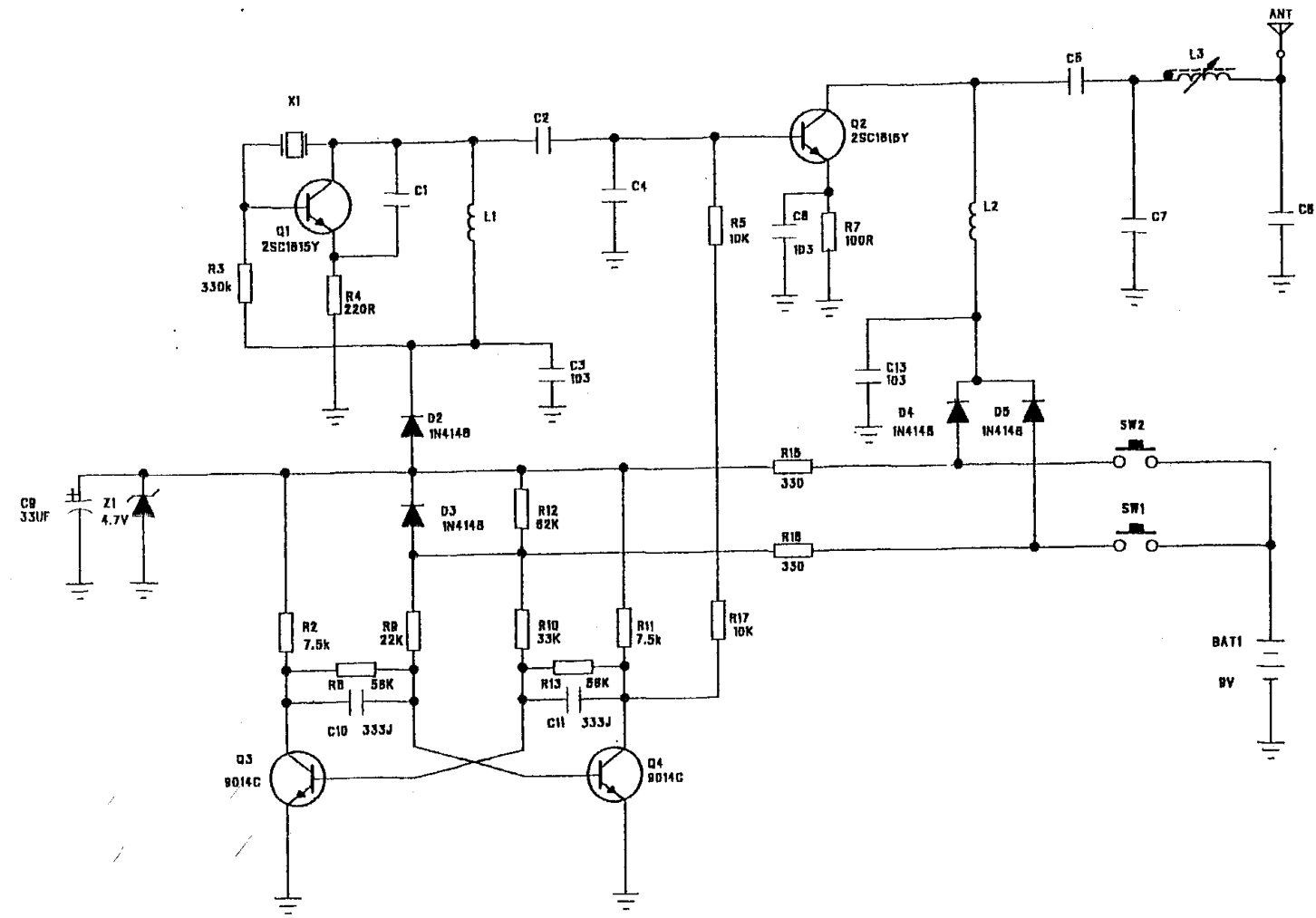



REV	DETAIL OF CHANGE	DATE	APPROVED BY
C			

J82081-TX-EP3-03.Sch-1 - Mon Dec 10 17:35:35 2001



	C1.C2.C5	C4	C6	C7	L1	L2	L3	X1
27.145MHz	47P	47P	3P	68P	2.2uH	2.2uH	21T	27.145MHz
40.680MHz	18P	39P	15P	47P	2.2uH	1uH	9T	40.680MHz
49.860MHz	18P	39P	8P	33P	1uH	1uH	9T	49.860MHz



Silverlit
Silverlit Toys Manufacturing Ltd.
28th Floor, 38 Russell Street, Causeway Bay, Hong Kong

DWG. NAME: SCHEMATIC CIRCUIT

DWG. NO.: F82081-805

ITEM NO.	82081	ITEM NAME	R/C Tricycle (TX)
DRAWN/DATE		CWF/DEC.07/01	
CHK/DATE			

