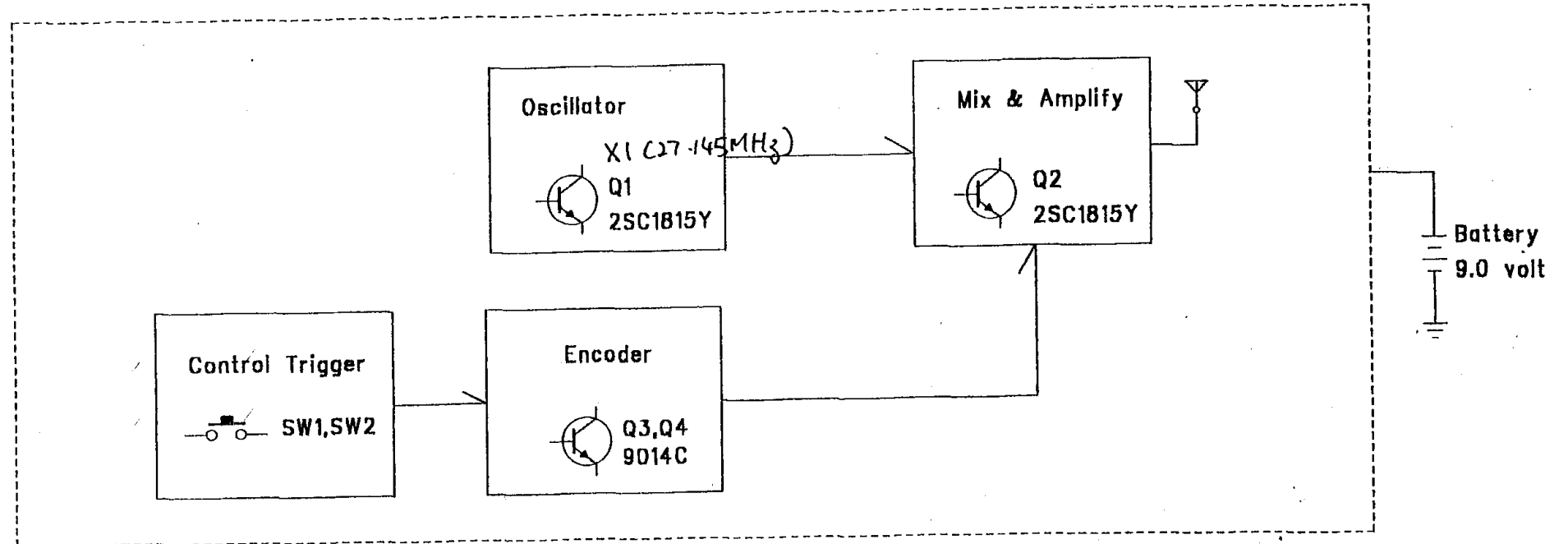



REV	DETAIL OF CHANGE	DATE	APPROVED BY
B			<i>[Signature]</i>

Project no: B2081
 Project Name: R/C Tricycle
 Date: DEC.16/01
 Version: 2
 Transmit frequency: 27.145MHZ



Technical description :

- Encoding signal will be generated by Q3,Q4 when pull the trigger, and it will mixed & amplified with carrier frequency by Q2,
- Modulating signal will be transmitted through antenna network.

 Silverlit Toys Manufacturing Ltd. 25th Floor, 38 Russell Street, Causeway Bay, Hong Kong		DWG. NAME	Block diagram
		DWG. NO.	
ITEM NO.	B2081	ITEM NAME	R/C Tricycle (TX)
		DRAWN/DATE	
		CHK/DATE	
SCALE		PAGE	1 OF 1
		APP/DATE	

51TX-Block-27A.sch-1 - Mon Dec 17 17:20:50 2001