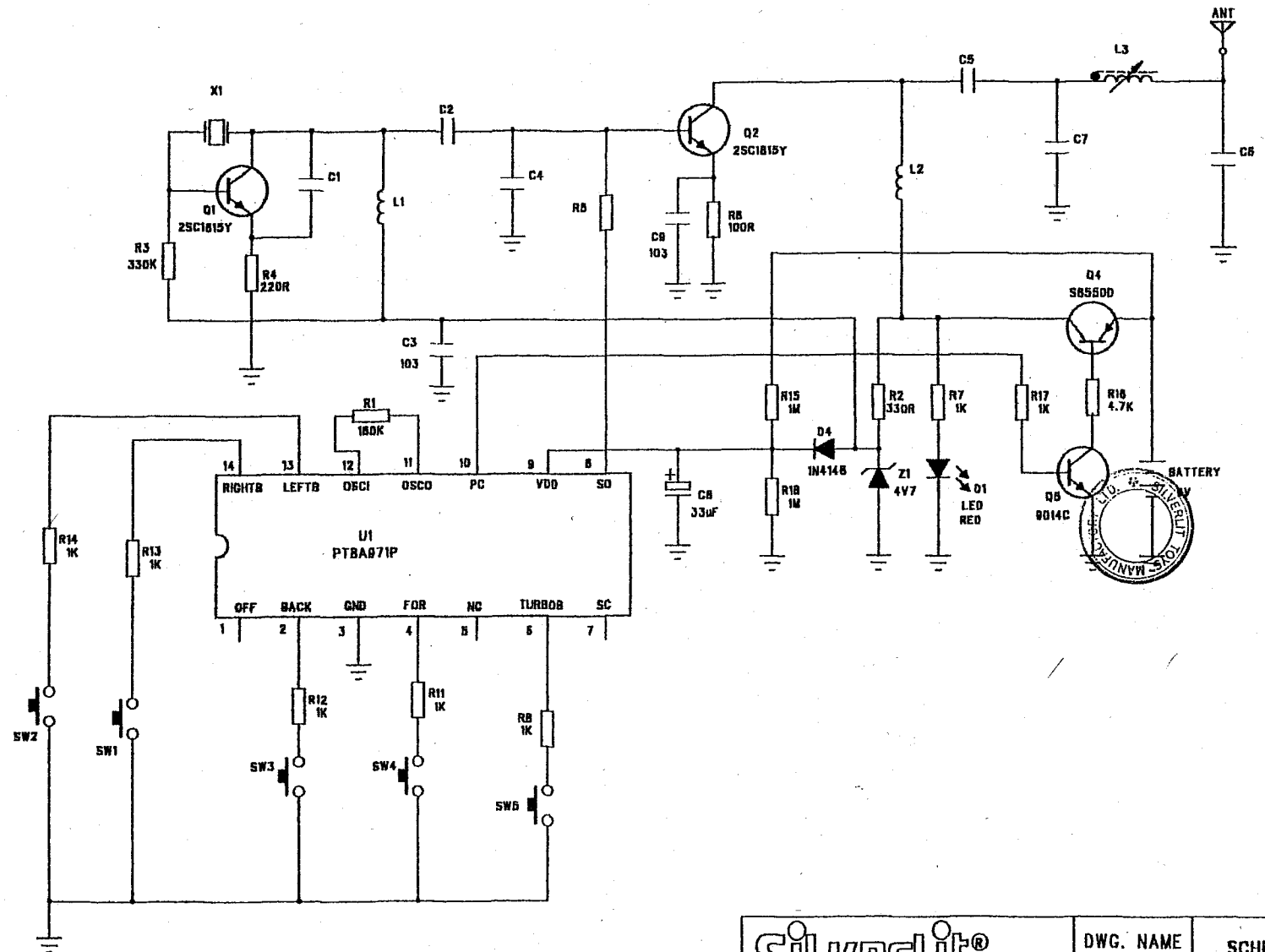


REV	DETAIL OF CHANGE	DATE	APPROVED BY
B			



	C1.C2.C4.C5	C6	C7	L1	L2	L3	X1	R5
27.145MHz	47P	10P	68P	2.2uH	2.2uH	21T	27.145MHz	10K
40.680MHz	18P	10P	68P	2.2uH	1uH	9T	40.680MHz	6.8K
49.860MHz	18P	5P	47P	1uH	1uH	9T	49.860MHz	10K

 Silverlit Toys Manufacturing Ltd. 25th Floor, 38 Bassett Street, Causeway Bay, Hong Kong			DWG. NAME	SCHEMATIC CIRCUIT
			DWG. NO.	FB2071-502
ITEM NO.	B2071	ITEM NAME	Twisting Vehicle (TX)	
			DRAWN/DATE	Sam/Dec-25-2001
			CHK/DATE	
SCALE		PAGE	1 OF 1	APP/DATE