

1 2 3 4

D

D

C

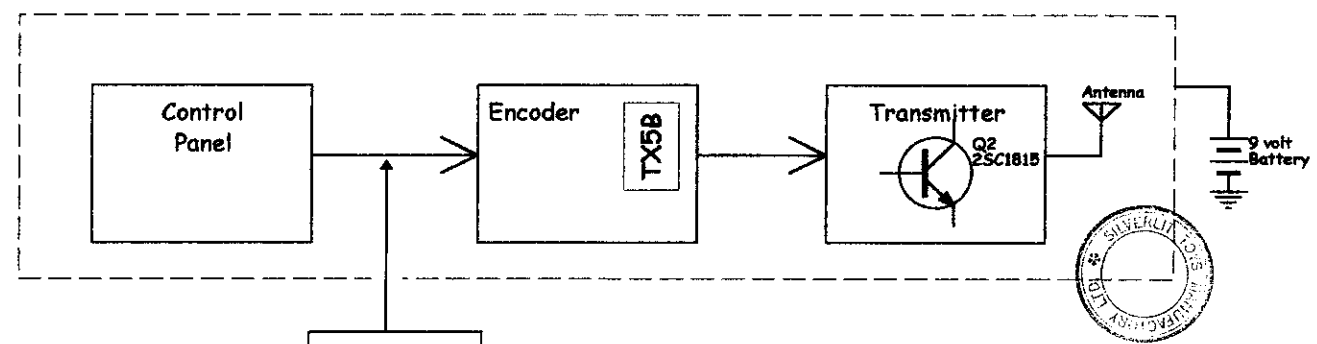
C

B

B

A

A

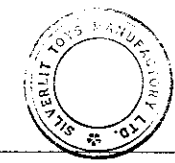


Transmit frequency.  
27.145MHz

### Transmitter Block Diagram

Technical description

1. Encoding signal will be generated by TX5B
2. Signal will be mixed with carry frequency by Q2 and transmitted by antenna network.



Title			Turbo Twister (Transmitter ~ 27.145MHz)		
Size	Number			Revision	0
A4					
Date:	23-Jun-2001	Sheet of			
File:	E:\Project\...up and down block tx27	Drawn By:	Michael		

1 2 3 4