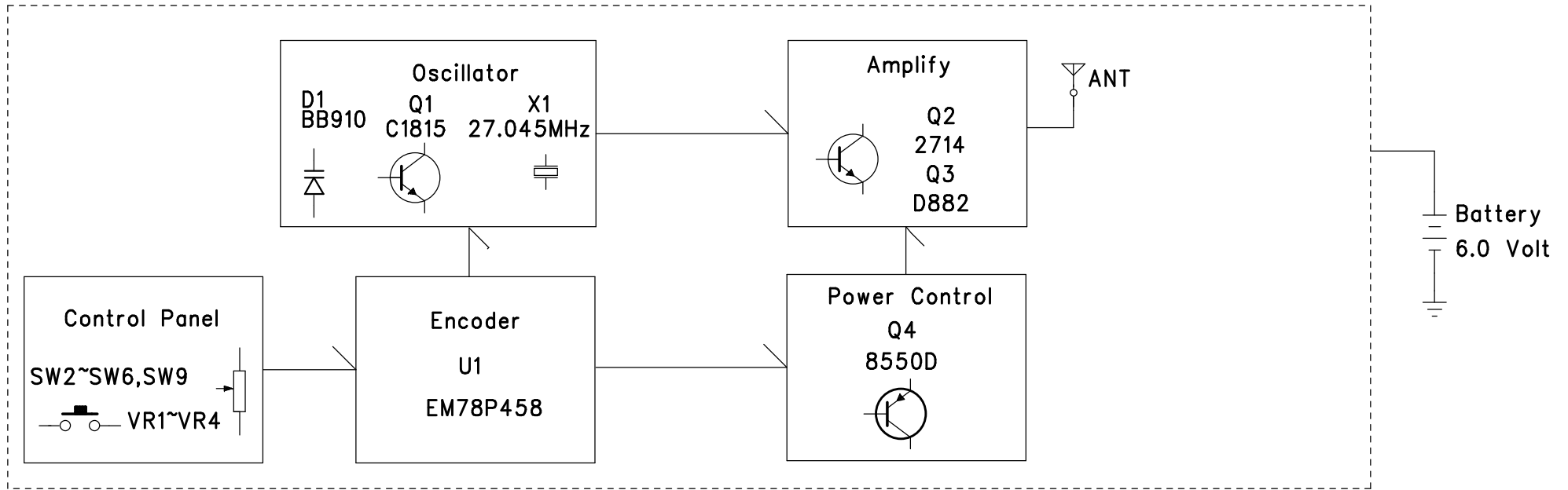



Project Name: UFO TX
 Date: July-08-05
 Version: 2
 Transmit frequency: 27.045MHz



Technical description :

- Encoding signal will be generated by U1 ,and it will be amplified with carrier frequency by Q2, Q3.
- Modulating signal will be transmitted through antenna network.

 <small>Silverlit Toys Manufactory Ltd. 1701-03, World Trade Centre, 280 Gloucester Road, Causeway Bay, Hong Kong.</small>		DWG. NAME	Block diagram
ITEM NAME		UFO TX	
27.045MHz		DRAWN/DATE	Agen/MAR-18-05
		CHK/DATE	Stanley/MAR-18-05
PAGE	1 OF 1	APP/DATE	Owen/MAR-18-05