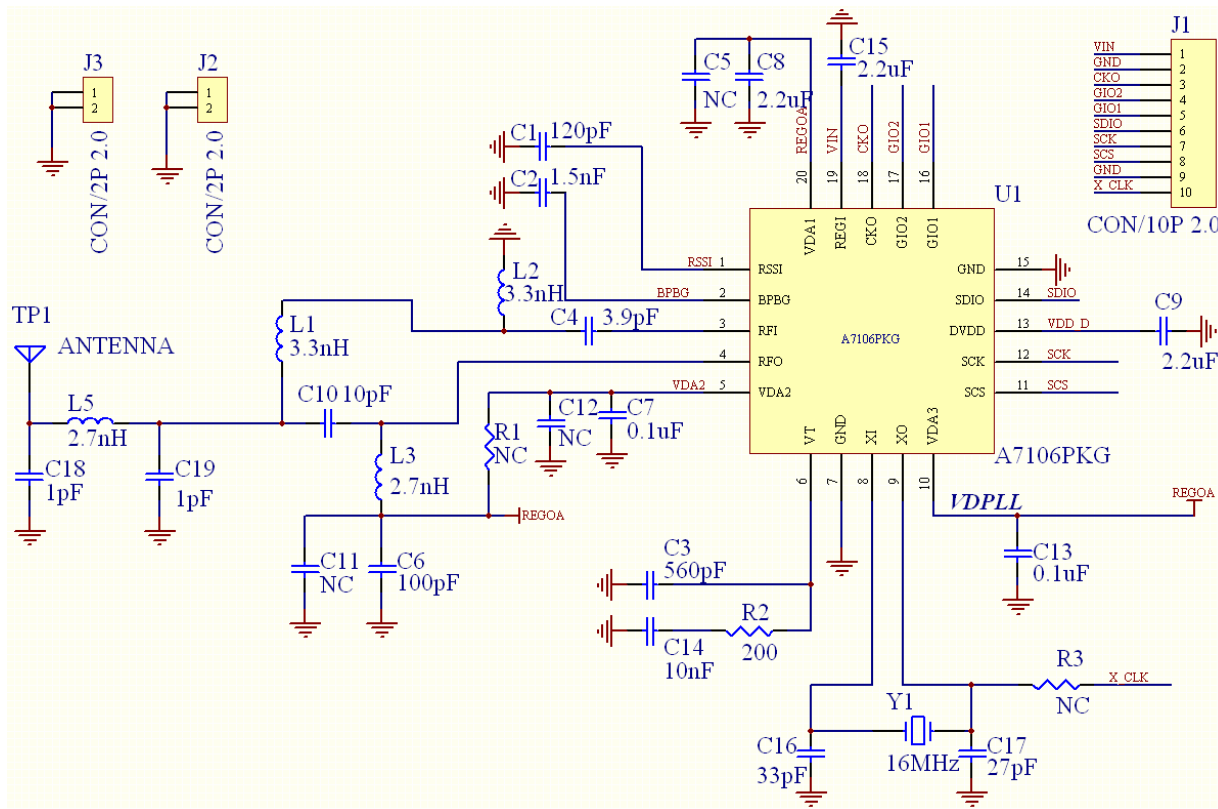


 Silverlit Toys Manufactory Ltd. 1701-03, World Trade Centre, 280 Gloucester Road, Causeway Bay, Hong Kong.		DWG. NAME	SCHMATIC CIRCUIT		
		ITEM NO.	84601	ITEM NAME	HELI 3CH: R/C SPY CAM II 2.4G(TX)
PAGE		1 OF 1		DRAWN/DATE	Albert/Jul12-2012
				CHK/DATE	Nelson/Jul12-2012
APP/DATE		Owen/Jul12-2012			

**7. Application circuit**

Below are AMICCOM's ref. design module, MD7106-A01, circuit example and its PCB layout.



1. A7106 schematic for RF layouts with single ended 50Ω RF output.
2. C16 and C17 must be matched to the crystal's load capacitance (Cload). Y1 is a 16MHz crystal with 18 pF Cload, max 80ohm ESR and 20 ppm tolerance. Please see application note for detail.