

FCC ID: OYK-TX0002G4-1112

Technical Description (Controller):

The brief circuit description is listed as follows :

U1 and associated circuit act as Encoder (XXX8P259N).

U2 and associated circuit act as Voltage Regulator.

U3 and associated circuit act as 2.4GHz RF Modular (WT24C02).

Q1 and associated circuit act as Charging part.

Q2 and associated circuit act as Motor Driver.

Antenna Used:

An internal, integral antenna has been used.

Frequency Table (Channel 00-23)							
Channel	Fequency(MHz)	Channel	Fequency(MHz)	Channel	Fequency(MHz)	Channel	Fequency(MHz)
00	2402	04	2410	11	2421	17	2430
01	2404	05	2412	12	2422	18	2432
02	2406	06	2414	13	2424	19	2433
03	2408	07	2415	14	2425	20	2434
		08	2416	15	2427	21	2436
		09	2417	16	2428	22	2437
		10	2418			23	2439
Frequency Table (Channel 24-50)							
Channel	Fequency(MHz)	Channel	Fequency(MHz)	Channel	Fequency(MHz)	Channel	Fequency(MHz)
24	2440	31	2451	36	2460	44	2470
25	2442	32	2452	37	2461	45	2471
26	2443	33	2454	38	2463	46	2472
27	2444	34	2455	39	2464	47	2473
28	2445	35	2457	40	2465	48	2475
29	2446			41	2466	49	2476
30	2448			42	2467	50	2478
				43	2469		

1 General Description

The XXX8P259N is an 8-bit microprocessor designed and developed with low-power and high-speed CMOS technology. The device has an on-chip 2K×13-bit Electrical One Time Programmable Read Only Memory (OTP-ROM). It provides a protection bit to prevent intrusion of user's code. Three Code option words are also available to meet user's requirements.

With its enhanced OTP-ROM feature, the XXX8P259N provides a convenient way of developing and verifying user's programs. Moreover, this OTP device offers the advantages of easy and effective program updates, using development and programming tools. User can avail of the Writer to easily program 12.90jis development code.

2 Features

- CPU configuration
 - 2K×13 bits on-chip ROM
 - 80×8 bits on-chip registers (SRAM)
 - 8-level stacks for subroutine nesting
 - Less than 1.9 mA at 5V/4MHz
 - Typically 15 µA, at 3V/32kHz
 - Typically 1 µA, during Sleep mode
- I/O port configuration
 - 3 bidirectional I/O ports : P5, P6, P7
 - 17 I/O pins
 - Wake-up port : P5
 - 8 Programmable pull-down I/O pins
 - 8 programmable pull-high I/O pins
 - 8 programmable open-drain I/O pins
 - External interrupt : P60
- Operating voltage range
 - Operating voltage: 2.3V~5.5V (Commercial)
 - Operating voltage: 2.5V~5.5V (Industrial)
- Operating temperature range
 - Operating temperature: 0°C ~70°C (Commercial)
 - Operating temperature: -40°C ~85°C (Industrial)
- Operating frequency range
 - Crystal mode:
DC~20MHz/2clks @ 5V, DC~100ns inst. cycle @ 5V
DC~8MHz/2clks @ 3V, DC~250ns inst. cycle @ 3V
 - ERC mode:
DC~16MHz/2clks @ 5V, DC~125ns inst. cycle @ 5V
DC~8MHz/2clks @ 3V, DC~250ns inst. cycle @ 3V
 - IRC mode:
Oscillation mode : 4MHz, 8MHz, 1MHz, 455kHz

All the four main frequencies can be trimmed by programming with four calibrated bits in the ICE259N Simulator. OTP is auto trimmed by ELAN Writer.

- Peripheral configuration
 - 8-bit real time clock/counter (TCC) with selective signal sources, trigger edges, and overflow interrupt
 - 8-bit real time clock/counter (TCCA, TCCC) and 16-bit real time clock/counter (TCCB) with selective signal sources, trigger edges, and overflow interrupt
 - 4-bit channel Analog-to-Digital Converter with 12-bit resolution in Vref mode
 - Easily implemented IR (Infrared remote control) application circuit
 - One pair of comparators or OP
- Six available interrupts:
 - TCC, TCCA, TCCB, TCCC overflow interrupt
 - Input-port status changed interrupt (wake-up from sleep mode)
 - External interrupt
 - ADC completion interrupt
 - Comparators status change interrupt
 - IR/PWM interrupt
- Special features
 - Programmable free running watchdog timer (4.5ms : 18ms)
 - Power saving Sleep mode
 - Selectable Oscillation mode
 - Power-on voltage detector (2.0V ± 0.1V)

Internal RC Frequency	Drift Rate			
	Temperature (-40°C~85°C)	Voltage (2.3V~5.5V)	Process	Total
4 MHz	±10%	±5%	±4%	±19%
8 MHz	±10%	±6%	±4%	±20%
1 MHz	±10%	±5%	±4%	±19%
455kHz	±10%	±5%	±4%	±19%

Note: Green products do not contain hazardous substances.



DATA SHEET

WT24C02V02

2.4 GHz ISM Band RF Transceiver Module

Production Specification

Wailly Technology Ltd.
Unit 503-505, Fook Hong Industrial Building,
19 Sheung Yuet Road, Kowloon Bay, Kowloon, Hong Kong.
TEL: (852) 2756 4500
FAX: (852) 2624 8510
<http://www.wailly.net>

CONTENTS

1. Description
2. Key features
3. Applications
4. Electrical characteristics
5. Module PCB drawing and I/O pin assignment
6. Digital base band interface and control
7. Application Circuit

2.4 GHZ ISM BAND RF TRANSCEIVER MODULE

1. Description

The WT24C02V02 is a 2.4GHz ISM band RF transceiver module consists of EM198810 transceiver. In normal applications, WT24C02V02 module is connected to a low cost microcontroller .

The on-chip framer processes and stores the RF data in the background, unloading this critical timing function from the MCU. This lowers MCU speed requirements, expedites product development time, and frees the MCU for implementing additional product features.

This module has high transmission data rate; low current consumption and simple control interface is easy to apply to the wireless products.

2. Key Features:

- Combines 2.4 GHz GFSK RF transceiver with 8-bit data framer function
- Simple microcontroller interface – 4 wires for SPI, plus 3 wires for RST/buffer control
- Each transmit, receive buffer is 64 bytes deep
- Long packets are possible if buffers are read/written before overflow/underflow occurs
- Always 1Mbps over-the-air symbol rate, regardless of MCU speed or architecture
- Preamble can be 1 to 8 bytes
- Supports 1, 2, 3, or 4 word address (up to 64 bits)
- Various Payload data formats to eliminate DC offset, enhance receive clock recovery and BER
- Supports Forward Error Correction (FEC): none, 1/3
- Supports 16-bit CRC
- Power management for minimizing current consumption
- **FCC certified for unlicensed operation**

3. Applications

- Wireless devices that need quick time-to-market
- Wireless mouse, keyboard, joystick
- Wireless data communication
- Wireless security and access control
- Home and factory automation
- Toys
- Telemetry
- Industrial sensors
- Battery powered wireless devices

4. Electrical Characteristics

4.1 Absolute maximum rating

Parameter	Symbol	Rating			Unit
		Min.	Typ.	Max.	
Operating Temp.	TOP	-20		+70	°C
Storage Temp.	TSTORAGE	-30		+80	°C
VDD_IO Supply Voltage	VDDIO_MAX			+3.7	VDC
VDD Supply Voltage	VDD_MAX			+2.5	VDC
Applied Voltages to Other Pins	VOTHER	-0.3		+3.7	VDC

- Table 1 -

4.2 Characteristics

The following specifications are guaranteed for TA=25°C, unless otherwise noted:

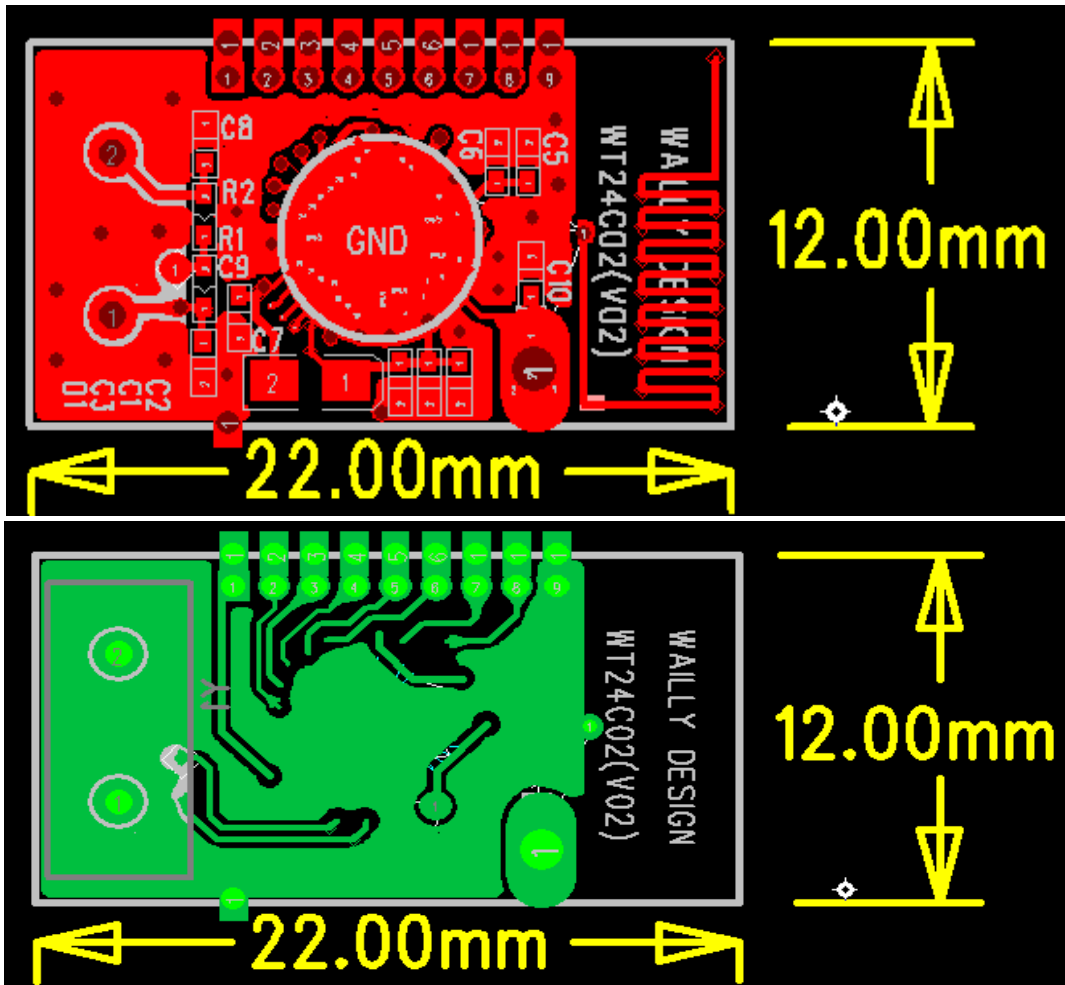
Parameter	Symbol	Specification			Unit	Test Condition and Notes
		Min.	Typ.	Max.		
Current Consumption						
Current Consumption - TX	IDD_TX		29		mA	
Current Consumption - RX	IDD_RX		27		mA	
Current Consumption – DEEP IDLE	IDD_D_IDLE		1.9		mA	RF Synthesizer and VCO: OFF
Current Consumption – SLEEP	IDD_SLP		15		uA	
Digital Inputs						
Logic input high	VIH	0.8VDD _{io}		VDD _{io}	V	
Logic input low	VIL	0		0.8	V	
Digital Outputs						
Logic output high	VOH	0.8VDD _{io}		VDD _{io}	V	
Logic output low	VOL			0.4	V	
Overall Transceiver						
Operating Frequency Range	F_OP	2400		2482	MHz	
Receive Section: @ BER ≤ 0.1%						
Receiver sensitivity			-83		dBm	Conductive measurement.
Maximum useable signal		-20			dBm	
Transmit Section: Reg. 9, bits 15-8 set to 00000000						
RF Output Power	P _{AV}		+0		dBm	Conductive measurement.

- Table 2 -

5. Module Drawing and I/O Pin Assignment

5.1 PCB drawing

* PCB size: 22 x 12 x 1.0 mm



(top)

(bottom)

5.2 I/O Pin function

Pin	Name	Description
1	VDD	Power supply voltage +3.3V.
2	SPI_MISO	Data output for the SPI bus.
3	RESET_n	When RESET_n is low, most of the chip shuts down to conserve power. When raised high, RESET_n is used to turn on the chip, restoring all registers to their default value.
4	SPI_CLK	Clock line for the SPI bus.
5	SPI_MOSI	Data input for the SPI bus.
6	SPI_SS	Enable line for the SPI bus. Active low.
7	NC	
8	PKT_FLAG	Transmit/Receive packet process flag.
9	GND	Ground connection.

- Table 3 -

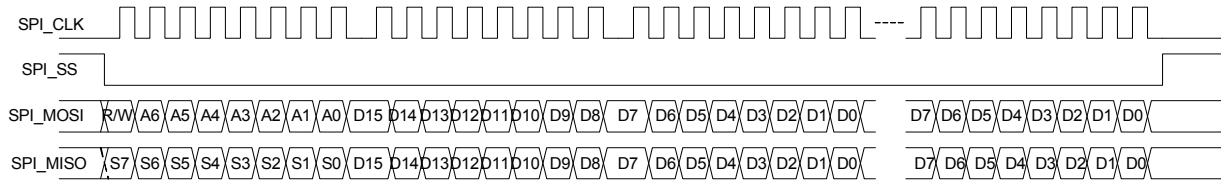
6. Digital base band interface and control

6.1 SPI Command Format

The SPI interface is used to program the module via the 4 pins SPI_CLK, SPI_SS, SPI_MOSI and SPI_MISO. The SPI_MOSI and SPI_CLK pins are used to load data into an internal shift register. The SPI_MOSI and SPI_CLK pins are use to send data to microcontroller.

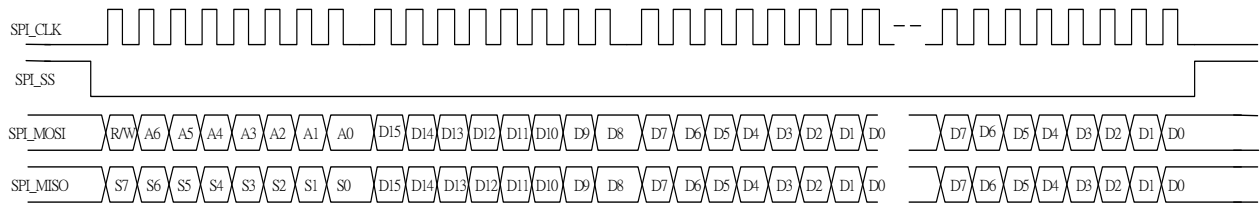
Format 1

CKPHA = 0:



Format 2

CKPHA = 1:



- Fig. 3 -

Note: Default setting is format 1.

6.2 Register Information

6.2.1 Package type define and FIFO point set



↑
Automatically set FIFO write_point=0,when RX received SYNC.

Automatically set FIFO read_point=0,when RX received SYNC or after transmit SYNC when TX.

- * Preamble: 1 ~ 8 bytes programmable
- * SYNC: 32/48/64 bits programmable as device syncword
- * Trailer: 4~16 bits programmable
- * Payload: TX/RX data, there are 4 data types: raw data, 8_10 bits, Manchester, interleave with FEC option
- * CRC: 16 bit CRC is option

Note: For transmit, it is needed to clear FIFO write point before application write in data via access reg82[15].

6.2.2 Digital interface

RF module interface with uC consisting of SPI interface plus two handshake signals (Table 2).

The WT24C02V02 SPI can only support slave mode, SPI clock \leq 12MHz.

Pin	Description
SPI_CLK	SPI clock input
SPI_SS	SPI slave select input
SPI_MOSI	SPI data in
SPI_MISO	SPI data out
PKT_FLAG	Packet TX/RX flag
RESET_n	Reset input, active low

- Table 2 -

6.2.3 Typical register values

The following register values are recommended.

RF initiation

Reg address	Read/Write	Default value (Hexadecimal)	Recommend value (12MHz crystal frequency) (Hexadecimal)
0x09	R/W	3003	2182
0x00	R/W	CD51	345D
0x02	R/W	137B	1E01
0x04	R/W	3CD0	BCF0
0x05	R/W	0081	00A1
0x07	R/W	0030	124C
0x08	R/W	0404	8000
0x0A	R/W	0004	0004
0x0B	R/W	4041	4041
0x0C	R/W	0000	8000
0x0D	R/W	0000	0000
0x0E	R/W	6697	169B
0x0F	R/W	017B	0DED
0x10	R/W	F000	B000
0x12	R/W	E000	E000
0x13	R/W	2114	A114
0x14	R/W	819C	8195
0x15	R/W	6962	6962
0x16	R/W	0402	0002
0x17	R/W	0802	0002
0x18	R/W	B040	B140
0x19	R/W	7819	A80F
0x1A	R/W	6704	3F07
0x1C	R/W	1800	5800

- Table 5 -

Framer initiation

Reg address	Read/Write	Default value (Hexadecimal)	Recommend value (12MHz crystal frequency) (Hexadecimal)
0x30	R/W	5800	9800
0x31	R/W	C00F	FF8F
0x32	R/W	9628	8018
0x33	R/W	8300	8056
0x34	R/W	0000	4EF6
0x35	R/W	0000	F6F5
0x36	R/W	0000	185C

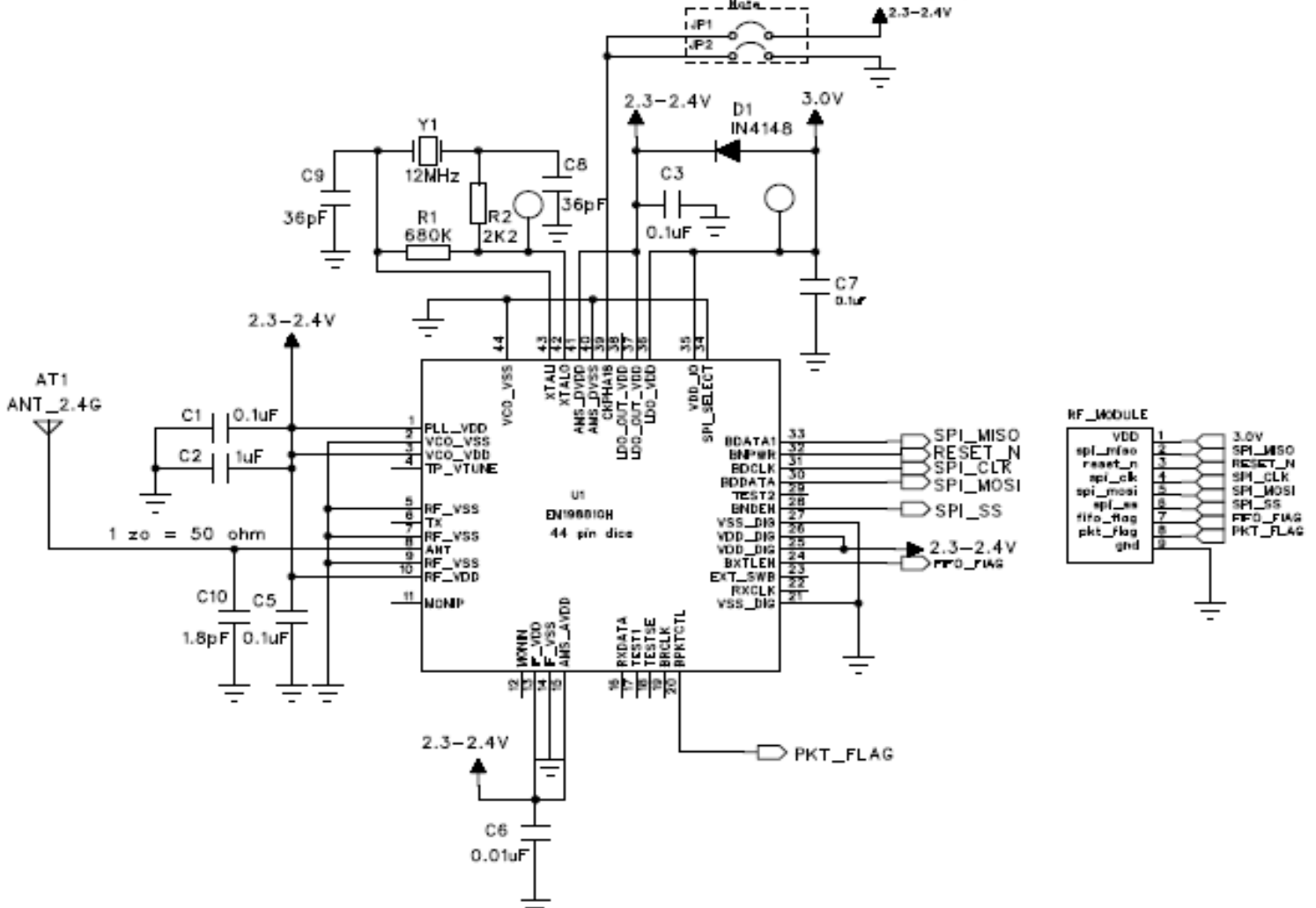
0x37	R/W	0000	D651
0x38	R/W	4407	4444
0x39	R/W	B000	E000

- Table 6 -

7. Application Circuit

C8,C9:depend on the Y1 load capacitance +OSCO/OSCI pad of PCB capacitance

Note:When 0,SPI_MOSI data clocked in on rising edge of SPI_CLK
When 1,SPI_MOSI data clocked in on falling edge of SPI_CLK



BOM list

Comment	Description	Tolerance	Designator	Quantity	Remark
1.8P/10V	1005 NPO Ceramic Capacitor	±0.25P	C10	1	Darfon/Murata or equal
36P/10V	1005 NPO Ceramic Capacitor	±5%	C8	1	Darfon/Murata or equal
36P/10V	1005 NPO Ceramic Capacitor	±5%	C9	1	Darfon/Murata or equal
10n/10V	1005 X7R Ceramic Capacitor	±10%	C6	1	Darfon/Murata or equal
100n/10V	1005 X7R Ceramic Capacitor	±10%	C1, C3, C5, C7.	4	Darfon/Murata or equal
1u/6.3V	1005 Y5V Ceramic Capacitor	±20%	C2	1	Darfon/Murata or equal
2K2	1005 Carbon Film Resistor	± 5%	R2	1	Yageo or equal
680K	1005 Carbon Film Resistor	± 5%	R1	1	Yageo or equal
EM198810H	RF IC		U1	1	Elan
12MHz Crystal	HC-49US/CL20P	± 20ppm	Y1	1	LZ or equal
ANT	Diameter 1.2mm ,Length 31mm copper wire		ANT	1	
1N4148	Silicon Epitaxial Planar Diode(SMD)			1	
PCB	22 x 12 x 1.0 mm FR-4 PCB			1	

- Table 7 -

This spec is subject to change without any notice



WAILLY TECHNOLOGY LTD.

Hong Kong:

Wailly Technology Ltd.
Unit 503-505, Fook Hong Industrial Building,
19 Sheung Yuet Road, Kowloon Bay, Kowloon, Hong Kong.
TEL: (852) 2756 4500
FAX: (852) 2624 8510
<http://www.wailly.net>



DATA SHEET

EM198810

2.4 GHz ISM Band Transceiver/Framer IC

Production Data Sheet

ELAN MICROELECTRONICS CORP.
No.12, Innovation 1st RD., Science-based Industrial Park
Hsin Chu, Taiwan, R.O.C.
TEL: (03) 5639977
FAX: (03) 5782037(SL) 5630118 (SA2)

CONTENTS

1. Features
2. Block Diagram
3. Pins/pads name and pins/pads location
 - 3.1 Pins name
 - 3.2 Package outline
 - 3.3 Pads name and location
 - 3.4 Order information
4. Digital Base Band Interface
 - 4.1 SPI Command Format
 - 4.2 Register Information
 - 4.2.1 Package type define and FIFO point set**
 - 4.2.2 Digital Interface**
 - 4.2.3 Typical Register Values**
 - 4.2.4 State Diagram**
5. Electrical Characteristics
6. Application Reference Design
7. Soldering

2.4 GHz ISM BAND TRANSCEIVER/FRAMER IC

1. FEATURES

The EM198810 is a CMOS integrated circuit that performs all functions from the antenna to the microcontroller for transmission and reception of a 2.4GHz digital data. This transceiver IC integrates most of the functions required for data transmission into a single integrated circuit. Additionally, the programmability implemented reduces significantly external components count, board space requirements and external adjustments.

Key Features:

- Combines 2.4 GHz GFSK RF transceiver with 8-bit data framer function
- Eliminates need for external software or hardware FIFO; offloads MCU for other tasks
- Simple microprocessor interface – 4 wires for SPI, plus 3 wires for RST/buffer control
- Each transmit, receive buffer is 64 bytes deep
- Long packets are possible if buffers are read/written before overflow/underflow occurs
- Always 1Mbps over-the-air symbol rate, regardless of MCU speed or architecture
- Preamble can be 1 to 8 bytes
- Supports 1, 2, 3, or 4 word address (up to 64 bits)
- Various Payload data formats to eliminate DC offset, enhance receive clock recovery and BER
- Programmable data whitening
- Supports Forward Error Correction (FEC): none, 1/3, or 2/3
- Supports 16-bit CRC
- Baseband output clock available
- Power management for minimizing current consumption
- 5x5mm QFN package with minimum RF parasitic
- Lead-free packaging and dice is available on request

Applications

- Wireless devices that need quick time-to-market
- Simple and fast wireless data networks
- Cordless headsets and Cellular Phones
- Wireless streaming audio
- Wireless voice and VOIP
- Wireless Skype earphone
- Home and factory automation
- Wireless security and access control
- Battery Powered wireless devices

1.1 Description

The Elan EM198810 IC is a low-cost, fully integrated CMOS radio frequency (RF) transceiver block, combined with a 64-byte buffered framer block. The RF transceiver block is a self-contained, fast-hopping GFSK data modem, optimised for use in the widely available 2.4 GHz ISM band. It contains transmit, receive, VCO and PLL functions, including an on-chip channel filter and resonator, thus minimizing the need for external components. The receiver utilizes extensive digital processing for excellent overall performance, even in the presence of interference and transmitter impairments. Transmit power is digitally controlled. The low-IF receiver architecture results in sensitivity to -80dBm or better, with impressive selectivity.

In normal applications, the EM198810 is connected to a low cost microcontroller(ex:EM78P451S).

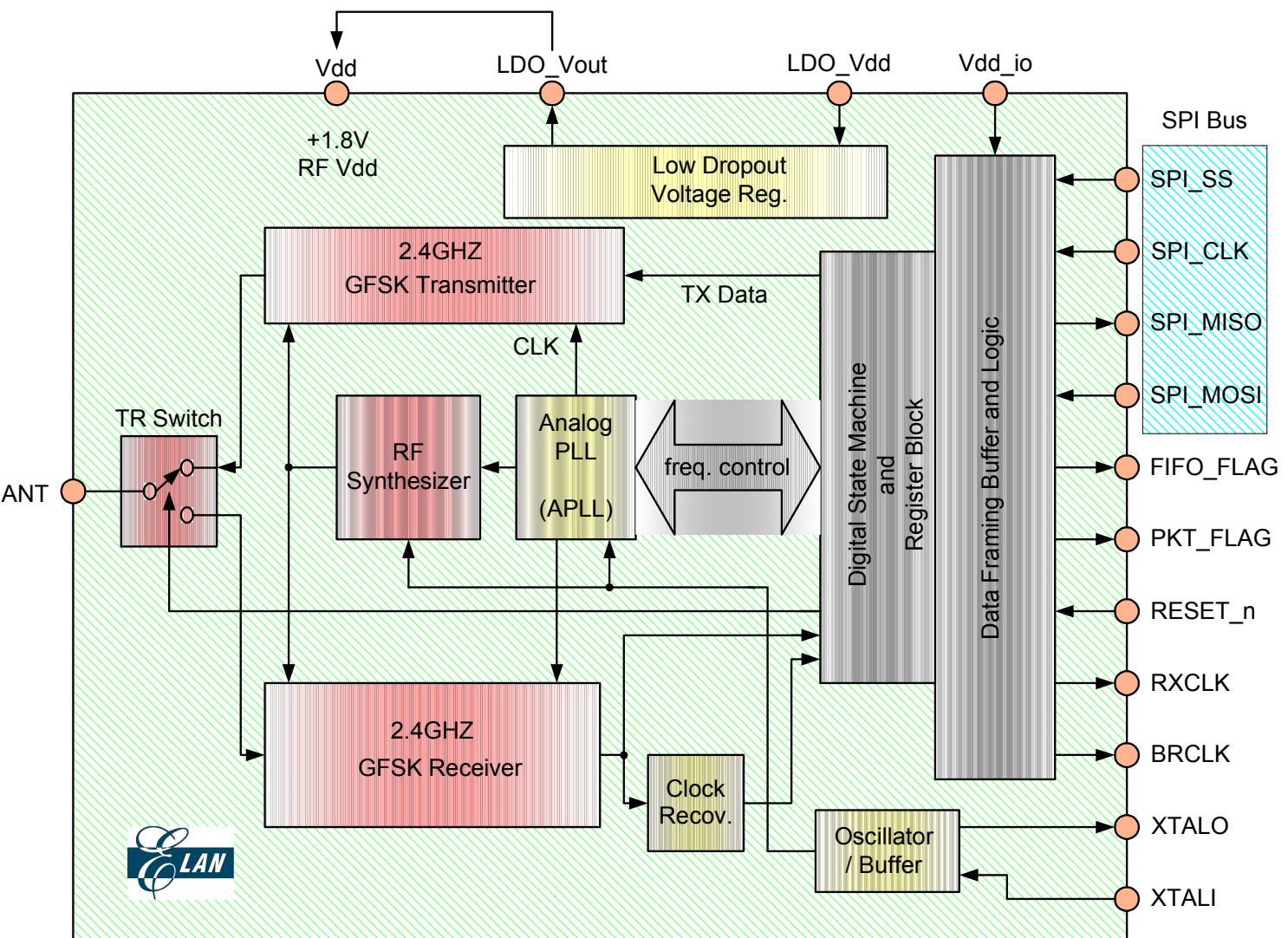
In normal application The on-chip framer processes and stores the RF data in the background, unloading this critical timing function from the MCU. This lowers MCU speed requirements, expedites product development time, and frees the MCU for implementing additional product features.

The framer register settings determine the over-the-air formatting characteristics. Many configurations are possible, depending on the user's specific needs. Raw transmit data is easily sent over-the-air as a complete frame of data, with preamble, address, payload, and CRC. Receiving data is just the opposite, using the preamble to train the receiver clock recovery, then the address is checked, then the data is reverse formatted for receive, followed by CRC. All of this is done in hardware to ease the programming and overhead requirements of the baseband MCU.

For longer battery life, power consumption is minimized by automatic enabling of the various transmit, receive, PLL, and PA sections, depending on the instantaneous state of the chip. A sleep mode is also provided for ultra low current consumption.

This product is available in 32-lead 5x5 mm JEDEC standard QFN package, featuring an exposed pad on the bottom for best RF characteristics. Lead-free RoHS compliant packaging is available on request.

2. Block diagram



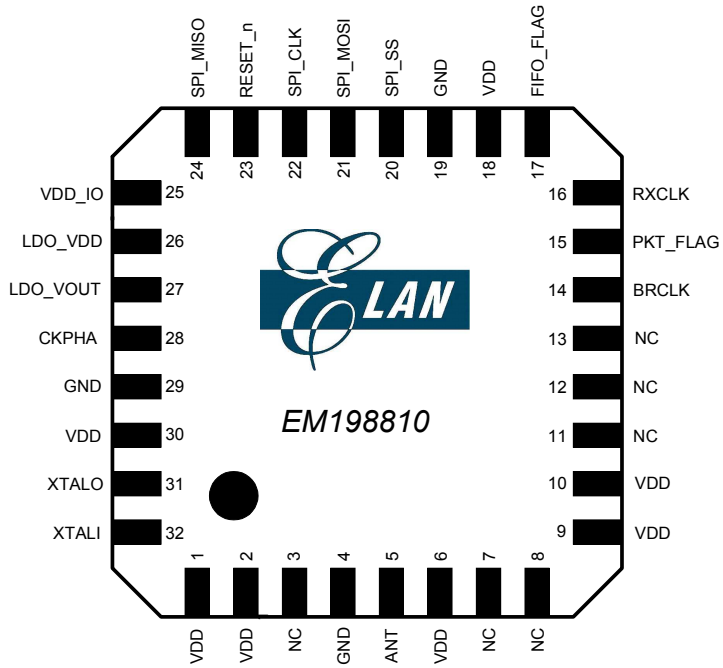
- Fig. 1 -

3. Pins names and pins location

3.1 Pins names

SYMBOL	Type	PIN	DESCRIPTION
VDD	PWR	1	Power supply voltage.
VDD	PWR	2	
NC	--	3	DO NOT CONNECT. Reserved for factory test.
GND	GND	4	Ground connection.
ANT	50Ω RF	5	RF input/output.
VDD	PWR	6	Power supply voltage.
NC	--	7	DO NOT CONNECT. Reserved for factory test.
NC	--	8	
VDD	PWR	9	Power supply voltage.
VDD	PWR	10	
NC	--	11	DO NOT CONNECT. Reserved for factory test.
NC	--	12	
NC	--	13	
BRCLK	O	14	Outputs 1MHz TX symbol clock, 12MHz APLL, or crystal clock. See register definitions for details.
PKT_FLAG	O	15	Transmit/Receive packet process flag.
RXCLK	O	16	Receiver symbol timing clock recovery output. Fixed at 1MHz fundamental rate.
FIFO_FLAG	O	17	FIFO full/empty flag.
VDD	PWR	18	Power supply voltage.
GND	GND	19	Ground connection.
SPI_SS	I	20	Enable line for the SPI bus. Active low.
SPI_MOSI	I	21	Data input for the SPI bus.
SPI_CLK	I	22	Clock line for the SPI bus.
RESET_n	I	23	When RESET_n is low, most of the chip shuts down to conserve power. When raised high, RESET_n is used to turn on the chip, restoring all registers to their default value.
SPI_MISO	O	24	Data output for the SPI bus.
VDD_IO	PWR	25	Vdd for the digital i/o pins. Nominally +3.3 VDC.
LDO_VDD	PWR	26	Unregulated input to the on-chip LDO volt. regulator.
LDO_OUT	PWR	27	+1.8V output of the on-chip LDO voltage regulator.
CKPHA	DI	28	SPI clock phase. When 0, SPI_MOSI data clocked in on rising edge of SPI_CLK. When 1, SPI_MOSI data clocked in on falling edge of SPI_CLK.
GND	GND	29	Ground connection.
VDD	PWR	30	Power supply voltage.
XTALO	AO	31	Output of the crystal oscillator gain block.
XTALI	AI	32	Input to the crystal oscillator gain block.
GND	GND	Exposed pad	Ground connection.

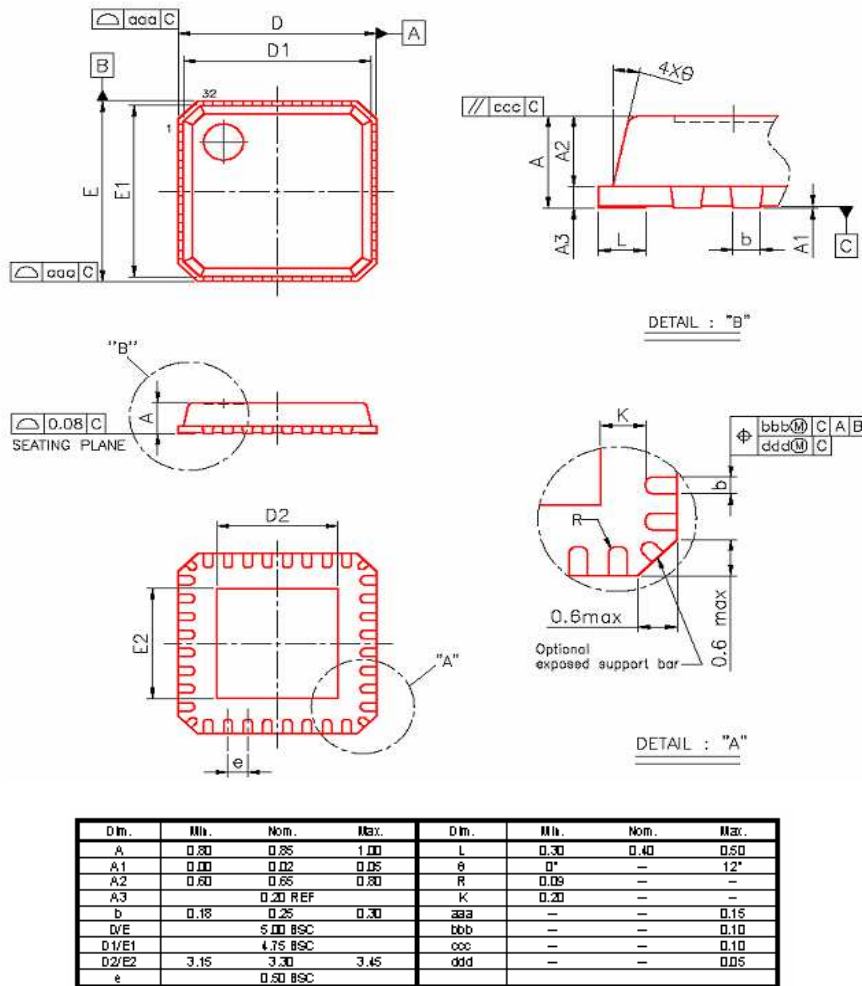
- Table 1 -



- Figure 2 -

3.2 Package Outline

QFN32 Lead Exposed Pad Package, 5x5 mm Pkg. 0.5mm Pitch (JEDEC) MO-220-A



3.3 Pads name and location

SYMBOL	PAD no	Center pad position	
		X um	Y um
PLL_VDD(A)	1	41.71	1629.675
VCO-VSS(A)	2	41.71	1505.481
VCO_VDD(A)	3	41.71	1385.661
TP_VTUNE(A)	4	41.71	1264.66
RF_VSS(A)	5	41.71	1025.481
TX(A)	6	41.71	904.661
RF_VSS(A)	7	41.71	785.482
ANT(A)	8	41.71	664.661
RF_VSS(A)	9	41.71	545.482
RF_VDD(A)	10	41.71	425.662
MONIp(A)	11	41.71	184.8
MONIn(A)	12	228.8	41.71
IF_VDD(A)	13	347.799	41.71
IF_VSS(A)	14	467.979	41.71
AMS_AVDD(A)(IF_VDD(A))	15	587.62	41.71
RXDATA(A)	16	1465.94	40.71
TEST1	17	1585.94	40.71
Testse(A)	18	1705.94	40.71
BRCLK(D)	19	1825.94	40.71
BPKTCTL(D)	20	1945.94	40.71
VSS_DIG(D)	21	2087.058	227.595
RXCLK(D)	22	2087.058	346.595
ext_swb(D)	23	2087.058	466.595
BXTLEN(D)	24	2087.058	586.595
VDD_DIG(D)	25	2087.058	706.595
VDD_DIG(D)	26	2087.058	826.595
VSS_DIG(D)	27	2087.058	947.595
BnDEN(D)	28	2087.058	1066.595
TEST2(D)	29	2087.058	1186.595
BDDATA(D)	30	2087.058	1306.595
BDCLK(D)	31	2087.058	1427.501
BnPWR(D)	32	2087.058	1546.594
BDATA1(D)	33	2087.058	1671.661
spi_select(D)	34	1891.458	1811.551
VDD_IO(D)	35	1768.299	1811.551
LDO_VDD(A)	36	1571.298	1811.551
LDO_OUT_VDD(A)	37	1444.377	1810.551
LDO_OUT_VDD(A)	38	1324.379	1810.551
ckpha18(A)	39	1205.286	1811.551
AMS_DVSS(A)	40	1081.401	1810.551
AMS_DVDD(A)	41	961.221	1810.551
XTALO(A)	42	839.399	1810.65
XTALI(A)	43	677.411	1810.65
VCO_VSS(A)	44	266.913	1810.553

- Table 2 -

3.4 Order information

Type number	Package	
	Name	Description
EM198810W	QFN32	Plastic, quad flat package; no leads; 32 terminals; body 5 x 5 x 0.8 mm
EM198810H	Bare die	available

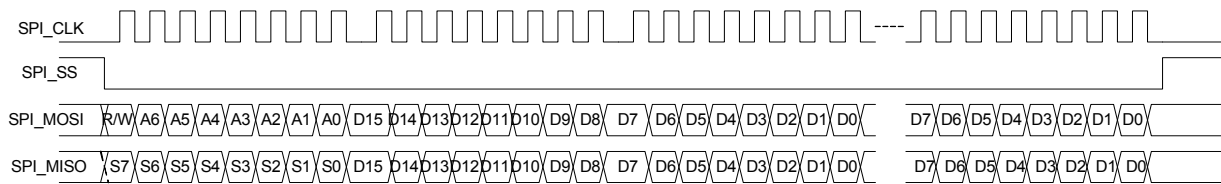
4 Digital Base Band Interface

4.1 SPI Command Format

The SPI interface is used to program the IC via the 4 pins SPI_CLK, SPI_SS, SPI_MOSI and SPI_MISO. The SPI_MOSI and SPI_CLK pins are used to load data into an internal shift register. The SPI_MOSI and SPI_CLK pins are used to send data to microcontroller. The data are loaded into the shift register and sent to microcontroller on the falling edge of the clock SPI_CLK and latched on the rising edge of the SPI_SS signal. When the SPI_SS pin is high, the data stored in the shift register is retained even if a SPI_CLK is applied. When the SPI_SS pin is low the data can be rewritten and resent. Inputs timing of the SPI_CLK, SPI_SS, SPI_MOSI and SPI_MISOD are shown in the Fig.3.

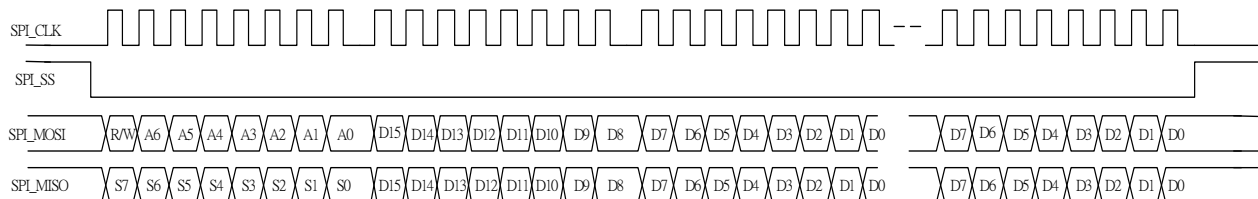
Format 1

CKPHA = 0:



Format 2

CKPHA = 1:



- Fig. 3 -

4.2 Register Information

4.2.1 Package type define and FIFO point set



↑
Automatically set FIFO write_point=0
when RX received SYNC
Automatically set FIFO read_point=0
when RX received SYNC or after transmit SYNC when TX

- Figure 4 -

- * Preamble: 1 ~ 8 bytes programmable
- * SYNC: 32/48/64 bits programmable as device syncword
- * Trailer: 4~16 bits programmable
- * Payload: TX/RX data, there are 4 data types: raw data, 8_10 bits, Manchester, interleave , with FEC option
- * CRC: 16 bit CRC is option

Note: For transmit, it is needed to clear FIFO write point before application write in data via access reg82[15].

4.2.2 Digital Interface

It is very simple interface with application, consisting of SPI interface plus two handshake signals (Table 2).

The EM198810 SPI can only support slave mode.

Pin	Description
SPI_CLK	SPI clock input
SPI_SS	SPI slave select input
SPI_MOSI	SPI data in
SPI_MISO	SPI data out
PKT_FLAG	Packet TX/RX flag
FIFO_FLAG	FIFO full/empty
RESET_n	Reset input, active low

- Table 3 -

4.2.3 Typical Register Values

The following register values (Table 3) are recommended for the Elan Microelectronics details define refer to registers definitions

Reg. address	Read/Write	Default value (Hexadecimal)	Recommend value (12MHz crystal frequency) (Hexadecimal)
0	R/W	0000	CD51
2	R/W	00C1	0061
4	R/W	0688	3CD0
5	R/W	0041	00A1
9	R/W	0003	3003
14	R/W	6617	6697
16	R/W	0000	F000
18	R/W	FC00	E000
19	R/W	0014	2114
20	R/W	8103	819C
21	R/W	0962	6962
22	R/W	2602	0402
23	R/W	2602	0802
24	R/W	30C0	B080
25	R/W	3814	7819
26	R/W	5304	6704
48	R/W	1800	5800
51	R/W	4000	A000
56	R/W	4407	4407
57	R/W	B000	E000*

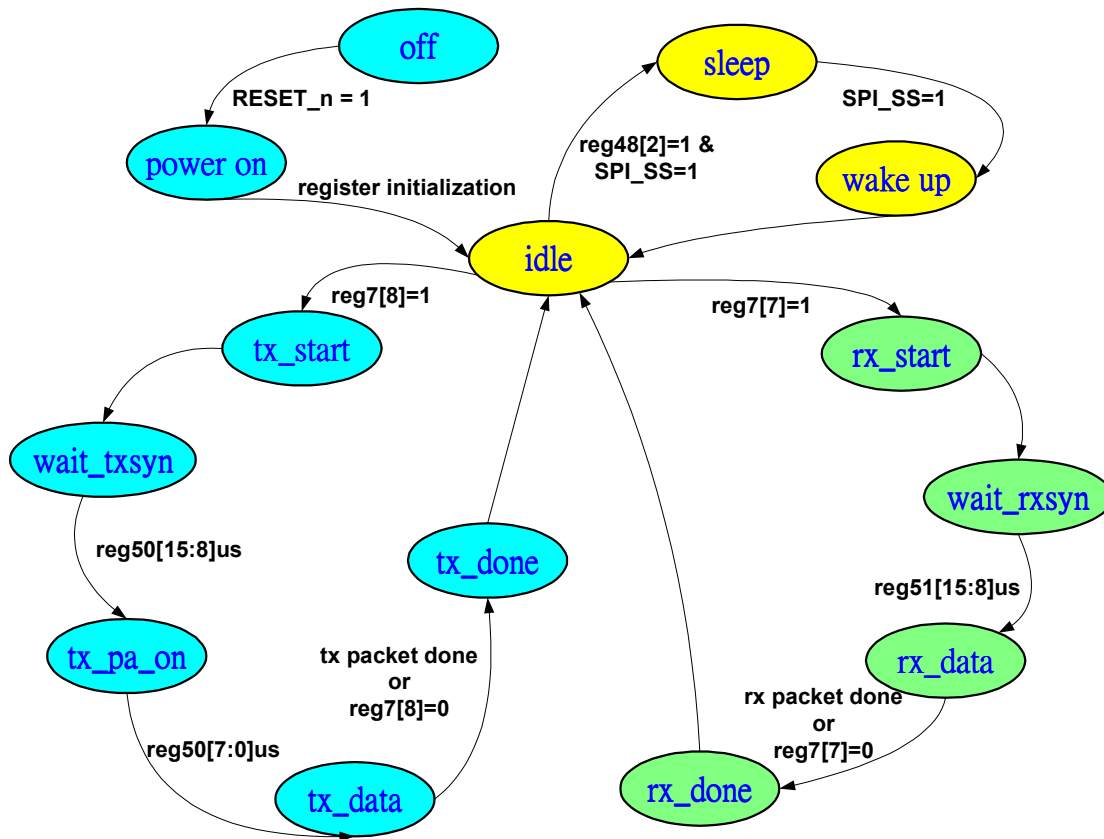
- Table 4 -

- Reg57, if MCU handle packet length and framer detect FIFO fully empty, Reg57=0xC080
- Reg57, if MCU handle packet length and terminates TX done, Reg57=0xC000

For more detail description about digital base band interface, please refer to application note AN198810-1.

For the latest register value recommendations, please contact Elan Microelectronics technical group.

4.2.4 State Diagram



- Figure 5 -

5. Electrical Characteristics

5.1 Absolute Maximum Rating

Parameter	Symbol	Rating			Unit
		Min.	Typ.	Max.	
Operating Temp.	T_{OP}	-40		+85	°C
Storage Temp.	$T_{STORAGE}$	-55		+125	°C
VDD_IO Supply Voltage	V_{DDIO_MAX}			+3.7	VDC
VDD Supply Voltage	V_{DD_MAX}			+2.5	VDC
Applied Voltages to Other Pins	V_{OTHER}	-0.3		+3.7	VDC
Input RF Level	P_{IN}			+10	dBm
Output Load mismatch ($Z_0=50$ ohm)	$V_{SWR_{OUT}}$			10:1	VSWR

- Table 5 -

Note: 1. Absolute Maximum Ratings indicate limits beyond which damage to the device may occur. Recommended operating conditions indicate conditions for which the device is intended to be functional, but do not guarantee specific performance limits. For guaranteed specifications and test conditions, see the Electrical Characteristics section below.

2. These devices are electro-static sensitive. Devices should be transported and stored in anti-static containers. Equipment and personnel contacting the devices need to be properly grounded. Cover workbenches with grounded conductive mats.

5.2 Characteristics

The following specifications are guaranteed for $T_A=25^\circ\text{C}$, $V_{DD}=1.80\pm 0.18\text{VDC}$, unless otherwise noted:

Parameter	Symbol	Specification			Unit	Test Condition and Notes
		Min.	Typ.	Max.		
Current Consumption						
Current Consumption - TX	I_{DD_TX}		26		mA	P_{OUT} = nominal output power
Current Consumption - RX	I_{DD_RX}		25		mA	
Current Consumption – DEEP IDLE	$I_{DD_D_IDLE}$		1.9		mA	RF Synthesizer and VCO: OFF (see Reg. 21)
Current Consumption – SLEEP	I_{DD_SLP}		3.5		uA	
Digital Inputs						
Logic input high	V_{IH}	$0.8V_{DD_io}$		V_{DD_io}	V	
Logic input low	V_{IL}	0		0.8	V	
Input Capacitance	C_{IN}			10	pF	
Input Leakage Current	I_{LEAK_IN}			10	uA	
Digital Outputs						
Logic output high	V_{OH}	$0.8V_{DD_io}$		V_{DD_io}	V	
Logic output low	V_{OL}			0.4	V	
Output Capacitance	C_{OUT}			10	pF	
Output Leakage Current	I_{LEAK_OUT}			10	uA	
Rise/Fall Time	T_{RISE_OUT}			5	nS	
Clock Signals						
BRCLK output frequency	F_{BRCLK}		1, 12, or xtal Freq.		MHz	Depends on Register settings. Always either: 1 MHz Tx clock, 12 MHz APLL clock (Tx, Rx, and Idle), or the buffered 12 MHz crystal oscillator frequency.
SPI_CLK rise, fall time	T_{r_spi}			200	nS	Requirement for error-free register reading, writing.
SPI_CLK frequency range	F_{SPI}	0	12		MHz	
Overall Transceiver						
Operating Frequency Range	F_{OP}	2402		2482	MHz	

Antenna port mismatch ($Z_0=50\Omega$)	VSWR _I		<2:1		VSWR	Receive mode. Meas. using 50 ohm balun.
	VSWR _O		<2:1		VSWR	Transmit mode. Meas. using 50 ohm balun.

Receive Section: @ BER \leq 0.1%

Receiver sensitivity			-85	-80	dBm	Meas. At antenna pin.
Maximum useable signal		-20			dBm	
Input 3rd order intercept point	IIP ₃	-14	-11		dBm	
Data (Symbol) rate	T _s		1		uS	

Min. Carrier/Interference ratio: @ BER \leq 0.1%

Co-Channel Interference	CI _{_cochannel}		9	11	dB	-60 dBm desired signal.
Adjacent Ch. Interference, 1MHz offset	CI _{_1}		-1.5	0	dB	-60 dBm desired signal.
Adjacent Ch. Interference, 2MHz offset	CI _{_2}		-30		dB	-60 dBm desired signal. Interference at 2 MHz below desired signal.
Adjacent Ch. Interference, \geq 3MHz offset	CI _{_3}		-40		dB	-67 dBm desired signal.
Image Frequency Interference	CI _{_image}		-23	-9	dB	-60 dBm desired signal. Image freq. is always 2 MHz higher than desired signal.
Adjacent interference to Image (1MHz)	CI _{_image_11}		-34	-20	dB	-67 dBm desired signal. Always 3 MHz higher than desired signal.
Out-of-Band Blocking	OBB _{_1}	-10			dBm	30 MHz to 2000 MHz
	OBB _{_2}	-27			dBm	2000 MHz to 2400 MHz
	OBB _{_3}	-27			dBm	2500 MHz to 3000 MHz
	OBB _{_4}	-10			dBm	3000 MHz to 12.75 GHz

Meas. with ACX BF2520 ceramic filter on ant. pin. Desired sig. -70dBm.

Transmit Section: Reg. 9, bits 15-8 set to 00000000

RF Output Power	P _{AV}		+2		dBm	Power Level 0 Meas. Using ACX BL2012 balun.
-----------------	-----------------	--	----	--	-----	--

Modulation Characteristics

Peak FM Demodulation.	00001111 pattern	Δf_{1avg}	280	314	350	KHz	
	01010101 pattern	Δf_{2max}	230			KHz	For at least 99.9% of all Δf_{2max} meas.
ISI, % Eye Open		$\Delta f_{2avg}/\Delta f_{1avg}$	80			%	1010 data sequence referenced to 00001111 data sequence
Zero Crossing Error	ZCERR		-125		+125	nS	+/- 1/8 of Symbol Period

In-Band Spurious Emission

+/- 550kHz	IBS _{_1}				-20	dBc	
2MHz offset	IBS _{_2}				-40	dBm	
>3MHz offset	IBS _{_3}				-60	dBm	

Out-of-Band Spurious Emission

Operation	OBS _{_O_1}		<-60	-36	dBm	30 MHz ~ 1 GHz
	OBS _{_O_2}		-45	-30	dBm	1 GHz ~ 12.75 GHz, excludes desired signal.
	OBS _{_O_3}		<-60	-47	dBm	1.8 GHz ~ 1.9 GHz
	OBS _{_O_4}		<-65	-47	dBm	5.15 GHz ~ 5.3 GHz

RF VCO and PLL Section

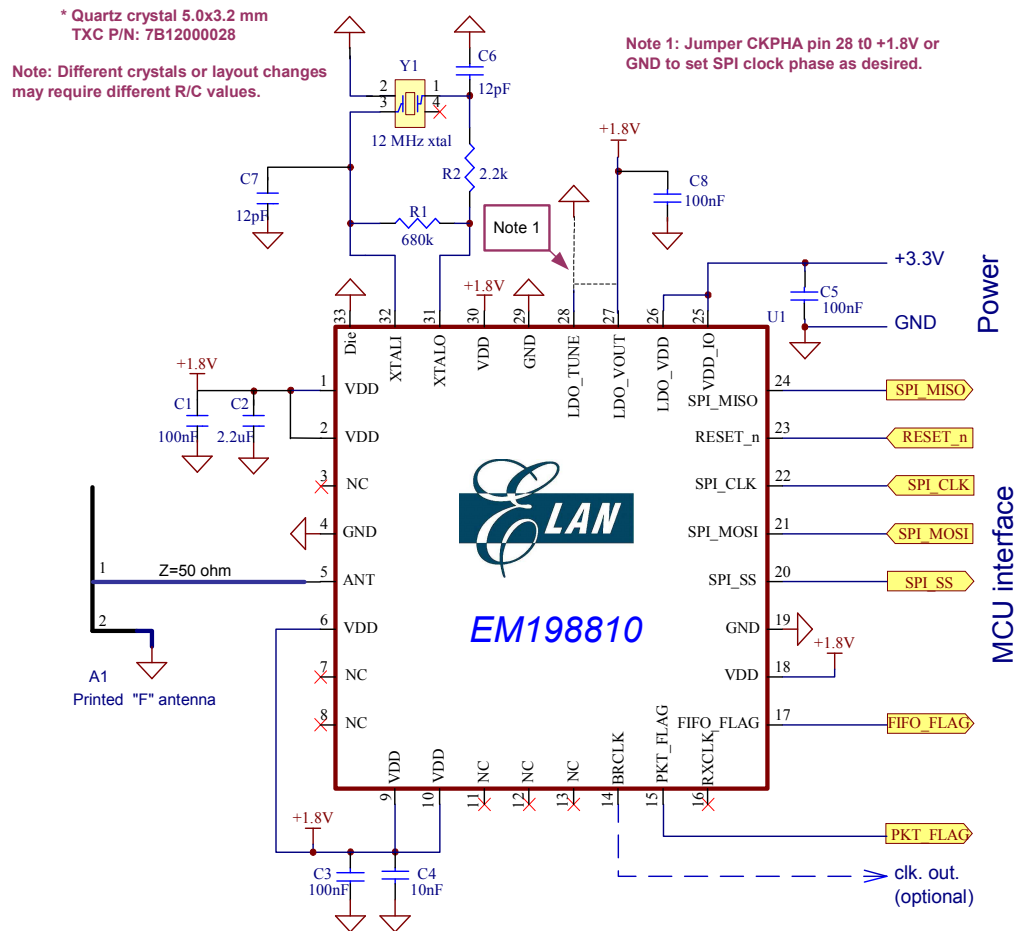
Typical PLL lock range	F _{LOCK}	2340		2560	MHz	
TX, RX Frequency Tolerance			--		ppm	Same as XTAL pins frequency tolerance
Channel (Step) Size			1		MHz	
SSB Phase Noise			-95		dBc/Hz	550KHz offset
			-115		dBc/Hz	2MHz offset

Crystal oscillator freq. range (Reference Frequency)			12		MHz	Designed for 12 MHz crystal reference freq.	
Crystal oscillator digital trim range, typ.		-12		+12	ppm		
RF PLL Settling Time	T_{HOP}		75	150	μ S		
Out-of-Band Spur. Emissions	OBS_1		<-75	-57	dBm	30 MHz ~ 1 GHz	IDLE state, Synthesizer and VCO ON.
	OBS_2		-68	-47	dBm	1 GHz ~ 12.75 GHz	
LDO Voltage Regulator Section							
Dropout Voltage	V_{do}			TBD	V	Measured during Receive state	
Quiescent current	I_q			6	μ A	No-load current consumed by LDO reg.	

- Table 6 -

6. Application Circuit

Typical Application



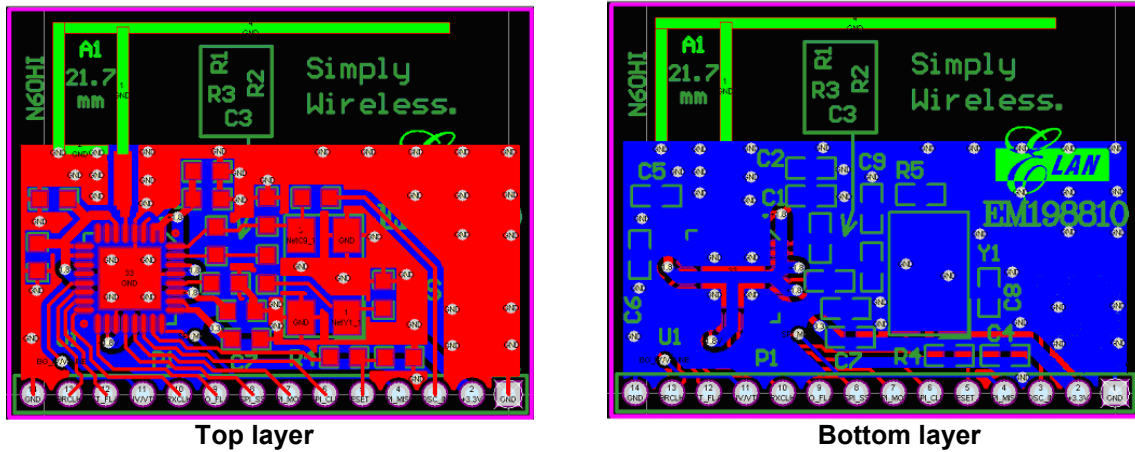
- Figure 6 -

BOM list

Comment	Description	Designator	Quantity	Footprint
10pF	Capacitor	C8	1	SMD-0603
12pF	Capacitor	C9	1	SMD-0603
10nF	Capacitor	C6	1	SMD-0603
100nF	Capacitor	C1 C3 C5 C7	4	SMD-0603
2.2uF	Capacitor	C2	1	SMD-0603
0 ohm	Resistor	R4	1	SMD-0603
2.2k	Resistor	R2	1	SMD-0603
680k	Resistor	R1	1	SMD-0603
12MHz	Crystal	Y1	1	OSC 5x3.2
EM198810	IC	U1	1	QFN 32 5x5
CON1x14	Connector	P1	1	HDR1x14

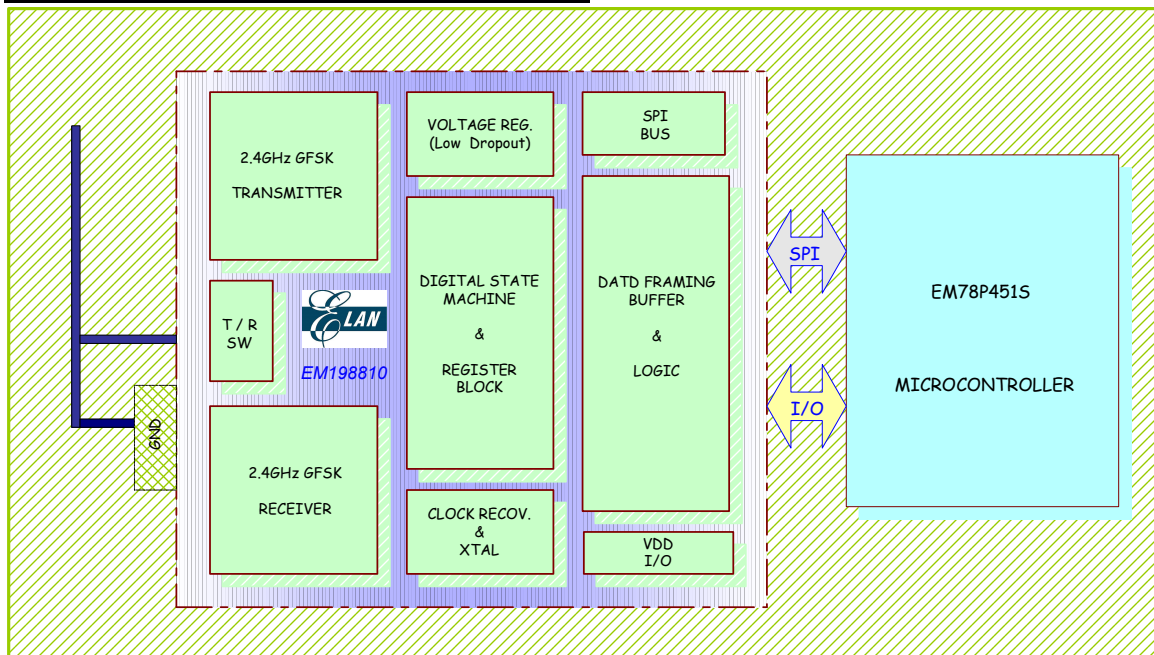
- Table 7 -

PCB layout



- Figure 7 -

Wireless Personal Area Network Solution



Elan Wireless personal area network Total Solution

- Fig. 8 -

7. SOLDERING

Reflow soldering requires paste to be applied to the printed-circuit board by screen printing, stencilling or pressure-syringe dispensing before package placement. Several methods exist for reflowing, throughput times vary between 100 and 300 seconds depending on heating method.

Recommendation: Follow IPC/JEDEC J-STD-020B

Condition: Average ramp-up rate (183°C to peak): 3°C/sec. max.

Preheat: 100 ~ 150°C 60 ~ 120 sec.

Temperature maintained above 183°C: 60 ~ 150sec.

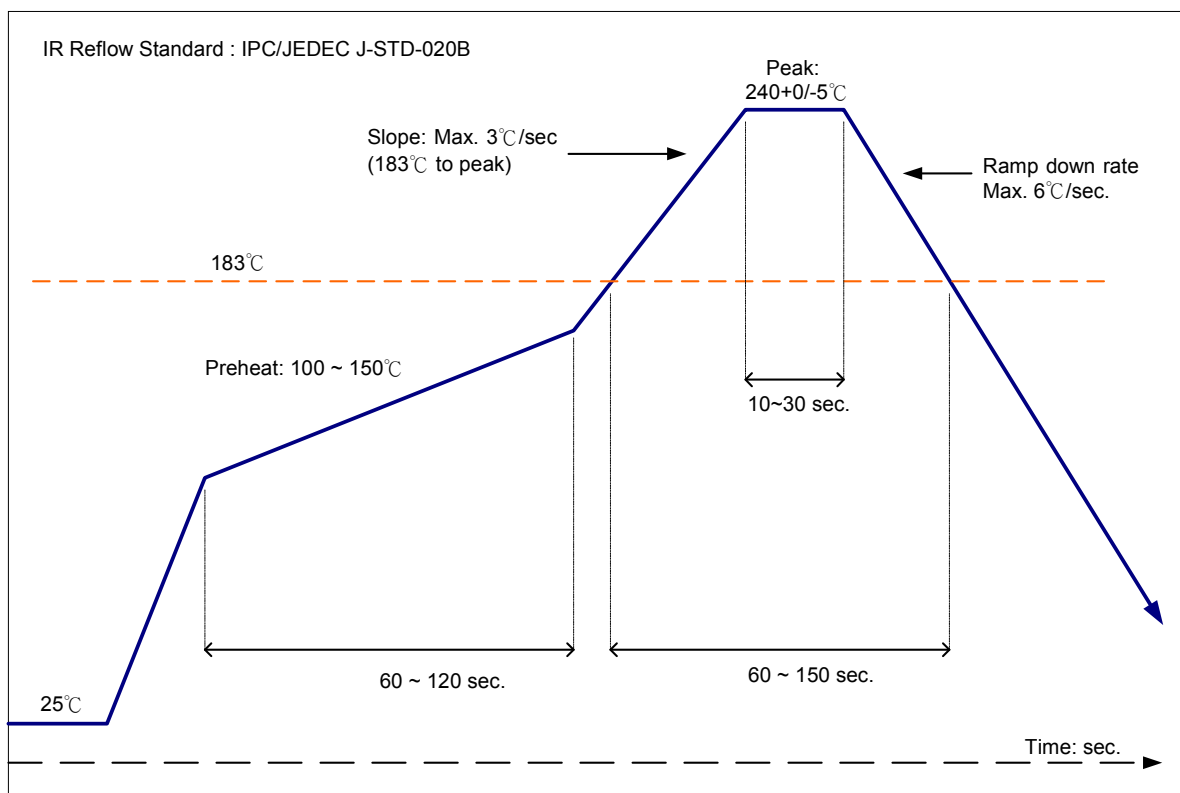
Time within 5°C of actual peak temperature: 10 ~ 30sec.

Peak temperature: 240+0/-5°C

Ramp-down rate: 6°C/sec. max.

Time 25°C to peak temperature: 6 minutes max.

Cycle interval: 5 minutes



- Fig. 9 -

DATA SHEET STATUS

Data Sheet Status	Product Status	Definitions
Objective specification	Development	This data sheet contains data from the objective specification for product development. Elan Microelectronics reserves the right to change the specification in any manner without notice.
Preliminary specification	Qualification	This data sheet contains data from the preliminary specification. Supplementary data will be published at a later date. Elan Microelectronics reserves the right to change the specification without notice in order to improve the design and supply the best possible product.
Product specification	Production	This data sheet contains data from the production specification. Elan Microelectronics reserves the right to make changes at any time in order to improve the design, manufacturing and supply.

DISCLAIMERS

Life support policy.—These products are not designed for use in life support appliances, devices, or systems where malfunction of these products can reasonably be expected to result in personal injury. Elan Microelectronics customers using or selling these products for use in such applications do so at their own risk and agree to fully indemnify Elan Microelectronics for any damages resulting from such application.

Right to make changes.—Elan Microelectronics reserves the right to make changes, without notice, in the products, including circuits, standard cells, and/or software, described or contained herein in order to improve design and/or performance. Elan Microelectronics assumes no responsibility or liability for these products, conveys no licence or title under any patent, copyright, or mask work right to these products, and makes no representations or warranties that these products are free from patent, copyright, or mask work right infringement, unless otherwise specified.

ELAN MICROELECTRONICS CORPORATION**Headquarters:**

No. 12, Innovation Road 1
Hsinchu Science Park
Hsinchu, TAIWAN 30077
Tel: +886 3 563-9977
Fax: +886 3 563-9966
<http://www.emc.com.tw>

Hong Kong:**Elan (HK) Microelectronics Corporation, Ltd.**

Flat A, 19F., World Tech Centre,
95 How Ming Street, Kwun Tong
Kowloon, HONG KONG
Tel: +852 2723-3376
Fax: +852 2723-7780
elanhk@emc.com.hk

USA:**Elan Information Technology Group (U.S.A.)**

1821 Saratoga Ave., Suite 250
Saratoga, CA 95070
USA
Tel: +1 408 366-8225
Fax: +1 408 366-8220

Shenzhen:**Elan Microelectronics Shenzhen, Ltd.**

SSMEC Bldg., 3F, Gaoxin S. Ave.
Shenzhen Hi-Tech Industrial Park
Shenzhen, Guandong, CHINA
Tel: +86 755 2601-0565
Fax: +86 755 2601-0500

Shanghai:**Elan Microelectronics Shanghai, Ltd.**

23/Bldg. #115 Lane 572, Bibo Road
Zhangjiang Hi-Tech Park
Shanghai, CHINA
Tel: +86 21 5080-3866
Fax: +86 21 5080-4600