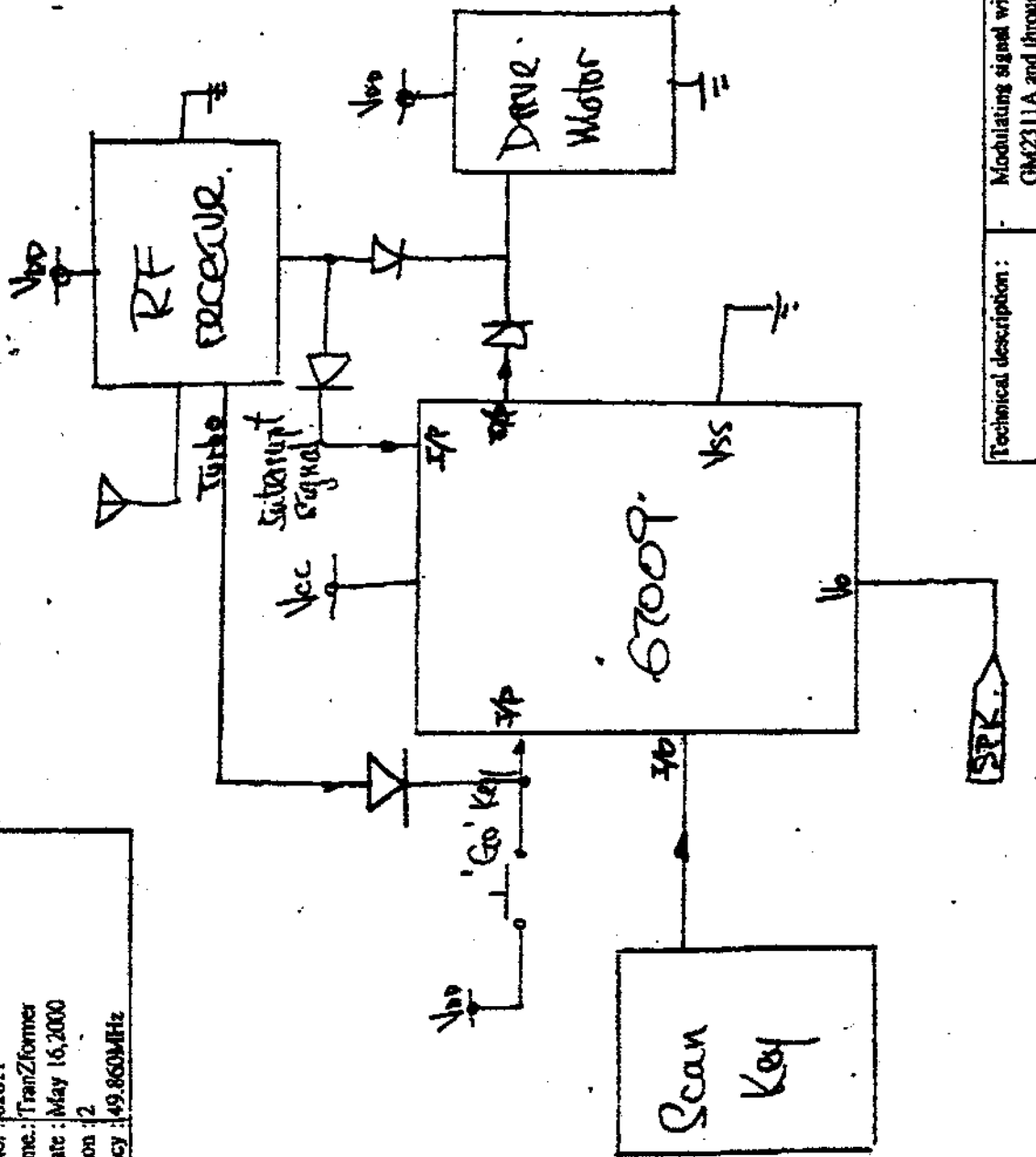


Project No.:	82011
Project Name:	TransFormer
Date:	May 16, 2000
Version:	2
Receive frequency:	49.860MHz



Technical description: - Modulating signal will be picked up and decoded by U1 - GM2311A, and through U2 - SN67009 to drive a motor.

18/16

Receiver Block diagram

SILVERLIT
 Silverlit Toys Manufactory Ltd.
 2/F, No. 173 Dessel Street, Crossway Bay, Hong Kong
 Tel: (852) 2831-1168 Fax: (852) 2834-8797