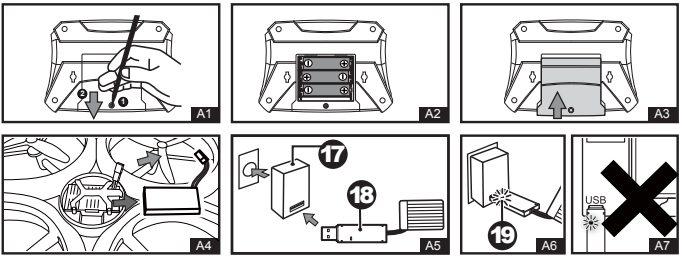


## CONTENTS

- Bumper Drone
- Transmitter
- Spare Propellers
- USB Charger
- Instruction Manual

## BATTERY INSTALLATION AND CHARGING



- A1. Press down the button (1) on the transmitter, and then follow the arrow (2) direction to pull out the battery cover.
- A2. Insert 3 AA batteries in the battery compartment with correct polarity.
- A3. Close the battery compartment.
- A4. Unplug the charging plug and remove the battery from Drone.
- A5. Connect the battery to a USB charger then to a USB AC Adapter.
- A6. Unplug the charging plug when the LED turns off, charging is completed.
- A7. Do not charge the battery through computer.

**Warning !**

Remove these batteries from the unit by pulling up on one end of each battery positive by hand.

DO NOT remove or install batteries using sharp or metal tools.

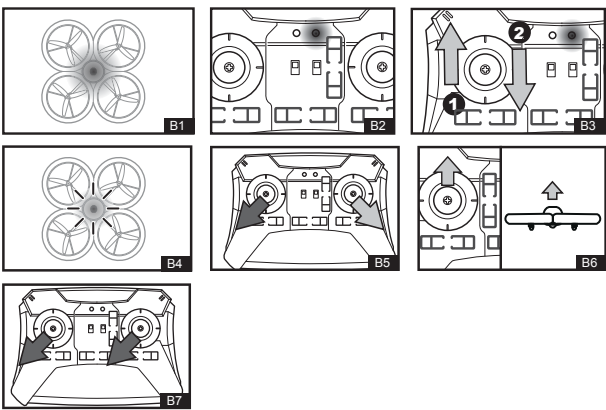
**Warning:**

When using a commercially-available USB AC adapter, make sure to use an adapter with a power output of 1A or more. Charging via other types of adapters may cause damage or malfunction.

**Note:**

- The Drone can operate for about 4 - 5 minutes per every 60-85 minutes charging.
- Before recharging the battery, wait 10 - 15 minutes for it to cool down.

## FLYING THE DRONE



**Tip! Piloting hints**

- For controlling the sticks on transmitter, try not to push the sticks immediately to any extreme positions. It should be like steering a bicycle rather than pressing computer game sticks.
- For the novice pilot (after the trimming procedure is completed), it is highly recommended to focus exclusively on learning to control the left stick first. If the Drone turns around by itself there is no need to keep it straight. For the first flight, it is important to learn to keep the Drone at a constant left of around 1 meter with very gentle inputs on the left stick. Once the pilot masters this, he may start learning to take control with the right stick.

- Procedure for PAIR / SYNC the Drone and Transmitter
  - 4 GHz technology allows for many Drone to fly without signal interference. A connection, PAIR / SYNC, must be made between the Drone and the transmitter to function. Follow these steps to PAIR/SYNC the Drone and the transmitter.
  - Insert the battery into battery compartment firmly and connect with the plug on Drone, the LED will gradually fade in and out. (B1 and B2)
  - Place the Drone on the ground with the tail pointing towards you and the nose pointing away.
  - Turn the Power Switch on Transmitter to "ON" position, the LED will gradually fade in and out.
  - When the LEDs become flash, push the left stick to top then pull down to bottom(B3), LED on Drone will flash regularly, the pair procedure is completed.(B4)
- Arming Motors (for manual take off)
 

Pull the left stick to lower left corner and right stick to lower right corner simultaneously (B5) and the motors will start spinning. Push the left stick up to ascend the Drone. (B6)

After descending the Drone, disarm the motors by pushing both sticks at the same time as picture shown. (B5)

**3. Self Calibration**

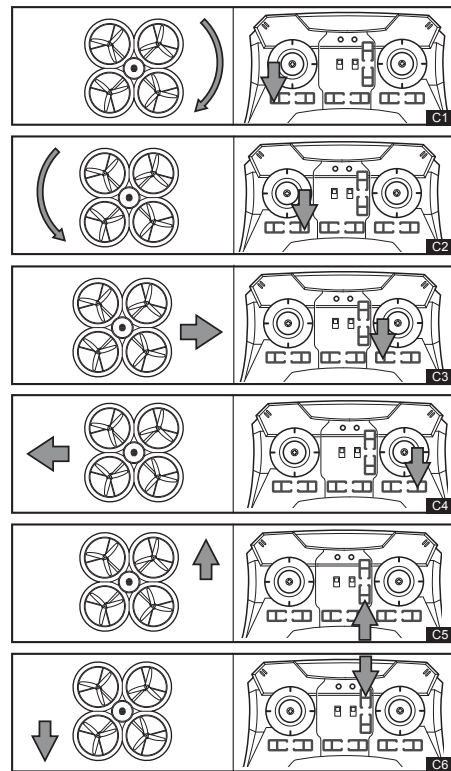
Place the Drone on a horizontal surface.

Pull the left and right stick to lower left corner (B7). After 8 seconds. You will hear a "beep" sound. The rotors will spin and calibration proceeds. When "long beep" sound present meaning that the calibration is completed. You can control the Drone now. (Only do the Self Calibration when unstable flying of Drone is happened.)

**4. Flight environment**

- Before your first flight, please study this Instruction Manual and understand all the features and controls. For those who do not have any flight experience, please prior to seek instruction from an experienced person.
- DO NOT fly in bad weather, such as rain, wind or fog.
- The environment should be open and void of buildings or other obstacles.
- Keep the drone away from obstacles, persons and animals, power lines, trees, lakes and rivers etc.
- Try to avoid interference between the transmitter and other wireless equipment.

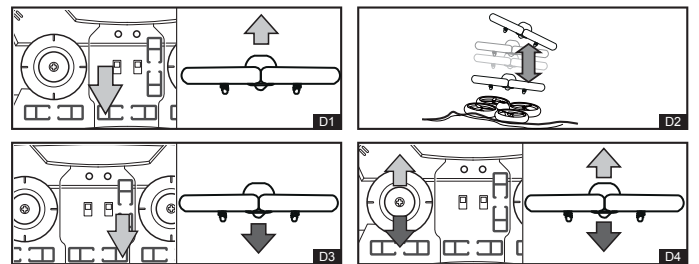
## TRIMMING THE DRONE



After arming, gently push the left stick up to raise the Drone about 0.5 to 1 meter above the ground.

- Keep turning right
  - When your Drone keeps turning right, press left side trimmer continually until it stops turning.
- Keep turning left
  - When your Drone keeps turning left, press right side trimmer continually until it stops turning.
- Keep going right
  - When your Drone keeps rolling sideways to right, press left side of roll button continually until it stops rolling.
- Keep going left
  - When your Drone keeps rolling sideways to left, press right side of roll button continually until it stops rolling.
- Keep going forward
  - When your Drone keeps going forward, press backward trimmer continually until it stops going forward.
- Keep going backward
  - When your Drone keeps going backward, press forward trimmer continually until it stops going backward.

## FLIGHT CONTROL (TAKE OFF AND LEFT CONTROL)



**Auto take-off and landing:**

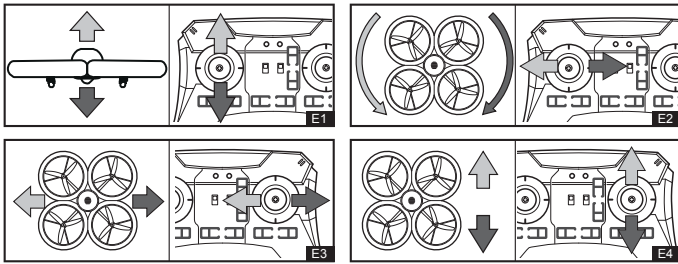
Press "Auto Take Off / Landing" button (D1), Drone flies up to a standard level and hover in the air. The Drone can take off or land on quiet water surface (D2). Caution: do not push or submerge the Drone underwater. Water resistant (IPX4 Rated)

Press again "Auto Take Off / Landing" button, Drone will land automatically. Press the "Stop" button for emergency stop. (D3)

**Manual take off :**

Push up the left stick to ascend the Drone, push down to descend (D4), release to lock the left.

## FLIGHT CONTROL



### E1. Ascend and descend

- When the Drone hovering in the air, slowly push the left stick up to ascend the Drone, or push it down a bit to descend the Drone. To maintain the current altitude, release it to return to center.

### E2. Turn left and right

- Maintain the Drone at a certain height. Push the left stick toward left to turn the Drone anticlockwise, and push it toward right to turn it clockwise.

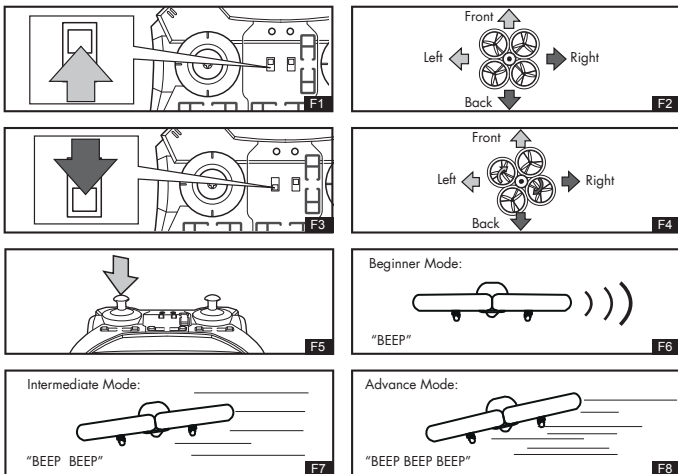
### E3. Flying sideways

- Maintain the Drone at a certain height. Push the right stick toward left to fly the Drone sideways to the left, and push it toward right to fly the Drone sideways to the right.

### E4. Forward and backward flight

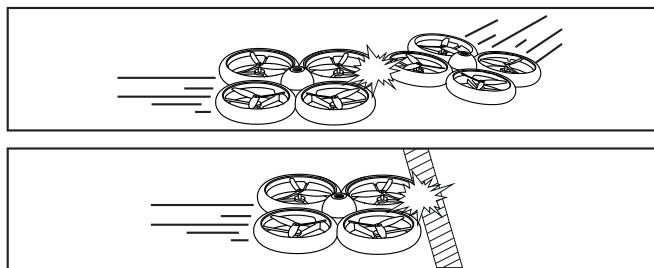
- Maintain the Drone at a certain height. Push the right stick upward to fly the Drone forward, and pull it downward to fly the Drone backward.

## FLY MODE SETTING



- Switch to Normal Mode (F1), the directions control will be the same as the Drone's designed directions (F2).
- Switch to Headless Mode (F3), the directions of Drone will set and keep the same right after entering Headless mode. From now even control rotation of the Drone, the directions control will be the same as the condition right after entering Headless mode. (F4)
- Vertical press left stick gently (F5) to change between Beginner Mode (beep once) (F6) / Intermediate Mode (beep 2 times) (F7) / Advanced (beep 3 times) (F8)

## PROTECTIVE BUMPERS



The bumpers are highly protective to keep propellers away from obstacles, to prevent crash and fall.

## FCC STATEMENTS

This device complies with part 15 of the FCC rules. Operation is subject to the following two conditions:

- This device may not cause harmful interference, and
- This device must accept any interference received, including interference that may cause undesired operation.

NOTE: This equipment has been tested and found to comply with the limits for a Class B digital device, pursuant to Part 15 of the FCC Rules.

These limits are designed to provide reasonable protection against harmful interference in a residential installation. This equipment generates, uses and can radiate radio frequency energy and, if not installed and used in accordance with the instructions, may cause harmful interference to radio communications. However, there is no guarantee that interference will not occur in a particular installation. If this equipment does cause harmful interference to radio or television reception, which can be determined by turning the equipment off and on, the user is encouraged to try to correct the interference by one or more of the following measures:

- Reorient or relocate the receiving antenna.
- Increase the separation between the equipment and receiver.
- Connect the equipment into an outlet on a circuit different from that to which the receiver is connected.
- Consult the dealer or an experienced radio/TV technician for help.

## BATTERY WARNING

- Do not mix old and new batteries.
- Do not mix alkaline, standard (carbon-zinc), or rechargeable batteries.
- Alkaline batteries are recommended. Use only the specified voltage.
- Insert batteries using the correct polarity. Always use, replace, and recharge (if applicable) batteries under adult supervision.
- Do not charge with non-rechargeable batteries.
- Do not short-circuit the battery supply terminals.
- Do not dispose of batteries in fire, batteries may explode or leak.
- Remove batteries (if removable) before storing.
- Recycle or dispose of batteries according to federal, state, and local laws.

## RECHARGEABLE BATTERY WARNING

There is a risk of fire and personal injury if battery is punctured, damaged, or misused.

- Do not dismantle, crush, incinerate or short-circuit battery.
- Never expose battery to extreme temperatures or moisture.
- Keep away from flammable materials and direct sunlight.
- Only charge using the provided charger, cable, and/or adapters.
- Rechargeable battery is only to be charged by an adult.
- Adult Supervision of the battery while it is charging is required.
- Allow battery to cool to room temperature before charging.
- Charge on a non-flammable surface and keep away from flammable products.
- Discontinue charging if battery becomes hot, swells, smokes, or gives off a strong odor.
- Battery chargers used with the product are to be regularly examined for damage to the cord, plug, enclosure, and other parts, and in the event of such damage, they must not be used until the damage has been repaired.
- Remove batteries (if removable) before storing.
- Recycle or dispose of battery according to federal, state, and local laws.
- Cells or batteries should not be disassembled, crushed, punctured, opened, or otherwise mutilated.
- Seek medical advice immediately if a cell or battery has been swallowed.
- In the event that the electrolyte comes into contact with the skin or eyes, immediately flush with fresh water for at least 15 minutes and seek medical advice.
- Store cells and batteries in their original packaging and away from metal objects which may short-circuit them.
- Do not drop or subject the cell or battery to strong mechanical shock.
- Keep cells or batteries clean and dry both during use and storage. Wipe metal terminals with a soft, dry cloth if they become dirty.
- Charge cells or batteries before use.
- On first use, or after prolonged periods of storage, it may be necessary to charge and discharge the cell or battery two or three times before obtaining maximum performance.
- It is best to charge the cell or battery at temperatures between 15°C and 30°C unless otherwise specified by the manufacturer.
- Retain original product literature for future reference.
- This product contains rechargeable battery that is non-replaceable.

**Warning:** Changes or modifications to this unit not expressly approved by the party responsible for compliance could void the user's authority to operate the equipment.

KEEP THIS INSTRUCTION MANUAL AS IT CONTAINS IMPORTANT INFORMATION FOR FUTURE REFERENCE.

Due to continuous product improvements, the picture on the manual may differ slightly from the actual product.