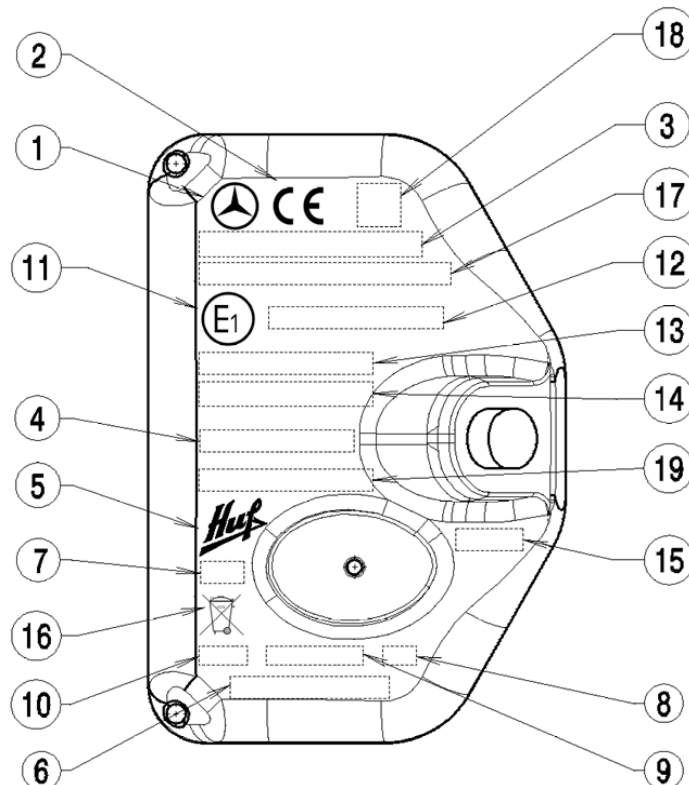


Label and Location – TSSRE4Ne

No.	Designation	Content
1	OEM logo	OEM logo
2	approval for Europe	CE symbol
3	customer part number	XXXXXXXXXXXXXXXXXXXXXXXXXX
4	model designation	Model: TSSRE4Ne
5	manufacturer	Huf symbol
6	serial number (max.10 digit)	nnnnnnnnnn
7	torque force	4Nm
8	number of final test station (2 ch.)	-nn
9	date of manufacture	DD.MM.YY
10	frequency	433 MHz
11	approval ECE-R10 logo	E1 symbol
12	approval ECE-R10 number	10 R-036773
13	approval for USA	FCC ID: OYGTSSRE4NE
14	approval for Canada	IC: 3702A-TSSRE4NE
15	country of origin	Germany
16	battery disposal	waste bin symbol
17	other homologations	Other homologations see owner manual
18	DATA-MATRIX-CODE	optional
19	approval for Brazil	ANATEL: xxxx-xx-xxxx





Label and Location – TSSRE4Ne

Marking: laser marking after positive EOL test

