

Taide

Bluetooth Headset H-023

Thank you for using our company's Bluetooth Headsets. Please read this user manual carefully in order to operate this product correctly.

I. NOTICE

Please store and use this product at a normal temperature

DO NOT expose this product to rain or damp areas

DO NOT throw or drop this product

DO NOT disassemble, repair, or modify this product

This product has a lithium battery, to avoid danger DO NOT place it near or in a fire

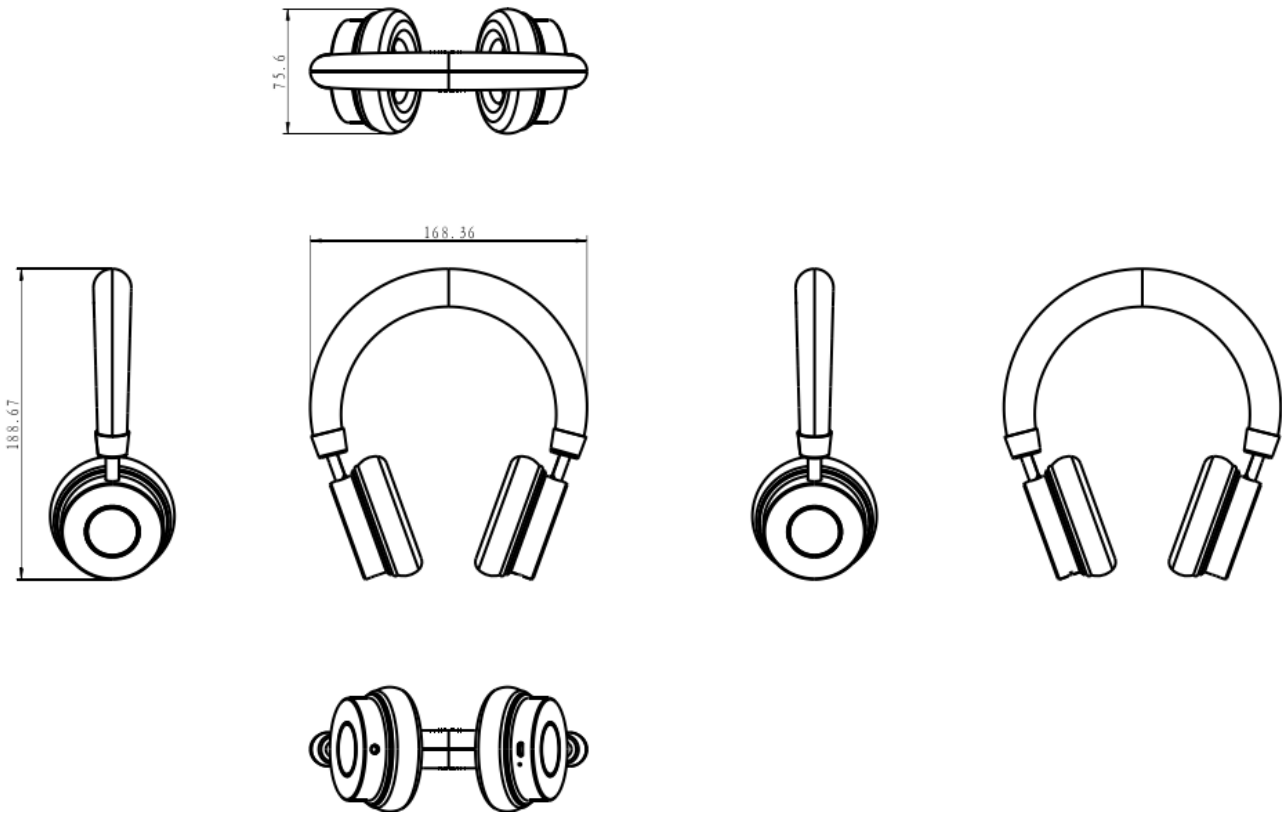
II. KIND REMINDER

1. To prolong the headphones life span and to avoid hearing damage, please do not listen to music under high volume for long periods of time.

2. When an error occurs with the headphones, please turn off the product and restart to troubleshoot.

3. When the headphone power is low, the Bluetooth range may be affected. Please charge the headphones to avoid disruptions during use.

III. OVERVIEW



Multi-Function Dial:

— :Volume Down / Previous Song

+ :Next Song /Volume Up

📞/▶⏸: Play & Pause / Call pick-up & hang-up

⏻: Press and hold for 2.5 seconds to turn the headphone ON or OFF

IV. SPECIFICATION

Model: H-023

Bluetooth specification: V4.0

Transmission distance : \cong 10M (It varied when the environmental factors and the connected Bluetooth devices are different)

Audio Input: Bluetooth、 AUX

USB charging voltage: DC 5V

Working voltage: 3.7V

Built-in battery: Lithium battery,300mAh

Frequency response: 20Hz-20KHz

Sensitivity: 105db (AT 1KHZ+3db)

Dimensions: 188.67x168.36x75.6mm

V. PACKING LIST

1. Headset * 1
2. USB cable * 1
3. User manual * 1

BLUETOOTH OPERATION

1. Press and hold power button to turn on the headphones. The blue indicator light will flash to detect Bluetooth enabled devices near you. The blue indicator light will go out if no Bluetooth device is detected within 5 minutes.
2. Pair the headphone with the desired Bluetooth device.
3. Play/Pause as desired by pressing Multi-Function Dial.
4. To answer an incoming phone call while using the headphones, press the Multi-Function Dial button once. To end the phone call, re-press the Multi-Function Dial button. Press the Multi-Function Dial twice to dial the last number dialed.

AUX PLAYBACK OPERATION

1. Turn on the headset
2. Insert a 3.5mm audio cable into the AUX jack on the back of the headset. Connect the 3.5mm cable to any audio device with a port.
3. Press the Multi-Function Dial button to play or pause music.

CHARGING THE SPEAKER

1. The headset has a built-in Lithium battery. The battery is rechargeable and provides approximately 4 hours of continuous use at 80% volume when fully charged.
2. Use the micro-USB cable to charge the headset. The red indicator light will illuminate when the battery is low. The red indicator light will go out when the headset is fully charged.

VII. COMPATIBILITY

Devices equipped with Bluetooth 3.0 or higher (for details please refer to the user manual of that device). Bluetooth 3.0 including agreements as: A2DP, AVRCP, HFP.

VIII. TROUBLESHOOTING

PROBLEM	TROUBLESHOOTING
Failure to connect or pair the headphones to an audio device	<ol style="list-style-type: none"> 1. Confirm the device you wish to pair with the headphone has Bluetooth capabilities 2. Check battery life, headphones may need to be charged 3. Inspect whether the headphone is in the status of searching for Bluetooth device. 4. There may be too many Bluetooth enabled devices in the area, please turn off Bluetooth function on devices you do not want to pair with the headphones.
The sound is too low or distorted	<ol style="list-style-type: none"> 1. Inspect the volume of the Bluetooth equipment and adjust the volume. 2. The battery life is low, please charge the headphones.
Discontinuous music	<ol style="list-style-type: none"> 1. Move the paired Bluetooth device closer to the headphones. 2. Make sure there are no obstacles between the Bluetooth device and the headphones.
The indicator light for Bluetooth mode is not on	<ol style="list-style-type: none"> 1. The battery life is too low. Please charge the headphones and try again. 2. Restart the headphones by powering off and turning back on.

Hints: Another trouble, please consult the dealer or an experienced IT technician for help.

Warning

Any Changes or modifications not expressly approved by the party responsible for compliance could void the user's authority to operate the equipment.

This device complies with part 15 of the FCC Rules. Operation is subject to the following two conditions:

- (1) This device may not cause harmful interference,
- and (2) this device must accept any interference received, including interference that may cause undesired operation.

Note: This equipment has been tested and found to comply with the limits for a Class B digital device, pursuant to part 15 of the FCC Rules. These limits are designed to provide reasonable protection against harmful interference in a residential installation. This equipment generates, uses and can radiate radio frequency energy and, if not installed and

used in accordance with the instructions, may cause harmful interference to radio communications. However, there is no guarantee that interference will not occur in a particular installation. If this equipment does cause harmful interference to radio or television reception, which can be determined by turning the equipment off and on, the user is encouraged to try to correct the interference by one or more of the following measures:

—Reorient or relocate the receiving antenna.

—Increase the separation between the equipment and receiver.

—Connect the equipment into an outlet on a circuit different from that to which the receiver is connected.

—Consult the dealer or an experienced radio/TV technician for help.

FCC Radiation Exposure Statement:

This equipment complies with FCC radiation exposure limits set forth for an uncontrolled environment .

This transmitter must not be co-located or operating in conjunction with any other antenna or transmitter.