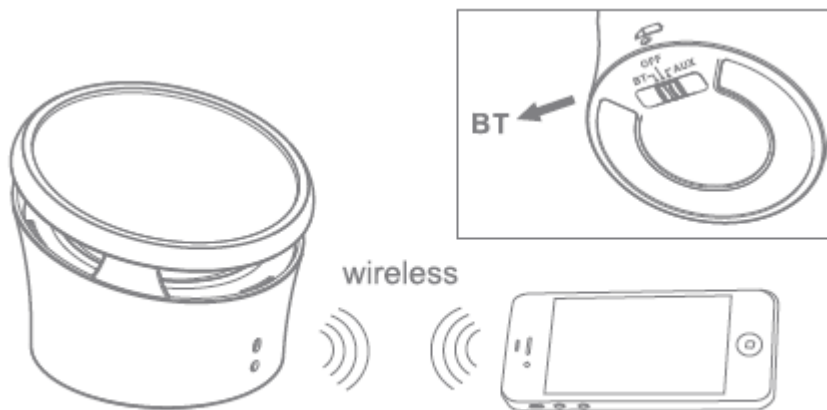


## PAIRING THE SPEAKER

1. Turn the slide switch to “BT” to switch on the speaker, the power will turn ON within 3 seconds and the LED will be blue on the front. For the first time use, the blue LED will flash (8 times every second) to show it is ready for pairing.

your smart phone. You will hear a beep and the speaker blue LED will stop flashing. Pairing connection is now complete.



2. When you need to disconnect the speaker, switch off the Bluetooth function on your smart phone, the speaker's blue LED will flash slowly. Slide the switch to “OFF”, the pairing will be stored. The next time you turn “ON” the speaker, it will automatically connect to your smart phone and the blue LED will remain lit.
3. If you need to pair the speaker with a new smart phone, switch off the Bluetooth function on your old smart phone first. Then power on your new smart phone's Bluetooth function and repeat the previous pairing steps.

## **SPEAKER PHONE FUNCTION**

You can use the speaker as a speaker-phone for incoming calls when it is connected to your smart phone (blue LED lit). When a call comes in it will automatically be heard through the speaker. You can switch to your smart phone by changing the “audio source” on your smart phone. Calls are ended by using the buttons on your smart phone. You can not make outgoing calls or hang up from the speaker without turning off your speaker, for these functions use your smart phone.

## **PRODUCT FEATURES**

- Bluetooth® v2.1 wireless connection up to 10M, 32 FEET
- Built-in 3W amplified speaker
- Bass enhancer built-in
- Built-in rechargeable battery via USB cable
- Speaker phone function
- AUX 3.5mm audio input
- Ideal for smart phones or other multimedia player devices

This superb sounding stereo speaker is compliant with Bluetooth v2.1 wireless standards and powered by a built-in rechargeable battery. An ideal wireless audio companion for smart phones.



## HOW TO USE / CONTROLS

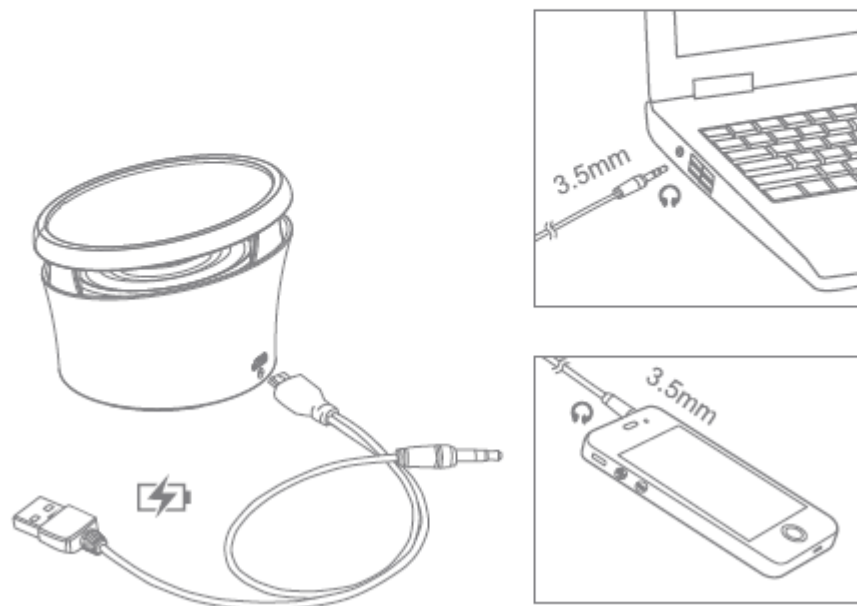
You can adjust the volume to the desired level, select play songs, etc. by operating your smart phone. When the battery power becomes low, there will be a beeping alert sound during playback. Charge the speaker per previous instructions. (You can play music while charging the battery).

### 3.5mm AUDIO INPUT

You can use the AUX 3.5mm audio cable to play music without Bluetooth. Switch the slide button to "AUX" and connect the 3.5mm cable to the music source.

### CHARGING THE SPEAKER

As shown, connect the micro USB port to the charging cable and the USB plug to the USB port with power. The red LED on the bottom of speaker will light up to indicate charging. When the speaker is fully charged (approximately 1.5 hours), the LED will turn blue.



**SPECIFICATIONS :**

Dimensions :	W3.13 x D3.13 x H2.38 inches
Bluetooth wireless connection :	v2.1+EDR; class II; typ. 8M visible distance; max.10M, 32ft
Support multiple pairing :	up to 4 devices**
Driver :	dia. 40mm
Frequency Response (0dB at 1KHz) :	100Hz ~ 20,000Hz
Amplifier Output :	2.5W (THD=10%, 1KHz@0dB)
Amplifier max. output :	3W (1KHz@0dB)
Signal to noise ratio :	>60dB
Operation Voltage :	min. 3V; max. 4.2V DC
Battery :	Built-in 3.7V Li-polymer rechargeable battery
Battery charging voltage :	typ. 5V; max. 5.5V DC (via. micro USB port)
Battery charging current :	500mA max.
Battery charging time :	1.5 hours
Drain current (power on, no input)	20mA
Playback time :	~10 hours (fully charged, volume at 1/3 level)
Standby time :	up to 18 hours

**Changes or modifications not expressly approved by the party responsible for compliance could void the user's authority to operate the equipment.**

**This device complies with Part 15 of the FCC Rules.**

**Operation is subject to the following two conditions:**

- (1) this device may not cause harmful interference, and**
- (2) this device must accept any interference received, including interference that may cause undesired operation.**