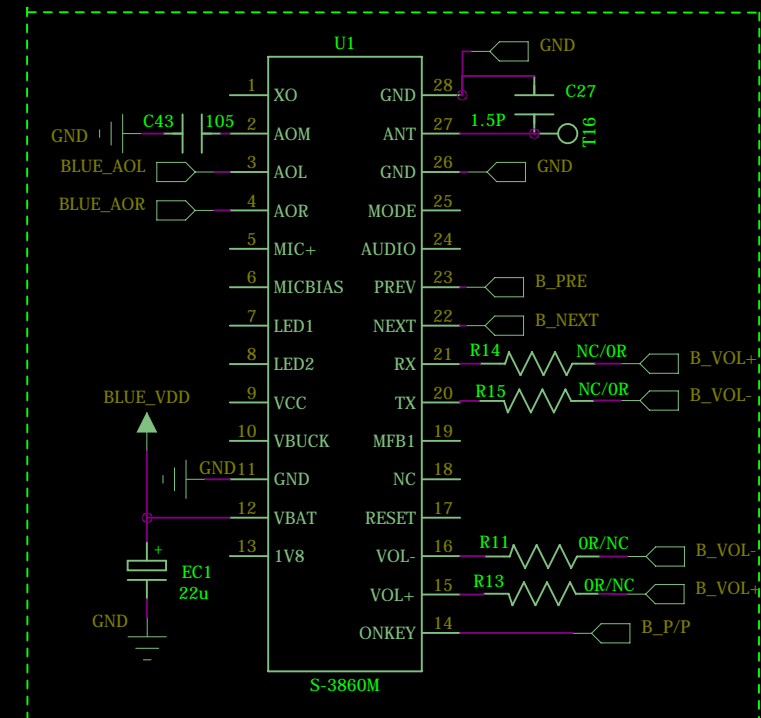
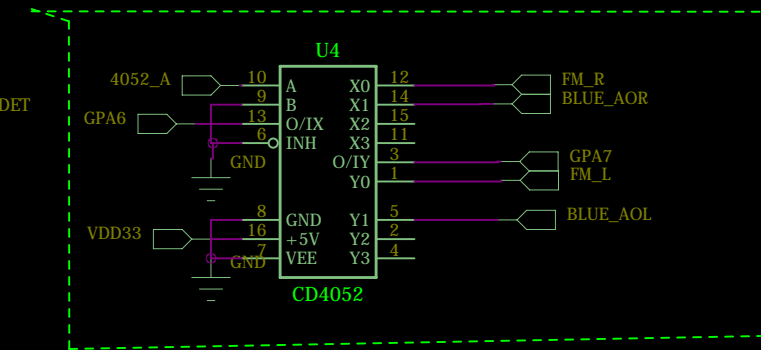
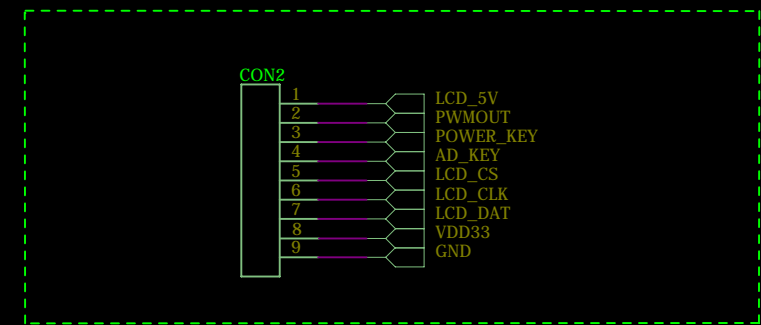
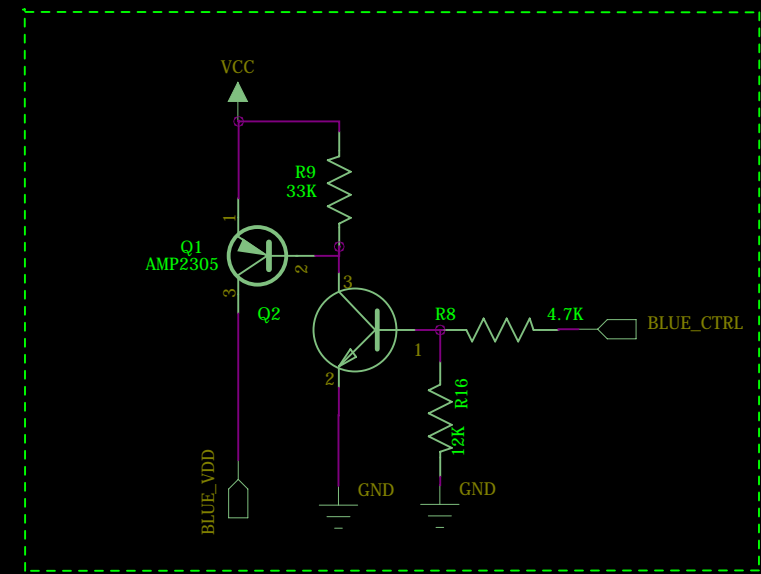
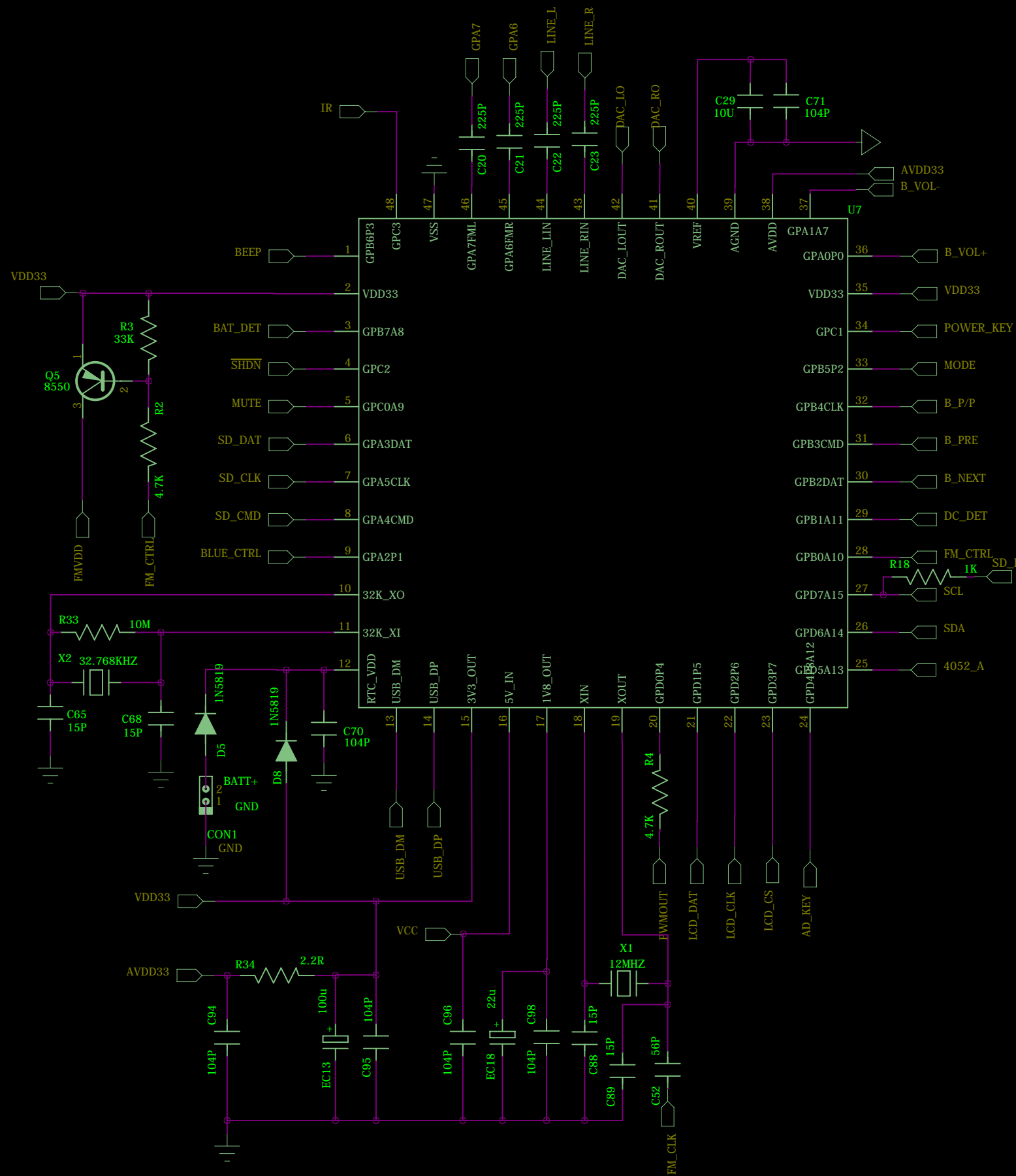
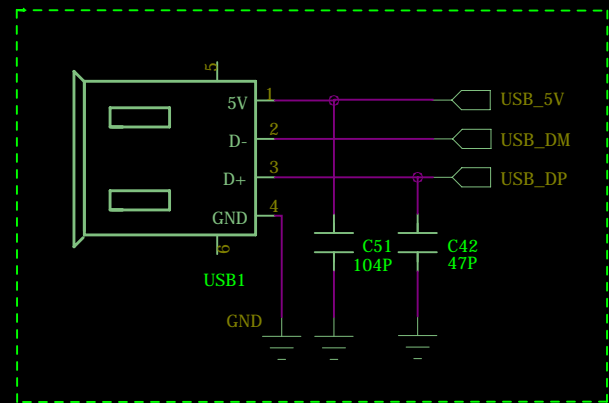
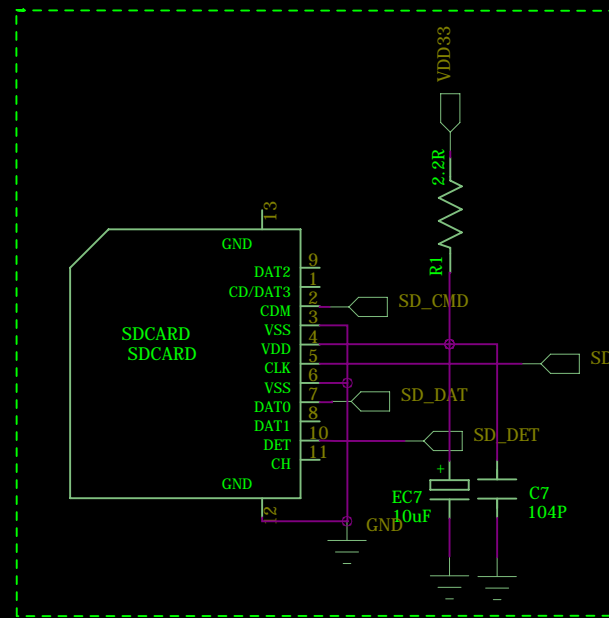
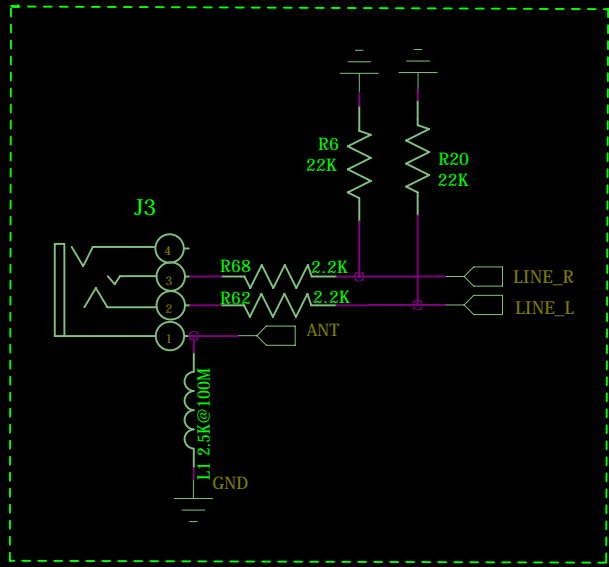
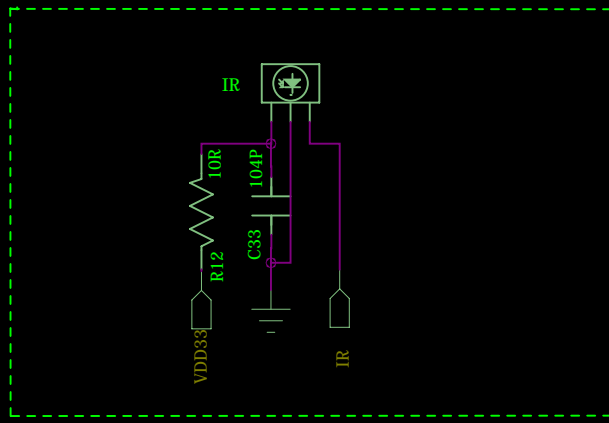
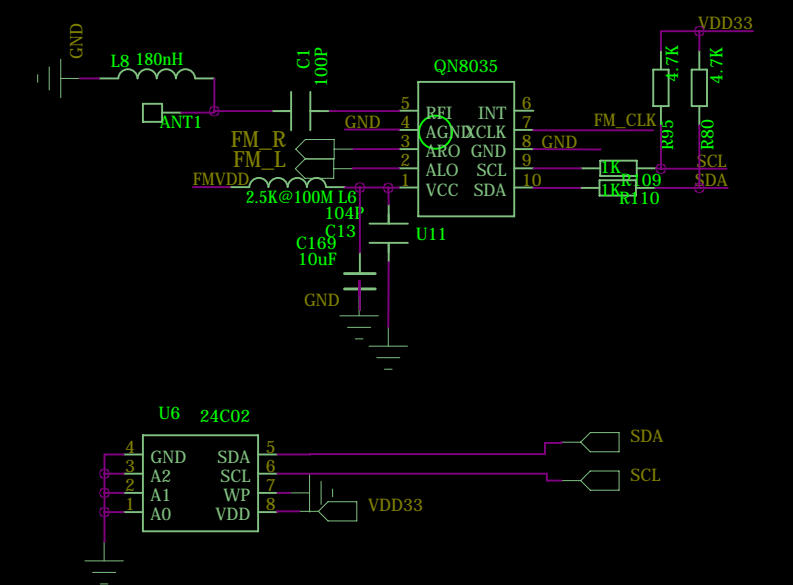
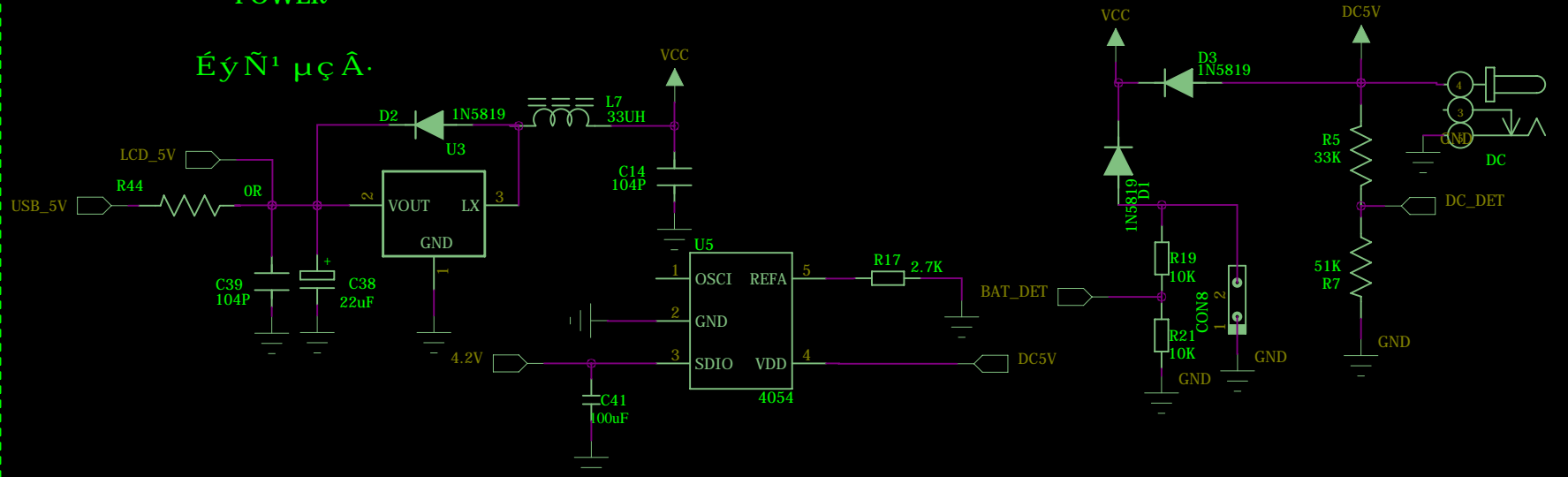


Title		
Bluetooth stereo module schematic		
Size	Number	Revision
A3		
Date:	2012-6-2	Sheet of
File:	G:\bluetooth\bluetooth module sch	Drawn By:



### POWER

Έγνή μçĀ.



ÒôÖÊ´ | Àí μçĀ.

