

**FCC ID: OXZWPV2006**

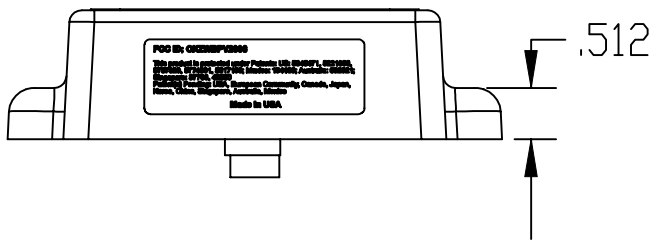
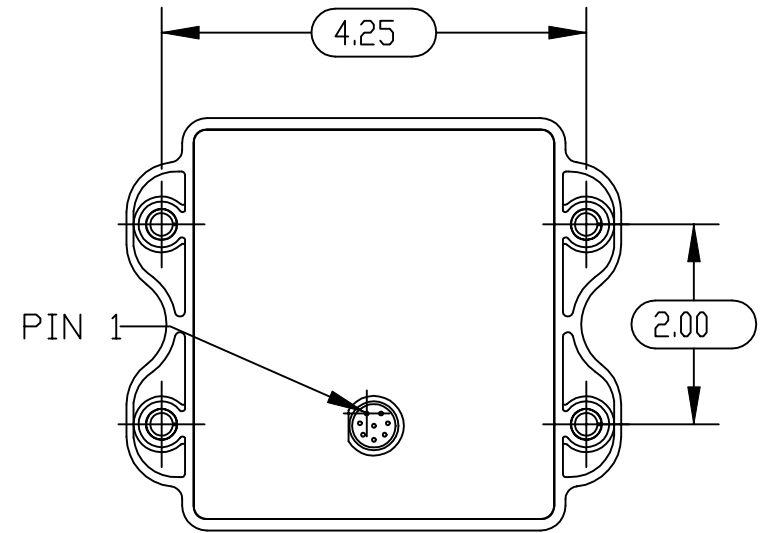
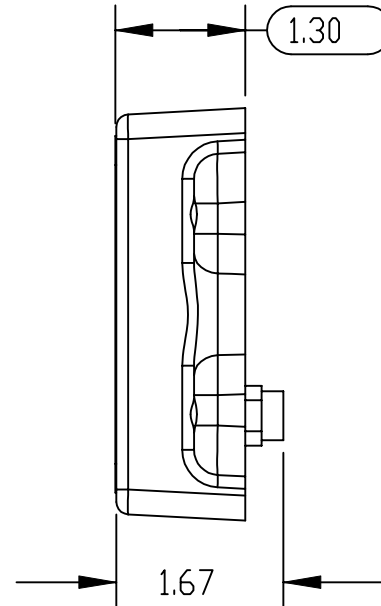
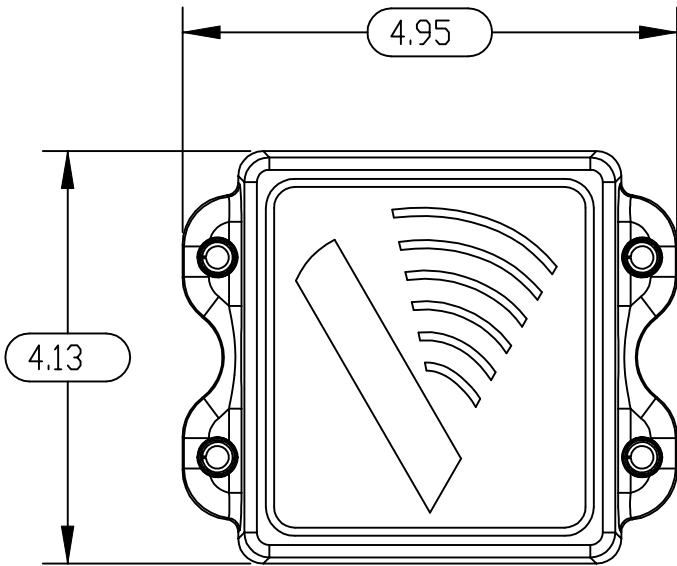
This product is protected under Patents: US: 5345471, 5221600, 5757320, 5774091, 5517198; Mexico: 194188; Australia: 692921; Singapore: 37738, 42550  
Patent(s) Pending: USA, European Community, Canada, Japan, Korea, China, Singapore, Australia, Mexico

**Made in USA**

Size .75" x 2.2"

NOTES:  
 1. TORQUE MOUNTING BOLTS TO 22IN/LB MAXIMUM

REVISIONS					
REV	DESCRIPTION	PCD#	DATE	DRN	CHK
E1	BASELINE RELEASE	8006	08/07/06	DB	JF
-	-	-	-	-	-
-	-	-	-	-	-



PRECO PROPRIETARY	ENGLISH	TOLERANCES	PRECO ELECTRONICS A DIVISION OF PRECO, INCORPORATED		
	DO NOT SCALE DRAWING	-UNLESS OTHERWISE NOTED-	415 N. MAPLE GROVE BOISE, IDAHO 83704 (208) 323-1000		
TECHNICAL DATA FURNISHED HEREIN SHALL NOT BE EITHER RELEASED, USED, DUPLICATED, OR DISCLOSED IN WHOLE OR IN PART FOR MANUFACTURE OR PROCUREMENT WITHOUT THE WRITTEN PERMISSION OF PRECO ELECTRONICS	DIMENSIONING PER ANSI Y14.5M-1982	THIRD ANGLE PROJECTION	INTERFACE CONTROL DRAWING SENSOR, WIDEBAND PREVIEW		
			SIZE: A	DRWN: DBOLAND	CHKD: --
	X.X = ± 0.1 X.XX = ± 0.02 X.XXX = ± 0.005 X.XXXX = ± 0.0025 ∠ = ± 0.5		PROJ 8006	DATE: 08/07/06	
			FILE: SENSOR_W.B.DRW	P/N: SENSOR_WB	REV: E1
			SCALE: 0.500	SHEET: 1 OF 1	