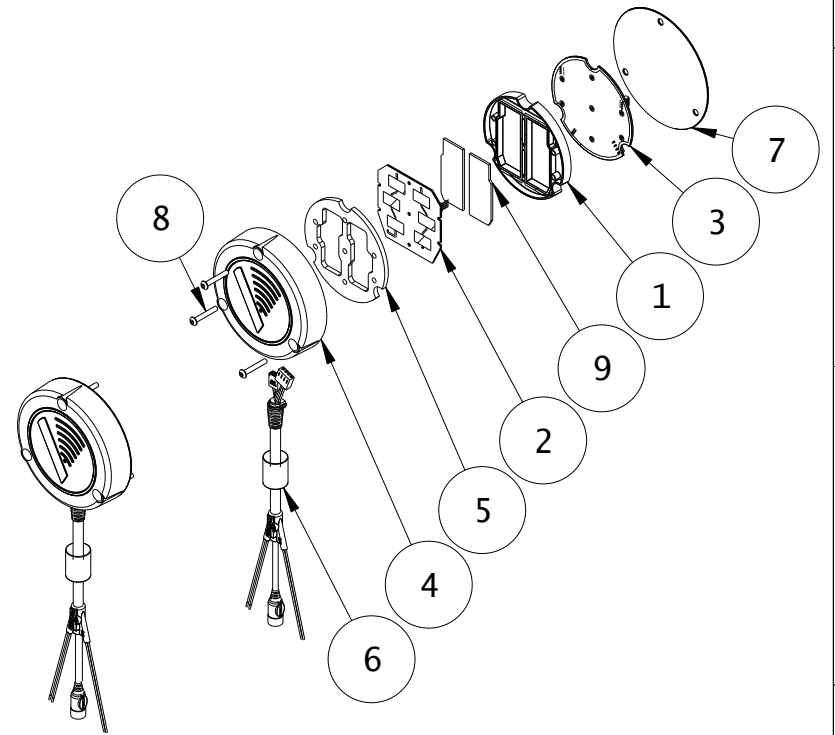
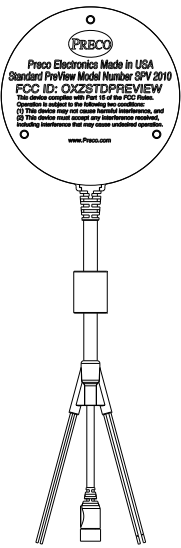
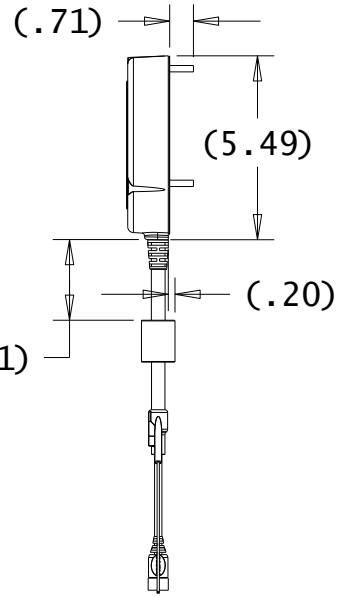
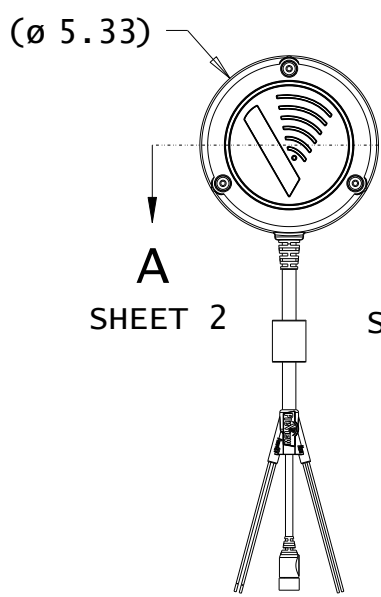


Exhibit B: FCC ID Label and Location

FCC ID: OXZSTDPREVIEW

REVISIONS					
REV	DESCRIPTION	PCOF	DATE	DRN	CHK
E1	BASLINE RELEASE. MODIFIED HOUSING O.D.	11-15-01	11-1-01	EE	-
E2	ADDED .2" PORON FOAM SPACER AND SCREWS.	-	11-20-01	EE	JF
E3	CHANGED HOUSING FILE AND ADDED SR POTTING DAM.	-	5-31-02	EE	-
E4	CHANGED SR DOG HOUSE CUT OUT.	-	7-16-02	EE	-
EX	CHANGED TO NEW 3.5" SQ. RFA AND NEW CHASSIS W / ECCO	0808	02	EE	-
E5	ASSIGNED P/N, ASSY VIEW CLEAN UP, CHANGED SCREW LENGTH	H9-03	EE	-	-



9	2	820XX_ECCO	RF SHIELD, STD PREVIEW, ECCO SRB PROTO (CUT FROM HD PREVIEW PART)
8	3	7590441	SCREW, BUTTON HEAD #10 - 24 X 1.25
7	1	6741631	PLATE, STD PREVIEW BACK, PLATE PLAQUE / RFI SHIELD
6	1	4433565	CABLE, COMPOSITE STD PREVIEW LONG, ALARM OUT OPTION
5	1	4150561	GASKET, PORON, STD PREVIEW ANTENNA PCB TO RADAR DOME SELF STICK MOUNT
4	1	3310891	COVER, RADAR DOME STD PREVIEW 1.4" DIA. DISCRIMINATING ALARM HOUSING
3	1	2900374	PCA, PROCESSOR, PREVIEW STANDARD
2	1	2900354	PCA, ANTENNA, PREVIEW STANDARD
1	1	2700014	CHASSIS, TX / RX / ANTENNA / PROCESSOR PREVIEW PROTOTYPE
ITEM	QTY	PART NUMBER	DESCRIPTION

PRECO PROPRIETARY

TECHNICAL DATA FURNISHED HEREIN SHALL NOT BE EITHER RELEASED, USED, DUPLICATED, OR DISCLOSED IN WHOLE OR IN PART FOR MANUFACTURE OR PROCUREMENT WITHOUT THE WRITTEN PERMISSION OF PRECO ELECTRONICS

ENGLISH
DO NOT SCALE DRAWING

TOLERANCES
DIMENSIONING PER ANSI Y14.5-2002
X.X = ±0.1
X.XX = ±0.02
X.XXX = ±0.005
X.XXXX = ±0.0025
∠ = ±0.5

THIRD ANGLE PROJECTION

PRECO ELECTRONICS
A DIVISION OF
PRECO, INCORPORATED
415 N. MAPLE GROVE
BOISE, IDAHO 83704
(208) 323-1000

ASSY, PREVIEW STANDARD
REAR VERSION (SENSOR)

FILE: 6958064.DRW
SCALE 1/4
SHEET 1 OF 3

P/N: 6958064
REV: E5

DATE 11-1-01