

July 27, 2020

Federal Communications Commission
Authorization and Evaluation Division
7435 Oakland Mills Road
Columbia, Maryland 21046

PRECOlink wireless CAN module PWL8003 Coordinator unit and PWL8004 End Device unit
Antenna Information.

FCC ID: OXZPCLK2020

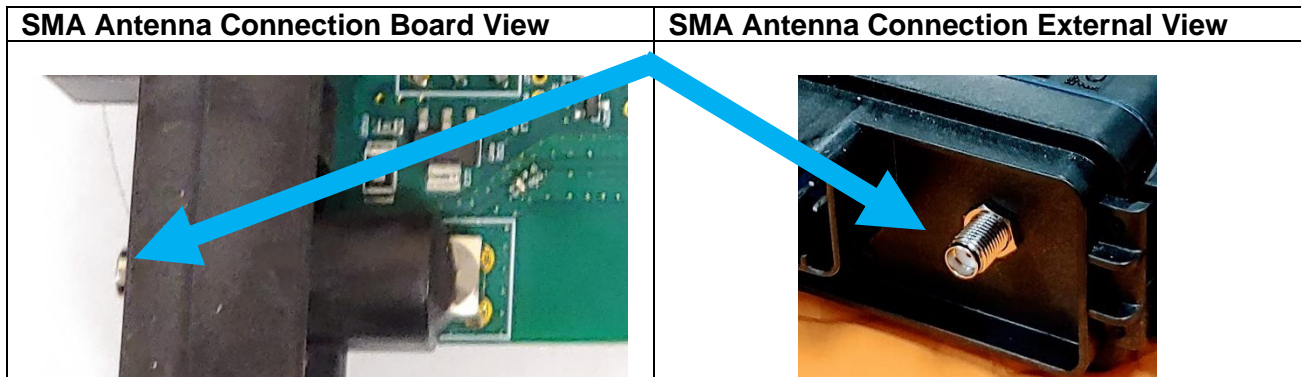
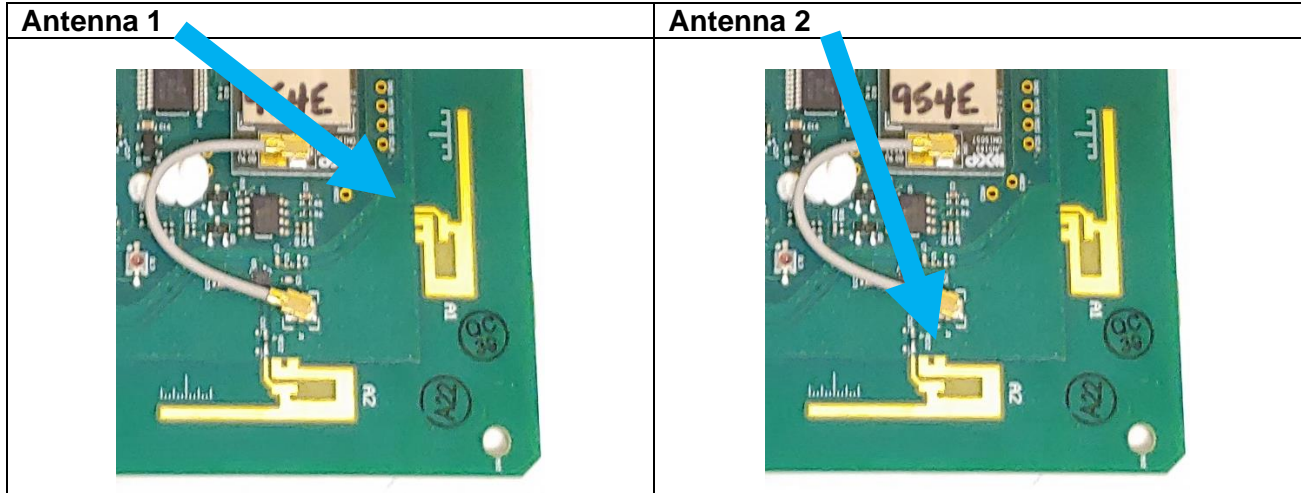
Preco Electronics PRECOlink PWL8003 and PWL8004 complies with the antenna requirements of paragraph 15.203 of the FCC rules. The 2.4 GHz integral internal antennas are a type PCB trace PIFA (planar inverted-F antenna) residing on a RF circuit board with a realized gain of 2.7 dBi for antenna 1 and 4.6 dBi for antenna 2. The circuit board is then installed in a sealed plastic housing. The external antenna is a type dipole whip antenna that connects via a SMA connector on the outside of the housing. The gain for the external antenna is 3.0 dBi. Photos of each respective antenna are below.

Details of compliance by Preco electronics is as follows. Antennas 1 and 2 are sealed inside the unit and are therefore, inaccessible to the user. Antenna 3 on the device is only to be installed by a professional installer that is recommended by Preco electronics. Only the recommended SMA antenna shall be used (ANT-2.4-ID-1000-SMA or ANT-2.4-ID-2000-SMA). Use of other antennas may damage unit or cause disruptions in inter-unit communication.

The PRECOlink is available for commercial purchase only. The PRECOlink is not available for sale at retail outlets, to the general public, or by mail order. Only professional installers for Preco electronics authorized dealers shall be permitted to install the PRECOlink and the corresponding external antenna onto a machine or vehicle.

The PRECOlink is unique in that, professional installation is needed to pair two PRECOlink units together, one as a 'coordinator device' and the second, as an 'end device' unit. Professional installation is also required to ensure that The PRECOlink system correctly transfers CAN communication data throughout the system.

Antennas 1, 2, and 3 shown below.



SMA External Antenna (ANT-2.4-ID-2000-SMA)



Sincerely,

Donny Lloyd

Donny Lloyd
Compliance Specialist
R & D Engineer PRECO Electronics, Inc