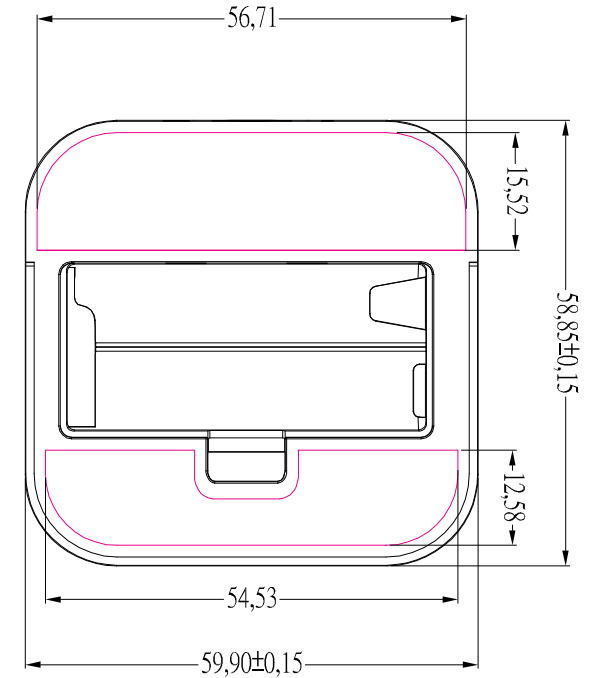
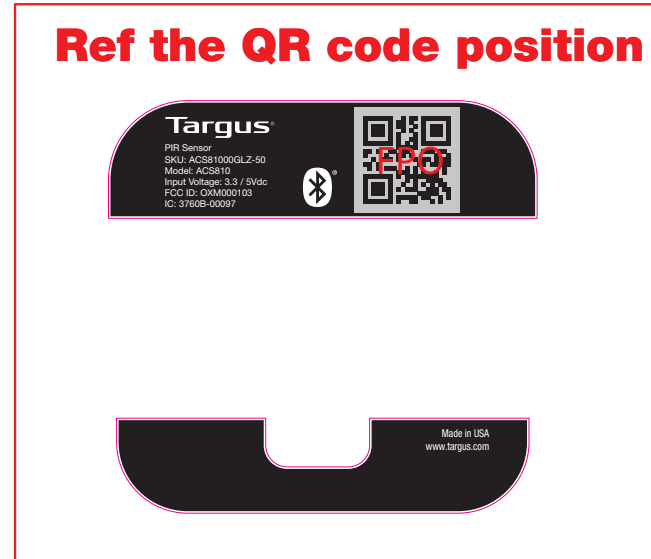
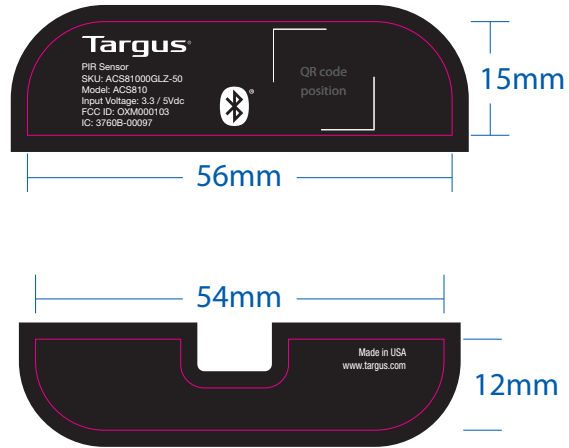


Label Material: TLSMI50 (50 Micron Silver Matt Pet Label Stock with coated matt PP on top  
Adhesive: Acrylic Solvent Base

ACS810GL

加粘50#反銀龍印黑色上霧膜



ACS810-PIR Sensor regulatroy label + QR code label  
Date: 10/18/19 Checked