

1. FEDERAL COMMUNICATIONS COMMISSION (FCC) STATEMENT

FCC Caution

This device complies with part 15 of the FCC Rules. Operation is subject to the following two conditions: (1) This device may not cause harmful interference, and (2) this device must accept any interference received, including interference that may cause undesired operation.

Any Changes or modifications not expressly approved by the party responsible for compliance could void the user's authority to operate the equipment.

Note: This equipment has been tested and found to comply with the limits for a Class B digital device, pursuant to part 15 of the FCC Rules. These limits are designed to provide reasonable protection against harmful interference in a residential installation. This equipment generates uses and can radiate radio frequency energy and, if not installed and used in accordance with the instructions, may cause harmful interference to radio communications. However, there is no guarantee that interference will not occur in a particular installation. If this equipment does cause harmful interference to radio or television reception, which can be determined by turning the equipment off and on, the user is encouraged to try to correct the interference by one or more of the following measures:

- Reorient or relocate the receiving antenna.
- Increase the separation between the equipment and receiver.
- Connect the equipment into an outlet on a circuit different from that to which the receiver is connected.
- Consult the dealer or an experienced radio/TV technician for help.

*RF warning for Mobile device:

This equipment complies with FCC radiation exposure limits set forth for an uncontrolled environment. This equipment should be installed and operated with minimum distance 20cm between the radiator & your body.

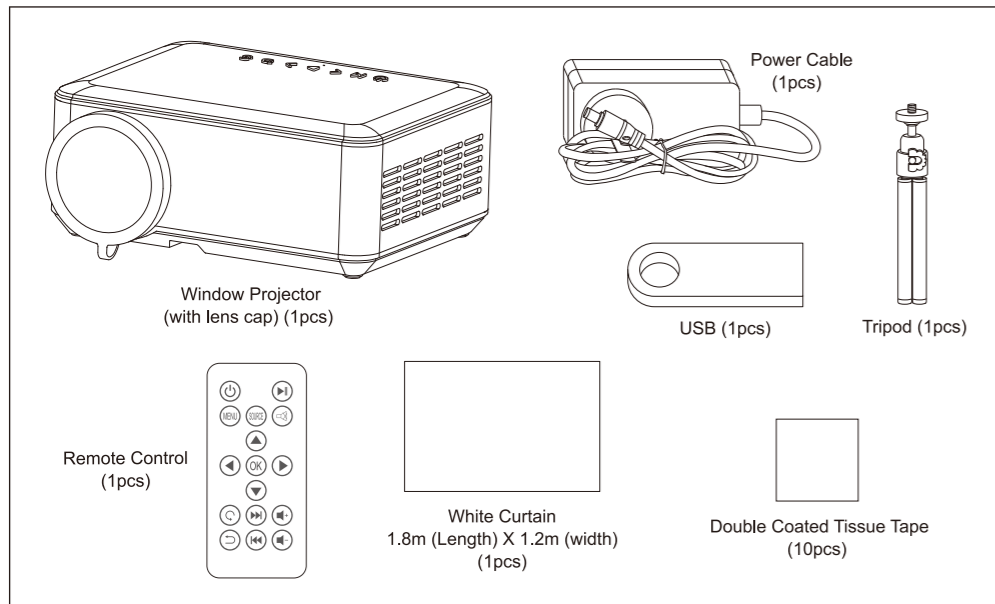
2. Warning

- (1) The projector with dangerous voltage and high temperature inside, please do not disassemble without permission.
- (2) Do not stare directly into the lens when the projector is working, hard light may hurt your eyes.
- (3) The lens might be break. When opening the lens cover, please take care to avoid breakage.
- (4) The left and right sides of the projector are air inlet and outlet, please do not block the air inlet and outlet, in order to avoid the internal temperature too high, and it may catch fire.

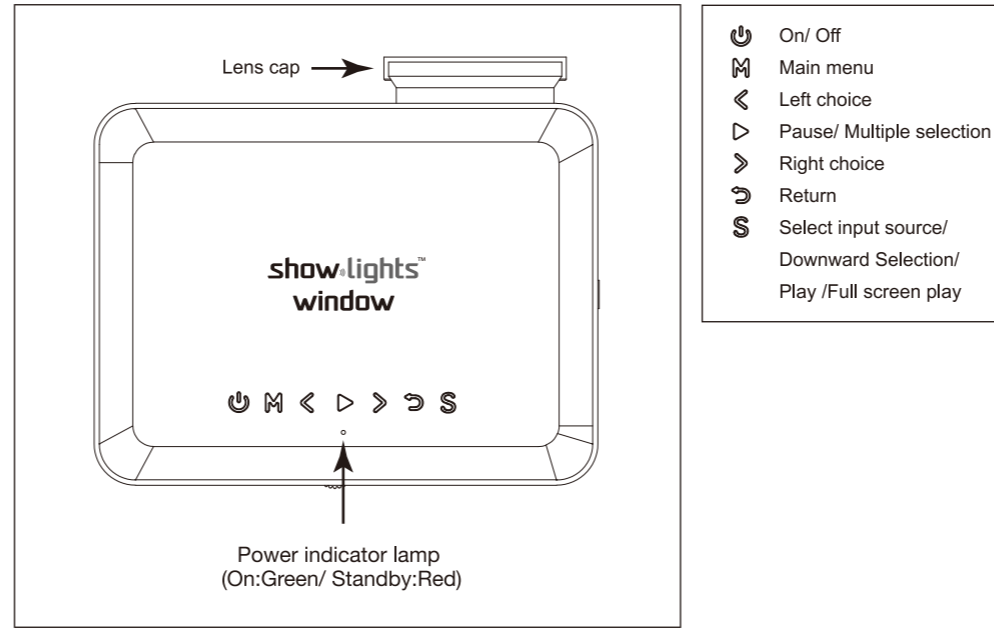
3. Specifications

Product Type	Show Light Window
Media Input	USB/HDMI
Native Resolution	1080P
Brightness Rating	1800
Projection Distance	1M-3M
VIDEO COUNT	30 fps
Bluetooth	Bluetooth Transmitter
Contrast Ratio	2000:1
Keystone Correction	±15°Vertical, keystone correction
Projection Size	33"-100"
Video	16 videos
Power input	12V / 4A
Orientation	Horizontal and Vertical
SPEAKERS	INTERNAL:2W
Screen Size	4*6 / 16:9
Menu Languages	Spanish, French and English
BLUETOOTH	YES
HDMI	YES

4. Accessories List

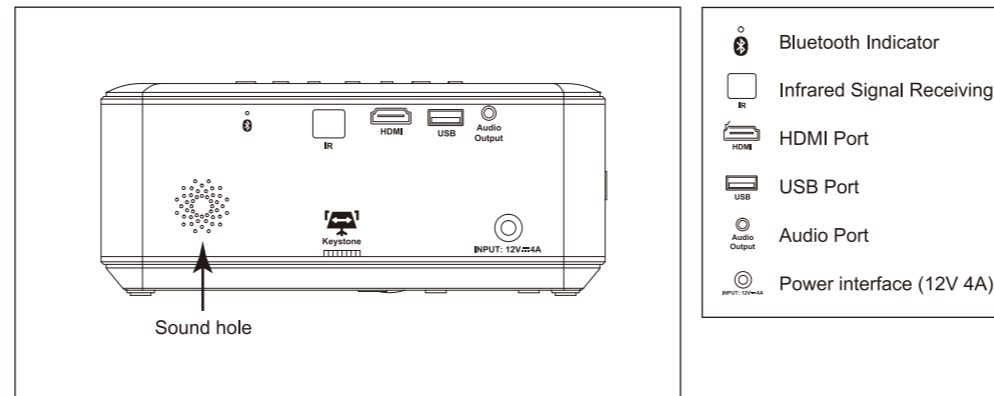


5. Button Function: Top



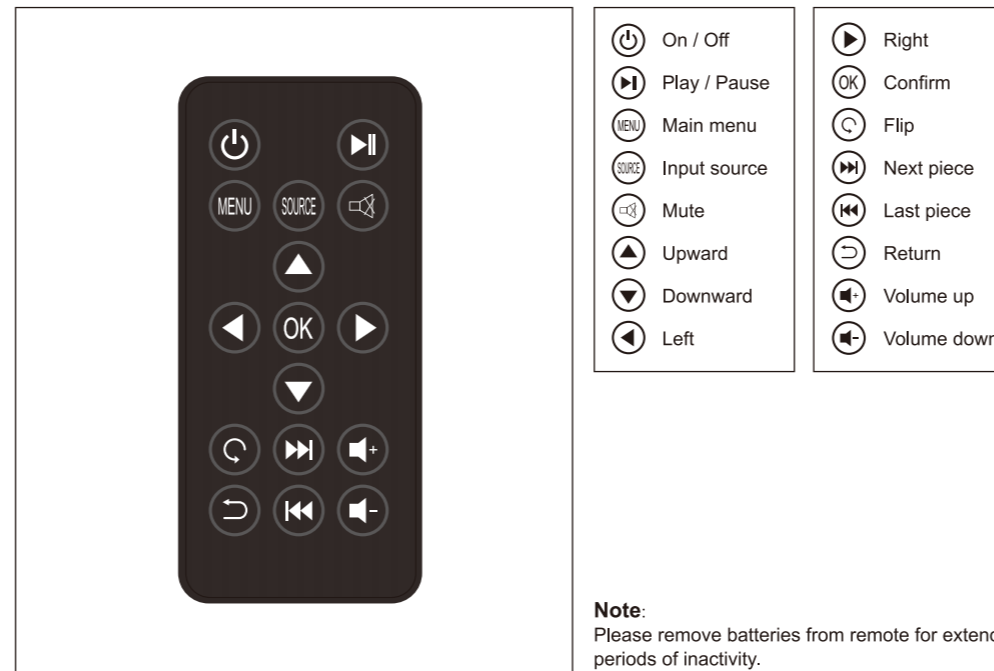
- Take off the lens cap before use.
- Press the On/Off button to turn on the Projector. The Power indicator will show red light for a short while. Then it will turn to green and the Projector will be ready to use.

6. Button Function: Back



- Selecting the source by inserting USB, or by connect HDMI cable with your computer or video.
- Connect the speaker through Bluetooth or connect the speaker through the audio cable to output audio.

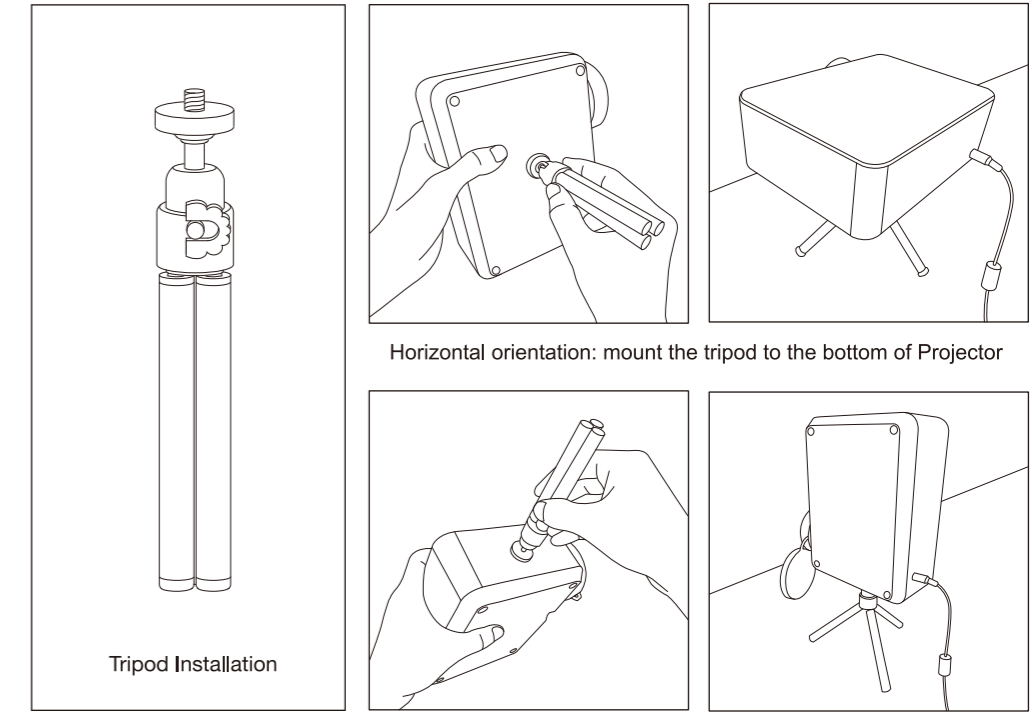
7. Remote Control



Instructions for the Use of Remote Controller

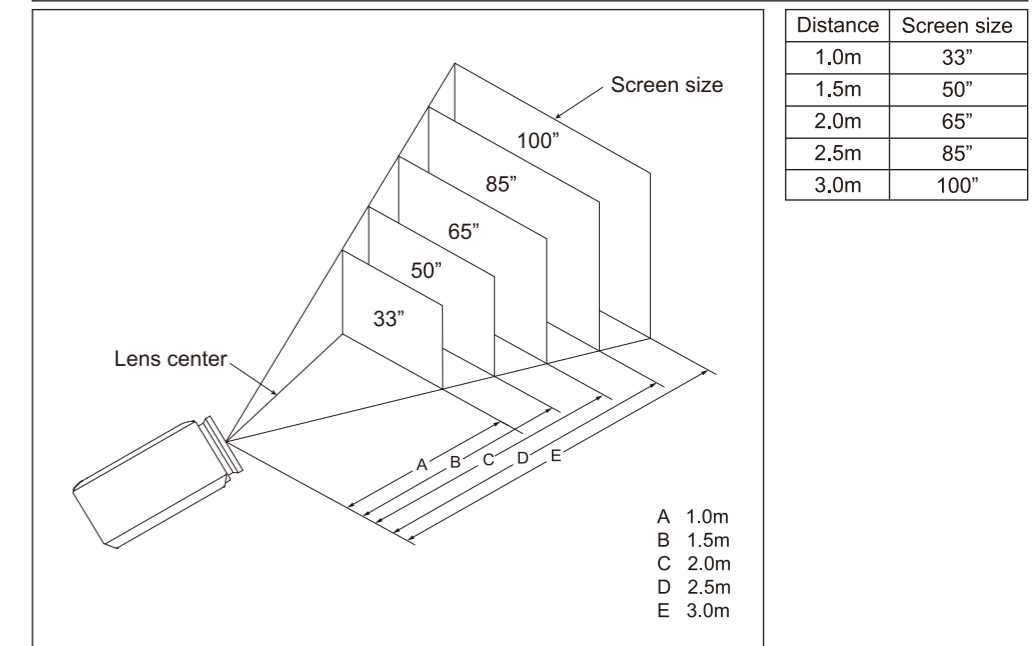
- Do not place anything between the remote control and the protector in case to block the signal.
- The furthest receiving distance is 5 meters from the front end of the remote control to the projector and within a 30-degree angle of the remote sensor on the projector.
- Do not put the remote control in hot or humid places, so as not to damage.
- Insulator of the battery compartment must be removed before using remote control.

8. Tripod Installation

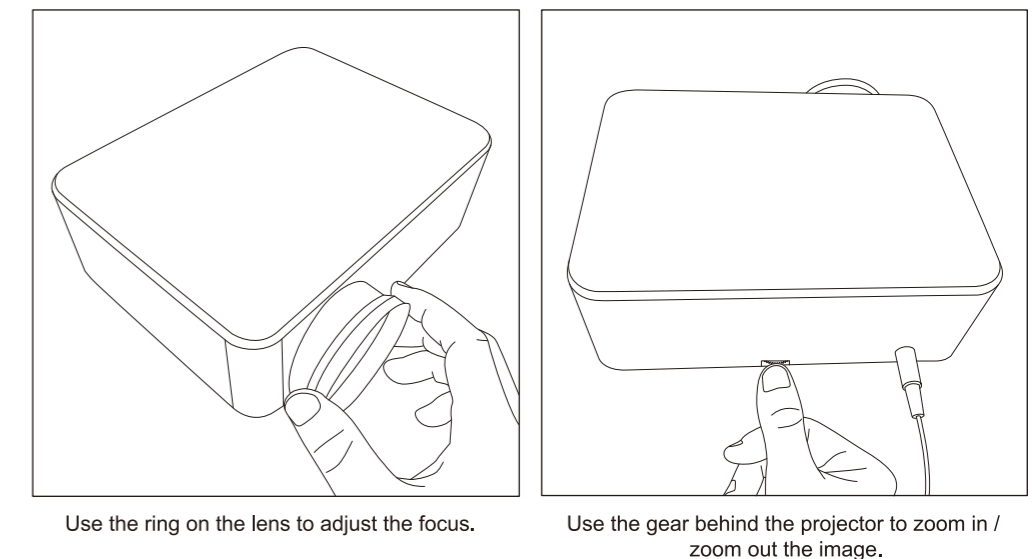


9. Projective Distance

Use the drawing below as a guide. The minimum size of the image can be approximately 33" measured diagonally when the projector is roughly 1 meter from the wall or screen. The largest image can be approximately 100" measured diagonally when the projector is roughly 3 meters from the wall or screen.



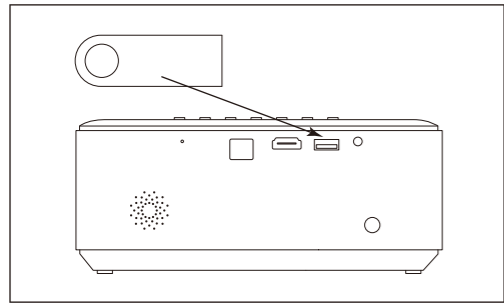
10. Adjust Image



11. Selecting USB Source



a. Turn on the projector.

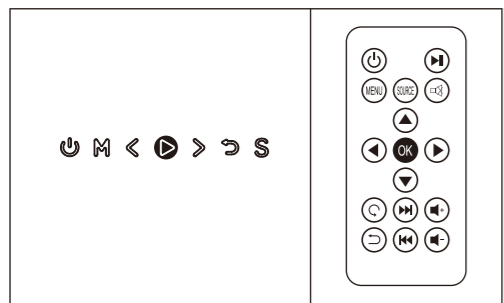


b. Insert USB as prompted.



c. Read USB Successfully

Tips:
USB Has Been Inserted.

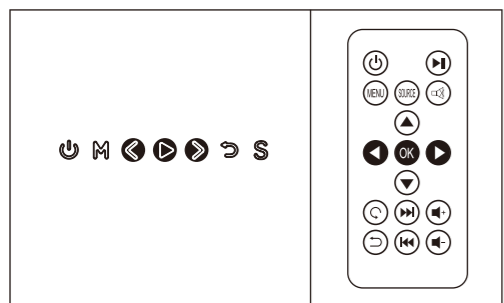


d. Entering playlist by pressing the ▷ button on the projector or by pressing the OK button on the remote control.



e. The projector will project your file list.

Video Theme:
Christmas/ Halloween/ New Year

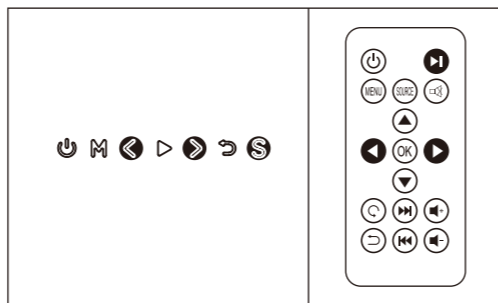


f. Select theme file by pressing the <> button on the projector or by pressing the ◀▶ button on the remote control.

g. Confirm selection by pressing the ▷ button on the projector or by pressing the OK button on the remote control.

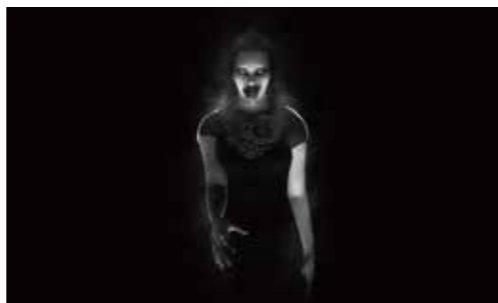


h. The projector will project your file list.



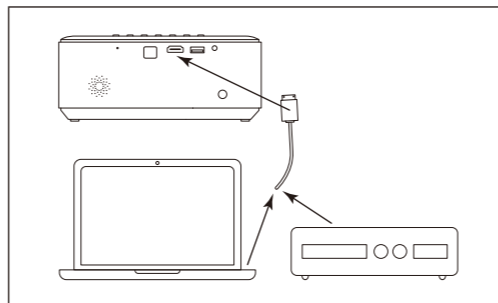
i. Select video by pressing the ▷ button on the projector or by pressing the ◀▶ button on the remote control.

j. Play video by pressing the S button on the projector or by pressing the ▶ button on the remote control.

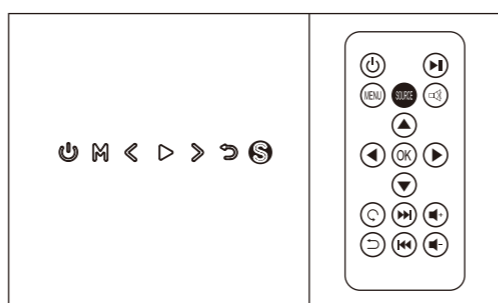


k. Play video by pressing the S button on the projector or by pressing the ▶ button on the remote control.

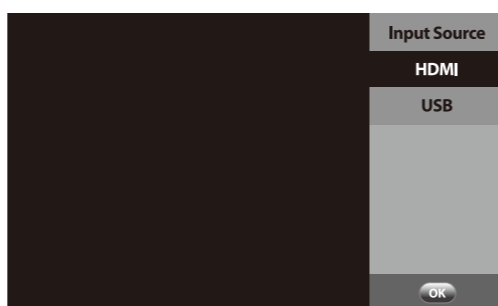
12. Selecting HDMI Source



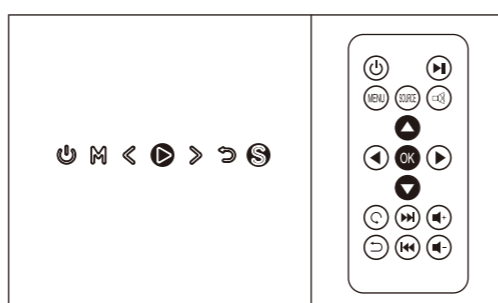
a. Connect the projector with your computer or video by HDMI cable.



b. Select the input source by pressing the S button on the projector or by pressing the SOURCE button on the remote control.

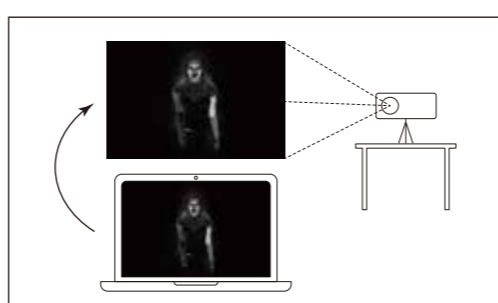


c. The projector will project your input source interface.



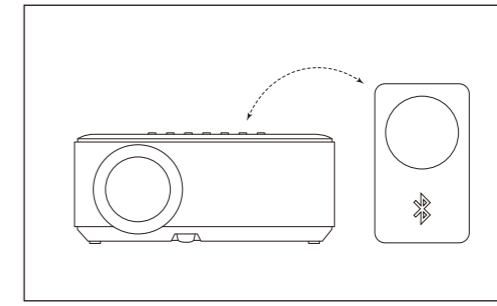
d. Select the input source by pressing the S button on the projector or by pressing the ▲▼ button on the remote control.

e. Confirm selection by pressing the ▷ button on the projector or by pressing the OK button on the remote control.



f. When the connection is successful, the video output is synchronized.

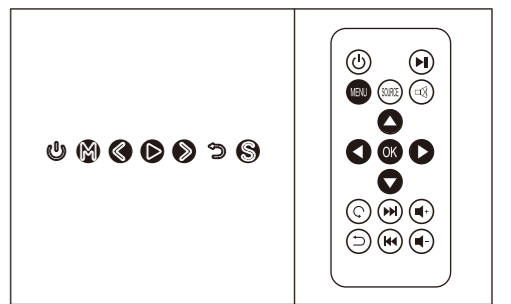
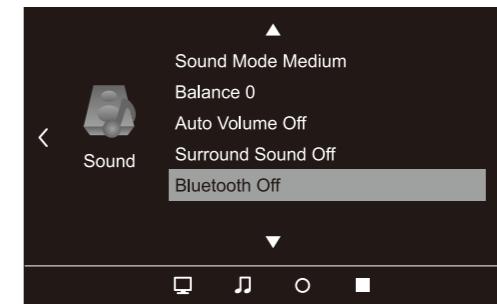
13. Audio output: Bluetooth



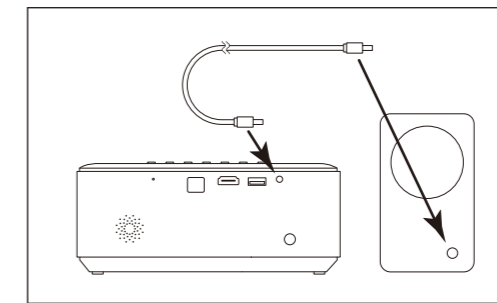
- Turn on the speaker Bluetooth.
- Turn on the projector Bluetooth. (See the instruction of turning on the Bluetooth as below.) The Bluetooth indicator lamp on the projector will blink rapidly if the Bluetooth of projector is on but not connected with the speaker yet.
- Wait a minute... They will match automatically.
- The Bluetooth indicator lamp will steady on while the connection is successful.

How to Turn Bluetooth On/Off?

- Enter setting function by pressing M on the projector or by pressing MENU on the remote control.
- Select Sound by pressing <> on the projector or by pressing ◀▶ on the remote control.
- Select Bluetooth Off by pressing S on the projector or by pressing ▲▼ on the remote control.
- Turn on Bluetooth by pressing ▷ on the projector or by pressing OK on the remote control.



14. Audio output: Audio connect



a. Connect the projector with your speaker by the audio cable of your speaker.

b. Real-time output of sound after successful connection.