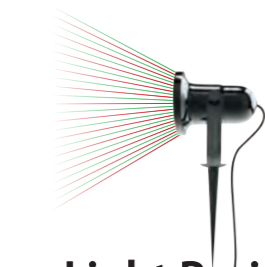


SIZE:165 x125(mm)  K:80  Pantone 158C

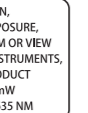


Scan & See Me!  
www.ishowlights.com

**show lights™**



## Laser Light Projector Instruction Manual



LASER RADIATION.  
AVOID DIRECT EYE EXPOSURE.  
DO NOT STARE INTO BEAM OR VIEW  
DIRECTLY WITH OPTICAL INSTRUMENTS.  
CLASS III LASER PRODUCT  
MAX OUTPUT: 5 mW  
WAVELENGTHS 532-635 NM

Version: 2017



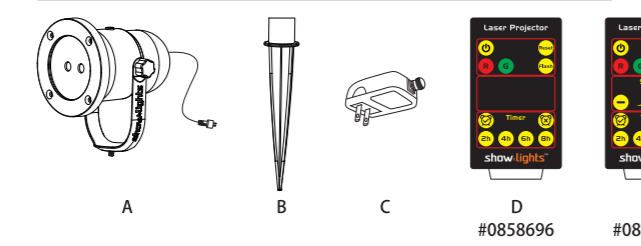
(Only Adapter)

Please only use manufacture  
provided power supply

INDOOR/OUTDOOR USE

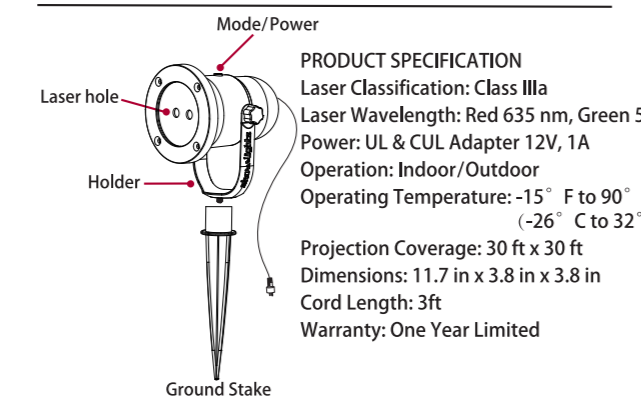
Made in China

### PACKAGE CONTENTS



| PART | DESCRIPTION                       | QUANTITY |
|------|-----------------------------------|----------|
| A    | Laser Light Projector With Holder | 1        |
| B    | Ground Stake                      | 1        |
| C    | Adapter                           | 1        |
| D    | Remote                            | 1        |

### PRODUCT DESCRIPTION



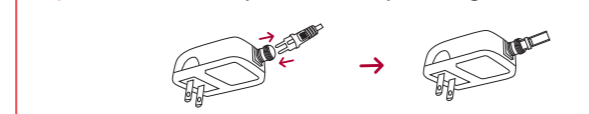
**PRODUCT SPECIFICATION**  
Laser Classification: Class IIIa  
Laser Wavelength: Red 635 nm, Green 532 nm  
Power: UL & CUL Adapter 12V, 1A  
Operation: Indoor/Outdoor  
Operating Temperature: -15° F to 90° F  
(-26° C to 32° C)  
Projection Coverage: 30 ft x 30 ft  
Dimensions: 11.7 in x 3.8 in x 3.8 in  
Cord Length: 3ft  
Warranty: One Year Limited

### #0858696 VS #0848093

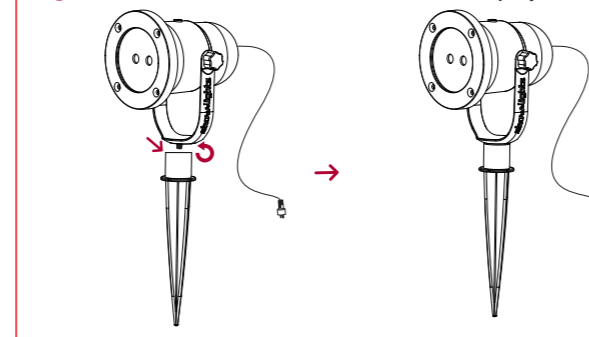
|          | COLOR       | MOTOR     | REMOTE | DEFAULT SETTINGS  |
|----------|-------------|-----------|--------|---|
| #0858696 | Red & Green | Moving    |        | Mode setting: Red & Green light on all the time.<br>Timer: 6h                       |
| #0848093 | Red & Green | No Moving |        | Mode setting: Red & Green light on all the time.<br>Timer: 6h<br>Motor with 2 gears |

### PRODUCT INSTRUCTIONS

1 Connect reverse-prevented adapter as figure shows.



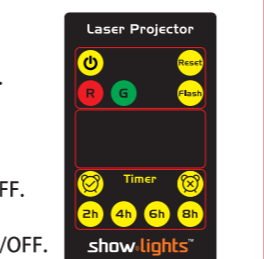
2 Screw the stake to the holder to secure the projector.



### #0858696 REMOTE CONTROL

Remote Control Instructions  
1. Remove insulating tape from the battery compartment before use.  
This remote is infrared and receiving distance allowance is 8 meters.

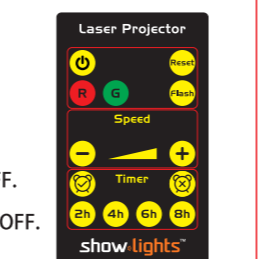
- On/Off switchover
- Resetting button, turn to Default Settings.
- are the buttons to change the color.  
is the button to control red lighting ON/OFF.  
is the button to control green lighting ON/OFF.
- Mode switchover: steady, flash would recover to the mode before power off.
- Press the button , show light laser projector will flash thrice. To select timer hours: 2, 4, 6, 8 hours on.
- Press the button , show light laser projector will flash thrice and timer function is canceled.



### #0848093 REMOTE CONTROL

Remote Control Instructions  
1. Remove insulating tape from the battery compartment before use.  
This remote is infrared and receiving distance allowance is 8 meters.

- is to turn on/off.
- Resetting button, turn to Default Settings.
- are the buttons to change the color.  
is the button to control red lighting ON/OFF.  
is the button to control green lighting ON/OFF.
- Mode Switchover: Steady, flash, would recover to the mode before power off.  
are buttons to control light moving mode. There are three mode options: SLOW, FAST and STATIC.  
is to control SLOW and STATIC mode.  
is to control FAST mode.
- Press the button , show light laser projector will flash thrice. To select timer hours: 2, 4, 6, 8 hours on.
- Press the button , show light laser projector will flash thrice and timer function is canceled.



### MEMORY FUNCTION/PROMPT FUNCTION

- Button Mode**
- When turn on the laser and short press the button to switchover to cycle the 6 patterns with Red on; Green on; Red and Green on; Red flash; Green flash; Red & Green flash.
  - Long press the button to turn off under working state.
  - Short press the button to turn on under power off function, would recover to the mode before power off.

a. Connect the power adapter to the laser light projector.  
The adapter input voltage is AC120V.

b. Timer Function

- Choose other timer function by remote.
- Choose the button of "cancel the timer function", the product would be on long time working state.

c. Remote Battery Installation: Please refer to the simple diagram of the remote control on the back battery cover.

- Slide battery cover off.
- Insert a "CR2025" (3 volt) battery.

### MEMORY FUNCTION

- Memory Function:
- When power off and turn on again, recover to the mode before turn on; (as : if before turn on is red and green mode with 1 gear, when setting timer for 2h , and turn it on and that would recover to the mode before turn on)
  - When turn off and turn on again, recover to the mode before turn on; (as: if before turn on is red and green mode with 1 gear, when setting timer for 2h, and turn it on and that would recover to the mode before power off)

### PROMPT FUNCTION

- #0858696 Prompt Function: Red and green quick flash thrice.
- Press the button to turn off.
  - Turn off by remote.
  - Remote timing related function button operation.
  - Single Laser(Red or Green), press the remote related color button.
- #0848093 Prompt Function: Red and green quick flash thrice.
- Press the button to turn off.
  - Turn off by remote.
  - Remote timing related function button operation.
  - Single Laser(Red or Green), press the remote related color button.
  - When motor speed too slow or too fast.
  - Motor speed rating: 3 kinds of moving speed: 0-1-2-3,0: Stop  
3: The fastest.

### SAFETY INSTRUCTIONS

#### SAFETY ATTENTION

- Turn off 30 minutes after working 6 hours to last the life time of product.  
It has excellent radiating ease . Put it far away from the flammable objects or liquids.
- Please use show light laser projector power adapter to support the light. if you need to change a new adapter, please check the parameter of our adapter before you buy a new one.

#### CAUTION

- Danger-laser radiation when open.
- Avoid direct exposure to beam.
- Avoid direct eye exposure.
- Laser radiation-do not stare into beam or view directly with optical instruments.
- The use of optical instruments with this product will increase eye hazard.
- Use of controls or adjustments or performance of procedures other than those specified herein may result in hazardous radiation.
- Do not point the show light laser projector to the airplane or up in the sky.

### FEDERAL COMMUNICATIONS COMMISSION (FCC) STATEMENT

**FCC Caution:** Changes or modifications not expressly approved by the party responsible for compliance could void the user's authority to operate the equipment.

#### FCC ID:OXGAL66RG

This device complies with part 15 of the FCC Rules. Operation is subject to the following two conditions: (1) This device may not cause harmful interference, and (2) this device must accept any interference received, including interference that may cause undesired operation.

For a Class B digital device or peripheral, the instructions furnished the user shall include the following or similar statement, placed in a prominent location in the text of the manual:

Note: This equipment has been tested and found to comply with the limits for a Class B digital device, pursuant to part 15 of the FCC Rules. These limits are designed to provide reasonable protection against harmful interference in a residential installation. This equipment generates, uses and can radiate radio frequency energy and, if not installed and used in accordance with the instructions, may cause harmful interference to radio communications. However, there is no guarantee that interference will not occur in a particular installation. If this equipment does cause harmful interference to radio or television reception, which can be determined by turning the equipment off and on, the user is encouraged to try to correct the interference by one or more of the following measures:

- Reorient or relocate the receiving antenna.
- Increase the separation between the equipment and receiver.
- Connect the equipment into an outlet on a circuit different from that to which the receiver is connected.
- Consult the dealer or an experienced radio/TV technician for help.

### INDUSTRY CANADA CONFORMITY STATEMENT

This device complies with Industry Canada licence-exempt RSS standard(s). Operation is subject to the following two conditions:

- This device may not cause interference, and
- This device must accept any interference, including interference that may cause undesired operation of the device.

#### CAN ICES-005(B)/NMB-005(B)