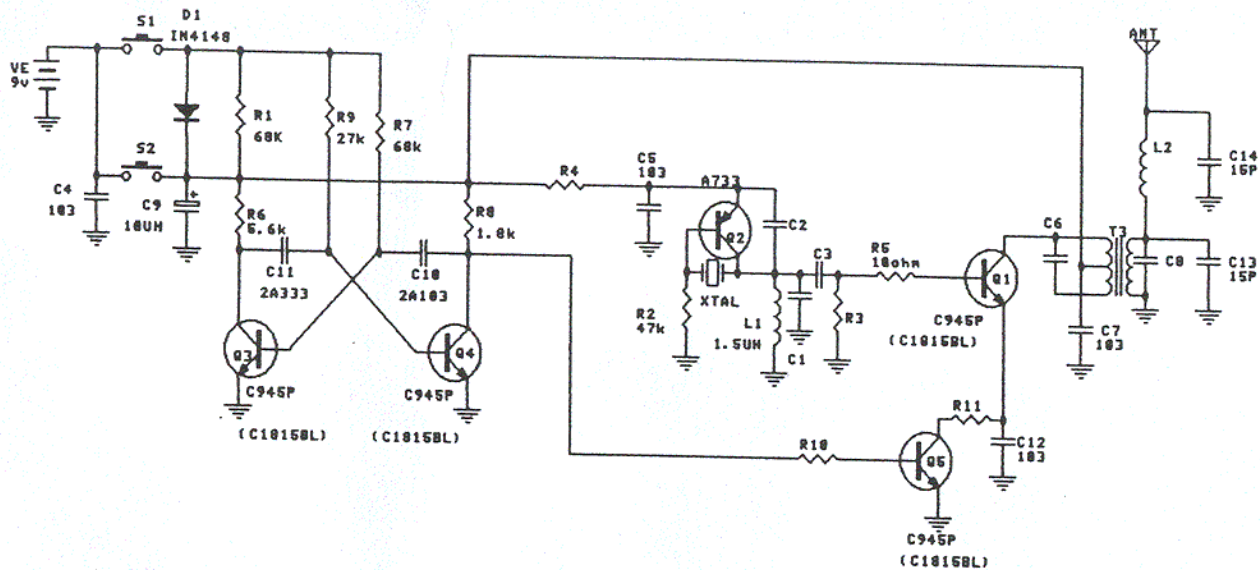


27.145MHZ

R3=680  
R4=220  
R10=4.7k  
R11=10  
L2=5.6UH

T3=7KB-0037-0  
C1=25p  
C2=33p  
C3=47p  
C6=33p  
C8=100p



RITVIK HOLDINGS INC.  
FCC ID: OX4 8914  
EXHIBIT # 3

Title		
8914-A.SCH		
Size	Number	Revision
A4		
Date: 13-MAR 1999	Sheet	of
File: A:\8914-A/1	Drawn	By: